

bourdon tube pressure gauges

DS 6" (150mm)



CE **ERC**
PED 2014/68/EU

They can be used with gaseous or liquid media which do not corrode copper alloy and which do not have high viscosity or do not cristalize.

1.01.1 - Standard Model

Design: EN837-1.

Safety designation: S1 as per EN 837-2.

Ranges: from 0...15 to 0...15000 *psi* (from 0...1 to 0...1000 bar or equivalent units).

Accuracy class: 1,6 as per EN 837-1.

Ambient temperature: -13...+149°F (-25...+65 °C).

Process fluid temperature:

13...+149°F (-25...+65 °C) for ranges ≤ 600 *psi* (40 bar);

-13...+ 248°F (-25...+120 °C) for ranges ≥ 1000 *psi* (60 bar).

Thermal drift: max ±0,4 %/10 K of range (starting from +68°F - 20°C).

Working pressure:

75% of FSV for static pressure;

66% of FSV for pulsating pressure.

Overpressure (max 15 min):

25% of FSV for ranges ≤ 1500 *psi* (100 bar);

15% of FSV for ranges more than 1500 *psi* (100 bar).

Protection degree: IP 44 as per IEC 529.

Socket material: copper alloy, internal restrictor Ø 0.03" (0,8 mm).

Bourdon tube: copper alloy for ranges ≤ 600 *psi* (40 bar); AISI 316L st.st. for ranges > 1000 *psi* (60 bar).

Case: stainless steel.

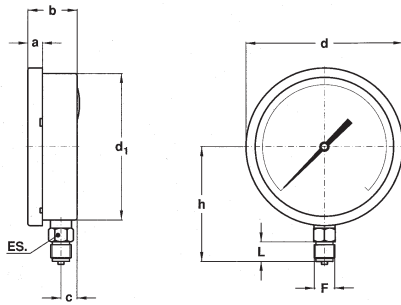
Ring: stainless steel, bayonet lock

Window: tempered glass.

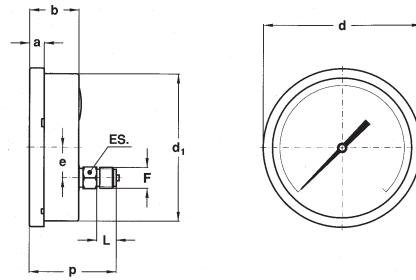
Movement: copper alloy.

Dial: aluminium, white with black markings

Pointer: non adjustable, aluminium, black



A - LOWER CONNECTION



D - BACK CONNECTION

| Mounting | F | a | b | c | d | d ₁ | e | h | p | L | ES | Weight |
|----------|-------------------------|-------|--------|--------|-------|----------------|-------|-------|-------|-------|-------|-----------|
| Lower | 41M - G 1/2 A | 0.59" | 1.98" | 0.16" | 6.33" | 5.88" | | 4.60" | | 0.78" | 0.86" | 2.44 lbs |
| | 43M - 1/2-14 NPT | (15) | (50,5) | (16,5) | (161) | (149,6) | | (117) | | (20) | (22) | (1,11 kg) |
| Back | 41M - G 1/2 A | 0.59" | 1.98" | | 6.33" | 5.88" | 1.22" | | 3.50" | 0.78" | 0.86" | 2.20 lbs |
| | 43M - 1/2-14 NPT | (15) | (50,5) | | (161) | (149,6) | (31) | | (89) | (20) | (22) | (1,0 kg) |

dimensions : inches (mm)

OPTIONS

| |
|--|
| B - "U"-clamp, for back connection pressure gauges |
| C - Back flange, for lower connection pressure gauges |
| E - Front flange, for back connection pressure gauges |
| K10 - Accuracy class 1,0% |
| L21 - Maximum pointer IP 44 on plexiglas window (1) |
| T32 - Safety glass window |

(1) Accuracy refers to the area free from the maximum pointer action.

"HOW TO ORDER" SEQUENCE

Section / Model /Case / Mounting / Diameter / Range / Process connection / Options
1 01 1 A G 41M B, C, E
D 43M K10...T32

