

capsule pressure gauges DS 4", 6" (100-150mm)



PED 2014/68/UE

For measurement of low pressure and vacuum within the range -600...0 to 0...600 mbar, for use on gas and dry air.

2.09.1 - Standard Model MN9 DS 4" (100mm)

Design: EN 837-3.

Ranges: from 0...10 to 0...240 INWC (from 0...25 to 0...600 mbar), vacuum and combined vacuum/pressure (or equivalent units).

Accuracy class: 1.6 as per EN 837-3.

Ambient temperature: -13...+149 °F (-25...+65 °C).

Process fluid temperature: +149°F (+65 °C).

Working pressure: max 75% of FSV.

Over pressure limit: 25% of FSV.

Protection degree: IP 55 as per EN 60529/IEC 529.

Socket material: stainless steel.

Elastic element: copper alloy capsule.

Case: stainless steel.

Ring: stainless steel, bayonet lock.

Window: tempered glass.

Movement: copper alloy.

Dial: aluminium, white with black markings.

Pointer: aluminium.

Zero adjustment: internal, on dial.

2.10.1 - "All stainless steel" Model MN9/18 DS 4", 6" (100-150mm)

Ranges: from 0...10 to 0...240 INWC (from 0...25 to 0...600 mbar), vacuum and combined vacuum/pressure, or equivalent units for DS 4" (100mm);

from 0...1 to 0...240 INWC (from 0...2,5 to 0...600 mbar), vacuum and combined vacuum/pressure, or equivalent units for DS 6" (150mm).

Process fluid temperature: +212 °F (+100 °C).

Socket material: AISI 316L st.st.

Elastic element: AISI 316 Ti (1.4571) st.st. capsule.

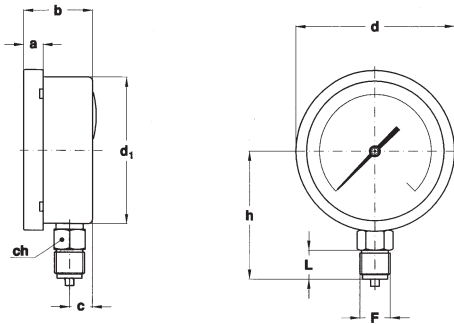
Other features: as MN9 DS 4" (100mm).

0...2,5 mbar (1)
0...4 mbar (1)
0...6 mbar (1)
0...10 mbar (1)
0...16 mbar (1)
0...25 mbar
0...40 mbar
0...60 mbar
0...100 mbar
0...160 mbar
0...250 mbar
0...400 mbar
0...600 mbar

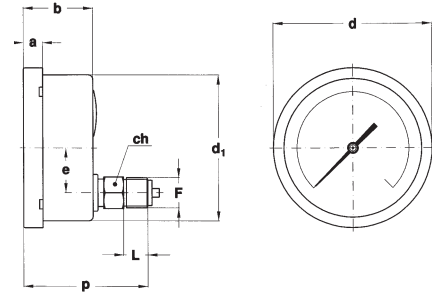
-2,5...0 mbar (1)
-4...0 mbar (1)
-6...0 mbar (1)
-10...0 mbar (1)
-16...0 mbar (1)
-25...0 mbar
-40...0 mbar
-60...0 mbar
-100...0 mbar
-160...0 mbar
-250...0 mbar
-400...0 mbar
-600...0 mbar

-1...1,5 mbar (1)
-1,5...1 mbar (1)
-1...3 mbar (1)
-2...2 mbar (1)
-3...1 mbar (1)
-2...4 mbar (1)
-4...2 mbar (1)
-3...3 mbar (1)
-4...6 mbar (1)
-6...4 mbar (1)
-5...5 mbar (1)
-6...10 mbar (1)
-10...6 mbar (1)
-10...15 mbar
-15...10 mbar
-15...25 mbar
-25...15 mbar
-20...40 mbar
-40...20 mbar
-40...60 mbar
-60...40 mbar
-60...100 mbar
-100...60 mbar
-100...150 mbar
-150...100 mbar
-150...250 mbar
-250...150 mbar
-200...400 mbar
-400...200 mbar

(1) for DS 6" (150mm)



A - LOWER CONNECTION



D - BACK CONNECTION

Mounting	DN	F	a	b	c	d	d ₁	e	h	p	L	ch	Weight : lbs (kg)
Lower	E 4" (100mm)	41M G 1/2 A	0.51 (13)	1.91 (48,6)	0.63 (16,1)	4.35 (110,6)	3.97 (101)		3.39 (86)		0.78 (20)	0.87 (22)	1.14 (0,52)
Lower	G 6" (150mm)		0.59 (15)	1.96 (50,5)	0.65 (16,5)	6.33 (161)	5.88 (149,6)		3.39 (86)		0.78 (20)	0.87 (22)	2.20 (1)
Back	E 4" (100mm)	43M 1/2-14 NPT	0.51 (13)	1.91 (48,6)		4.35 (110,6)	3.97 (101)	1.22 (31)		3.42 (86,8)	0.78 (20)	0.87 (22)	1.25 (0,57)
Back	G 6" (150mm)		0.59 (15)	1.96 (50,5)		6.33 (161)	5.88 (149,6)	1.22 (31)		3.42 (86,8)	0.78 (20)	0.87 (22)	1.98 (0,9)

dimensions : mm

OPTIONS

MODEL	MN9	MN9/18
C40 - AISI 316L st. st. case and ring		◆
K10 - Accuracy class 1 (only for ≥ 25 mbar range)		◆
MIX - Stainless steel movement		◆
B - "U"-clamp, for back connection pressure gauges	◆	◆
C - Back flange, for lower connection pressure gauges	◆	◆
E - Front flange, for back connection pressure gauges	◆	◆
T32 - Window glass	◆	◆

"HOW TO ORDER" SEQUENCE

Section / Model / Case / Mounting / Diameter / Range / Process connection / Options

2 09 1 A E 41M B...E
10 D G 43M C40...T32

Copyright © Nuova Fima srl. All rights reserved. Any part of this publication should not be reproduced without a written Nuova Fima's srl approval