

**bourdon tube pressure gauges  
all stainless steel construction,  
with microswitch,  
DS 4" (100mm)**



**CE** Compliance to requirements of  
LVD 2014/35/EU - PED 2014/68/EU

**EAC**

These instruments are designed for applications in the chemical, petrochemical industries, conventional power stations. They safety control the automatic regulation of hydraulic and pneumatic equipment.

### 1.74.1 - Standard Model

**Design:** EN837-1.

**Safety designation:** S1 as per EN 837-2.

**Ranges:** from 0...15 to 0...10000 psi (from 0...1 to 0...600 bar or equivalent units).

**Accuracy:** class 2,5 as per EN 837-1.

**Ambient temperature:** -13...+149 °F (-25...+65 °C).

**Process fluid temperature:** -40...+302 °F (-40...+150 °C).

**Working pressure:** max 75% of the FSV.

**Overpressure:** not suitable.

**Protection degree:** IP 44 as per EN 60529/IEC 529.

**Electrical specifications:** N. 1 SPDT microswitch.

**Contact setting:** between 10% and 75% of FSV.

**Differential:** fixed, between 2% and 4% of FSV.

**Socket material:** AISI 316L st.st.

**Elastic element:** AISI 316L st.st.

**Case:** stainless steel.

**Ring:** stainless steel, bayonet lock.

**Window:** plastic.

**Movement:** stainless steel.

**Dial:** aluminium, white with black markings.

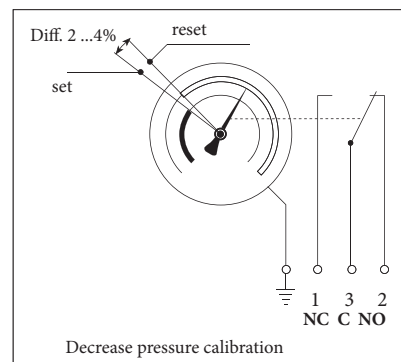
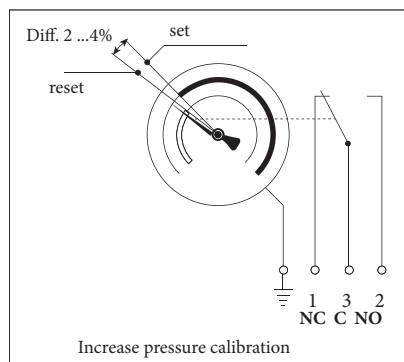
**Pressure pointer:** aluminium, black.

**Set pointer:** aluminium, red.

**Adjusting key:** plastic, removable.

**Junction box:** glass fibre reinforced poliammid with cable exit  $\varnothing$  0.23...0.35" (6...9 mm) as per EN 175301-803 (Ex DIN 43650).

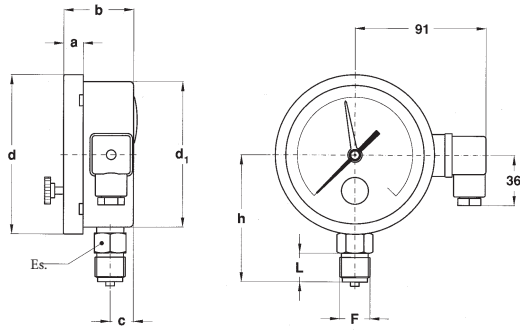
### MICROSWITCH: SETTING



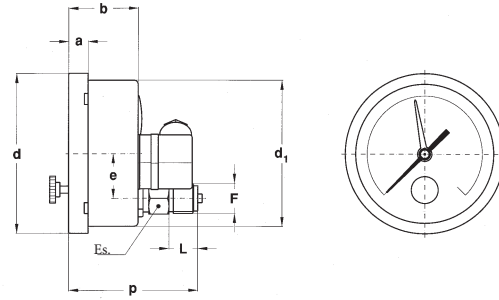
**bourdon tube pressure gauges, all stainless steel construction  
with microswitch, DS 4" (100mm)**

**MG574**

RC3 - 05/14



**A - LOWER CONNECTION**



**D - BACK CONNECTION**

Mounting	F	a	b	c	d	d <sub>1</sub>	e	h	p	L	Es.	Weight
Lower	41M - G 1/2 A	0.51" (13)	1.90" (48,5)	0.62" (16)	4.35" (110,6)	3.97" (101)	1.22" (31)	3.48" (88,5)	3.65" (90)	0.78" (20)	0.86" (22)	1.32 lbs (0,6 kg)
Back												

dimensions : inches (mm)

**RATING LOAD**

Volt	DC	AC	Inductive load
220	0,3 A	4 A	4 A
110	0,4 A	4 A	4 A
48	4 A	4 A	4 A
24	4 A	4 A	4 A

**WIRING**

Wiring	Junction box	Cable
NC	Contact N.°1	Brown
NO	Contact N.°2	Black
C	Contact N.°3	Blue
Ground	Ground	Yellow-Green

**OPTIONS**

<b>RSV</b> - Under-glass adjusting (IP 55 protection degree)
<b>D30</b> - Differential between 6% and 10% of FSV (for ranges ≥ 60 psi - 2,5 bar)
<b>S06</b> - Brass restrictor ø 0.015" (0,4 mm) for ranges ≤ 600 psi (40 bar)
<b>T40</b> - Calibration for pressure decrease

**"HOW TO ORDER" SEQUENCE**

Section / Model / Case / Mounting / Diameter / Range / Process connection / Options  
**1 74 1 A E 41M RSV...T40**  
**D**

