

## bourdon tube pressure gauges anti-vibration heavy duty version DS 4" (100mm)



PED 2014/68/EU

Instruments designed for use on power units, pumps, hydro-cleaning machines, presses, engine compressors, turbines, diesel engines, chemical, petrochemical and refrigerating plants and on machines and equipment where pulsating pressures or mechanical vibrations are apparent. They can be used with gaseous or liquid media which do not corrode copper alloy and which do not have high viscosity or do not cristalize.

### 1.10.1 - Standard Model

**Design:** EN 837-1.

**Safety designation:** S1 as per EN 837-2.

**Ranges:** from 0...15 to 0...15000 PSI (from 0...1 to 0...1000 bar or other equivalent units).

**Accuracy class:** 1,0 as per EN 837-1.

**Ambient temperature:** -40...+149 °F (-40...+65 °C)

**Process fluid temperature:**

-13...+212 °F (-25...+100 °C) for ranges ≤ 600 psi (40 bar);

-13...+248 °F (-25...+120 °C) per campi ≥ 600 psi (40 bar).

**Thermal drift:** ±0,4 %/10 °C of range (starting from 68°F - 20°C).

**Working pressure:**

100% of FSV for static pressure;

90% of FSV for pulsating pressure.

**Overpressure limit:** 30% of FSV (max 12 h).

**Protection degree:** IP 55 as per IEC 529.

**Socket material:**

copper alloy with internal restrictor Ø 0.03" (0,8 mm).

**Bourdon tube:**

copper alloy for ranges ≤ 600 psi (40 bar);

AISI 316L st.st.for ranges > 600 psi (40 bar).

**Case:** stainless steel.

**Ring:** stainless steel, bayonet lock

**Window:** tempered glass

**Movement:** copper.

**Dial:** aluminium, white with black markings

**Pointer:** not adjustable, aluminium ,black

### 1.10.2 - Fillable Model

**Protection degree:** IP 67 as per IEC 529.

**Other features:** as Standard Model.

### 1.10.3 - Filled Model

**Damping liquid:** glycerine 98% or silicon oil.

**Ambient temperature:**

+32...+149 °F (0...+65 °C) with glycerine filling;

-40...+149 °F (-40...+65 °C) with silicon oil filling.

**Process fluid temperature:** max +149°F (+65 °C).

**Protection degree:** IP 67 as per IEC 529.

**Other features:** as Standard Model

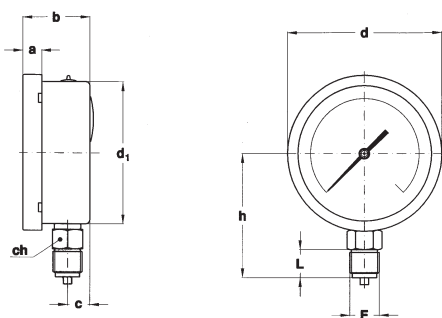
# bourdon tube pressure gauge

## anti-vibration heavy duty version, DS 4" (100mm)

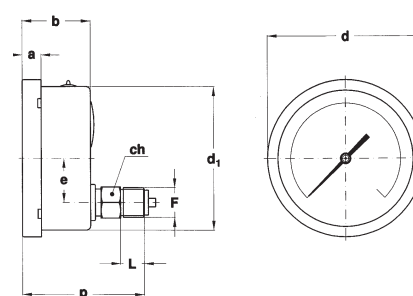
# MGS10

RC6 - 03/14

IN ORDER TO IMPROVE THEIR PRODUCTION, MESSRS. NUOVA FIMA RESERVE THE RIGHT TO THEMSELVES TO MAKE ALL THE MODIFICATIONS THAT THEY DEEM INDISPENSABLE AT ANY TIME. UPDATED DATA-SHEETS ARE AVAILABLE ON SITE: [www.nuovafima.com](http://www.nuovafima.com)



**A - LOWER CONNECTION**



**D - BACK CONNECTION**

| Mounting | F                | a     | b      | c      | d       | d <sub>1</sub> | e     | h     | p      | ch    | L     | Weight (1) |
|----------|------------------|-------|--------|--------|---------|----------------|-------|-------|--------|-------|-------|------------|
| Lower    | 41M - G 1/2 A    | 0.51" | 1.91"  | 0.63"  | 4.35"   | 3.97"          |       | 3.38" |        | 0.86" | 0.78" | 1.14 lbs   |
|          | 43M - 1/2-14 NPT | (13)  | (48,6) | (16,1) | (110,6) | (101)          |       | (86)  |        | (22)  | (20)  | (0,52 kg)  |
| Back     | 41M - G 1/2 A    | 0.51" | 1.91"  |        | 4.35"   | 3.97"          | 1.22" |       | 3.41"  | 0.86" | 0.78" | 1.25 lbs   |
|          | 43M - 1/2-14 NPT | (13)  | (48,6) |        | (110,6) | (101)          | (31)  |       | (86,8) | (22)  | (20)  | (0,57 kg)  |

dimensions : inches (mm)

(1) add 0.72 lbs (0,33 kg) when filled

### OPTIONS

| Model  | standard | fillable | filled |
|--|----------|----------|--------|
| <b>B</b> - "U"-clamp, for back connection pressure gauges      | ◆        | ◆        | ◆      |
| <b>C</b> - Back flange, for lower connection pressure gauges   | ◆        | ◆        | ◆      |
| <b>E</b> - Front flange, for back connection pressure gauges   | ◆        | ◆        | ◆      |
| <b>L22</b> - Maximum pointer IP 67 on polycarbonate window (1) |          | ◆        | ◆      |
| <b>P01</b> - Suitable for filling with silicone                |          | ◆        |        |
| <b>S10</b> - Silicone filling                                  |          |          | ◆      |
| <b>T32</b> - Safety glass window                               | ◆        | ◆        | ◆      |

(1) Accuracy refers to the area free from the maximum pointer action.

### "HOW TO ORDER" SEQUENCE

Section / Model / Case / Mounting / Diameter / Range / Process connection / Options

1    10    1    A    E    41M    B, C, E  
                   2    D    43M    L22...T32  
                   3

