

TZIDC-200, TZIDC-210, TZIDC-220

Digital positioner



Digital positioner for the positioning of pneumatically controlled final control elements.

TZIDC-200
TZIDC-210
TZIDC-220

Introduction

The TZIDC-200, TZIDC-210, TZIDC-220 is an electronically configurable positioner with communication capabilities designed for mounting on pneumatic linear or rotary actuators. Fully automatic determination of the control parameters and adaptation to the positioner allow for considerable time savings as well as optimum control behavior.

Additional Information

Additional documentation on TZIDC-200, TZIDC-210, TZIDC-220 is available for download free of charge at www.abb.com/positioners. Alternatively simply scan this code:



Table of contents

1 Safety	4	6 Installation	22
General information and instructions.....	4	Safety instructions.....	22
Warnings.....	4	Mechanical mounting.....	23
Intended use.....	5	General.....	23
Improper use.....	5	Mounting on linear actuators.....	23
Notes on data safety.....	5	Mounting on rotary actuator.....	26
Warranty provisions.....	5	7 Electrical connections	28
Manufacturer's address.....	5	Safety instructions.....	28
2 Use in potentially explosive atmospheres	6	TZIDC-200 terminal assignment.....	29
General requirements.....	6	TZIDC-210, TZIDC-220 terminal assignment.....	30
Commissioning, Installation.....	6	Electrical data for inputs and outputs.....	31
Notes for operation.....	6	Option modules.....	32
Use, operation.....	6	Connection on the device.....	33
Maintenance, repair.....	7	8 Pneumatic Connections	35
Preconditions for safe operation of the positioner.....	8	Information on double acting actuators with spring-	
Cable gland.....	8	return mechanism.....	35
TZIDC-200 – Ex relevant specification.....	8	Connection on the device.....	35
ATEX – ‘Ex d’ type of protection.....	8	Air supply.....	36
ATEX – ‘Ex i’ type of protection.....	9	9 Commissioning	36
IECEX – ‘Ex d’ type of protection.....	10	TZIDC-200.....	36
IECEX – ‘Ex i’ type of protection.....	11	Operating modes.....	37
FM / CSA.....	12	TZIDC-210, -220.....	37
TZIDC-210 – Ex relevant specification.....	12	Setting the bus address.....	38
ATEX – ‘Ex d’ type of protection.....	12	Request information.....	38
ATEX – ‘Ex i’ type of protection.....	13	Operating modes.....	39
IECEX – ‘Ex d’ type of protection.....	13	Standard automatic adjustment.....	39
IECEX – ‘Ex i’ type of protection.....	14	Standard automatic adjustment for linear actuators*	
FM / CSA.....	15	39
TZIDC-220 – Ex relevant specification.....	16	Standard automatic adjustment for rotary actuators*	
ATEX – ‘Ex d’ type of protection.....	16	39
ATEX – ‘Ex i’ type of protection.....	17	Sample parameters.....	40
IECEX – ‘Ex d’ type of protection.....	18	Setting the mechanical position indication.....	40
IECEX – ‘Ex i’ type of protection.....	18	Setting the mechanical limit switch with proximity	
FM / CSA.....	19	switches.....	41
3 Design and function	20	Setting the mechanical limit switch with 24 V	
Schematic diagram.....	20	microswitches.....	41
Principle of operation.....	20	10 Operation	42
4 Product identification	21	Safety instructions.....	42
Name plate.....	21	Parameterization of the device.....	42
5 Transport and storage	22	Menu levels.....	43
Inspection.....	22	HART® Parameter Overview.....	44
Transporting the device.....	22	Parameter descriptions.....	45
Storing the device.....	22	TZIDC-210, -220 parameter overview.....	48
Ambient conditions.....	22	Parameter descriptions.....	49
Returning devices.....	22	11 Diagnosis / error messages	51
		TZIDC error codes.....	51
		TZIDC-210, TZIDC-220 error codes.....	53
		Alarm codes.....	54
		Message codes.....	55

12 Maintenance	56
13 Repair	56
Returning devices.....	56
14 Recycling and disposal	57
15 Additional documents	57
16 Appendix	58
Return form	58
FM installation drawing No. 901176.....	59
FM installation drawing No. 901265	63

1 Safety

General information and instructions

These instructions are an important part of the product and must be retained for future reference.

Installation, commissioning, and maintenance of the product may only be performed by trained specialist personnel who have been authorized by the plant operator accordingly. The specialist personnel must have read and understood the manual and must comply with its instructions.

For additional information or if specific problems occur that are not discussed in these instructions, contact the manufacturer.

The content of these instructions is neither part of nor an amendment to any previous or existing agreement, promise or legal relationship.

Modifications and repairs to the product may only be performed if expressly permitted by these instructions.

Information and symbols on the product must be observed.

These may not be removed and must be fully legible at all times.

The operating company must strictly observe the applicable national regulations relating to the installation, function testing, repair and maintenance of electrical products.

Warnings

The warnings in these instructions are structured as follows:

DANGER

The signal word '**DANGER**' indicates an imminent danger. Failure to observe this information will result in death or severe injury.

WARNING

The signal word '**WARNING**' indicates an imminent danger. Failure to observe this information may result in death or severe injury.

CAUTION

The signal word '**CAUTION**' indicates an imminent danger. Failure to observe this information may result in minor or moderate injury.

NOTICE

The signal word '**NOTICE**' indicates possible material damage.

Note

'**Note**' indicates useful or important information about the product.

Intended use

Positioning of pneumatically controlled actuators; designed for mounting on linear and rotary actuators.

The device is designed for use exclusively within the stated values on the name plate and in the data sheet.

- The maximum operating temperature must not be exceeded.
- The maximum ambient temperature must not be exceeded.
- The housing's rating must be observed during operation.

Improper use

The following are considered to be instances of improper use of the device:

- For use as a climbing aid, for example for mounting purposes.
- For use as a bracket for external loads, for example as a support for piping, etc.
- Material application, for example by painting over the housing, name plate or welding/soldering on parts.
- Material removal, for example by spot drilling the housing.

Notes on data safety

This product is designed to be connected to and to communicate information and data via a network interface.

It is operator's sole responsibility to provide and continuously ensure a secure connection between the product and your network or any other network (as the case may be).

Operator shall establish and maintain any appropriate measures (such as but not limited to the installation of firewalls, application of authentication measures, encryption of data, installation of anti-virus programs, etc.) to protect the product, the network, its system and the interface against any kind of security breaches, unauthorized access, interference, intrusion, leakage and / or theft of data or information.

ABB Automation Products GmbH and its affiliates are not liable for damages and / or losses related to such security breaches, any unauthorized access, interference, intrusion, leakage and / or theft of data or information.

Warranty provisions

Using the device in a manner that does not fall within the scope of its intended use, disregarding this manual, using underqualified personnel, or making unauthorized alterations releases the manufacturer from liability for any resulting damage. This renders the manufacturer's warranty null and void.

Manufacturer's address

ABB Automation Products GmbH Measurement & Analytics

Schillerstr. 72

32425 Minden

Germany

Tel: +49 571 830-0

Fax: +49 571 830-1806

Customer service center

Tel: +49 180 5 222 580

Email: automation.service@de.abb.com

2 Use in potentially explosive atmospheres

General requirements

- The ABB positioner has been approved only for appropriate and intended use in standard industrial atmospheres. Any breach of this rule leads to a cancellation of warranty and manufacturer's responsibility!
- Make sure that only devices which comply with the types of protection relevant to the applicable zones and categories are installed.
- All electric equipment has to be suited for the respective intended use.
- In potentially explosive atmospheres, assembly may be conducted only in compliance with locally applicable installation regulations. The following conditions have to be observed (incomplete):
 - Assembly and maintenance may only be conducted if there is no explosion hazard in the area and you have a hot work permit.
 - The TZIDC-200, TZIDC-210, TZIDC-220 may be operated in a fully mounted and intact housing only.

Commissioning, Installation

The ABB positioner has to be mounted in a major system. Depending on the degrees of IP-protection, an interval for cleaning the equipment (dust settlement) has to be defined. Strict care has to be taken that only devices which comply with the types of protection relevant to the applicable zones and categories is installed. When installing the device, the locally applicable installation regulations, such as EN 60079-14, must be observed.

Other important facts to be observed:

- The electric circuits of the positioner must be put into operation in all zones by persons qualified in accordance with TRBS 1203. The details on the type label are mandatory for doing this.
- The device has been designed in accordance with IP 65 (optionally IP 66) and must be protected accordingly against adverse ambient conditions.
- The EC Type Examination Certificate has to be taken into account, including any special conditions defined therein.
- The device may only be used in accordance with its intended use.
- The device may only be connected when de-energized.
- The potential equalization of the system must be established in accordance with installation regulations applicable in the respective country (VDE 0100, part 540, IEC 364-5-54).
- Circulating currents must not be guided through the housing!
- Make sure that the housing is properly installed and that its IP rating has not been compromised.

Notes for operation

- The positioner must be integrated in the local potential equalization system.
- Only either intrinsically safe or non intrinsically safe circuits may be connected. A combination is not permitted.
- If the positioner is operated with non intrinsically safe circuits, later use for the intrinsic safety type of protection is not permitted.

Use, operation

The TZIDC-200, TZIDC-210, TZIDC-220 is approved for proper and intended use only. In case of non-compliance, the warranty and manufacturer's liability do no longer apply!

- Only those auxiliary components which fulfill all the requirements of European and national standards may be used in potentially explosive atmospheres.
- The ambient conditions specified in the operating instruction must be strictly followed.
- The TZIDC-200, TZIDC-210, TZIDC-220 is approved for proper and intended use in standard industrial atmospheres only. Where aggressive substances are present in the air, the manufacturer has to be consulted.

Maintenance, repair

Definition of terms according to IEC 60079-17:

Maintenance

Defines a combination of actions performed to maintain or restore the condition of an item such that the item meets the requirements of the relevant specification and performs its required functions.

I –Analyzer module without electronics module (power supply):

Defines an action which involves careful inspection of an item (either without disassembly or with partial disassembly, as required) supplemented by measurements, aimed at achieving a reliable conclusion regarding the condition of the item.

Visual inspection

Defines an inspection which identifies defects which are visible to the naked eye, such as missing screws, without the use of access equipment and tools.

Close inspection

Defines an inspection which encompasses the aspects covered by a visual inspection and in addition, identifies defects such as loose screws, which can only be detected with the use of access equipment (e.g. steps) and tools.

Detailed inspection

Defines an inspection which encompasses the aspects covered by a close inspection and in addition, identifies defects, such as loose connections, which can only be detected by opening the housing and / or by using tools and test devices, as needed.

- Maintenance and exchange work may be conducted by qualified specialists only, i.e., qualified personnel in accordance with TRBS 1203 or similar.
- Only those auxiliary components which fulfill all the requirements of European and national guidelines and regulations may be used in potentially explosive atmospheres.
- Maintenance works that require disassembly of the system may only be performed in non-hazardous areas. If that is not possible, however, the usual precautions have to be ensured according to local regulations.
- Components may only be replaced by original spare parts which are therefore approved for use in potentially explosive atmospheres.
- The device must be regularly cleaned when used in potentially explosive atmospheres. The intervals must be defined by the operator in compliance with the ambient conditions present at the operating location.
- After all maintenance and repair work has been completed, any barriers and plates removed for that purpose must be put back in their original place.
- The flameproof joints differ from the tables of IEC 60079-1 and may be repaired by the manufacturer only.

Activity	Visual inspection (every 3 months)	Close inspection (every 6 months)	Detailed inspection (every 12 months)
Visual inspection of the positioner for integrity, removal of dust deposits	●		
Inspection of electric installation for integrity and proper operation			●
Inspection of the entire installation		Responsibility of the operator	

... 2 Use in potentially explosive atmospheres

Preconditions for safe operation of the positioner

DANGER

Risk of explosion due to hot parts

Hot parts inside the device pose an explosion hazard.

- Never open the device immediately after switch-off.
- A waiting time of at least four minutes should be observed before opening the device.

When using in hazardous areas, observe the following points:

- Observe the specification and special conditions applicable for the device in accordance with the relevant valid certificate.
- Manipulation of the device in any form by the user is not permitted. Only the manufacturer or an explosion protection specialist may modify the device
- The IP 65 / NEMA 4x IP rating is only achieved if the splash guard is screwed in place. Operating the unit without splash guard cap is prohibited.
- The device may only be operated using instrument air that is free from oil, water and dust. The use of flammable gas, oxygen, or oxygen-enriched gas is not permitted.

Cable gland

Limited temperature range of the M20 × 1.5 plastic cable gland for explosion protection variants.

The permissible ambient temperature range of the cable gland is -20 to 80 °C (-4 to 176 °F). When using the cable gland, make sure that the ambient temperature is within this range. The cable gland must be installed in the housing with a tightening torque of 3.8 Nm. When installing the connection of the cable gland and cable, check for tightness to ensure that the required IP rating is met.

TZIDC-200 – Ex relevant specification

ATEX – ‘Ex d’ type of protection

Ex marking

Marking	II 2 G Ex d IIC T4/T5/T6
Type Examination Test Certificate	DMT 02 ATEX E 029 X
Type	TZIDC-200 Doc. 901132
Device class	II 2 G
Standards	EN 60079-0:2012 EN 60079-1:2014

Temperature Data

Device group II 2 G

Temperature class	Ambient temperature Ta
T4	-40 to 85 °C
T5	-40 to 80 °C
T6	-40 to 65 °C

Electrical Data

Voltage	≤ 30 V AC/DC
Current	≤ 20 mA

Pneumatic data

Supply pressure	Standard version ≤ 6 bar
	Marine version ≤ 5.5 bar

Special conditions

- Before final installation, the operator needs to decide on the use of the device, either
 - A) as a device with 'Ex i' intrinsically safe type of protection or
 - B) as a device with 'Ex d' type of protection
 and permanently mark the selected type of use on the name plate. Specific conditions of the surrounding environment, such as chemical corrosion, must be taken into account when affixing the permanent mark. Only the manufacturer must change the selected type of use following a re-examination
- Medium strength adhesive must be used to secure the cable entries and line entries and stop them from twisting and self-loosening
- In the case of high torsional forces, the bearing sleeves must be replaced due to wear on the shaft for the position pickoff (significant control deviation).
- If the positioner is operated at an ambient temperature above 60 °C (140 °F) or below -20 °C (-4 °F), make sure to use cable entries and lines suited for an operating temperature corresponding to the maximum ambient temperature increased by 10 K or corresponding to the minimum ambient temperature, respectively.
- The dimensions of the flameproof joint of this equipment partly exceed the minimum values required by EN 60079-1:2014 or IEC 60079-1:2014 or partly down-scale the maximum values required therein. All inquiries relating to dimensions must be directed to the manufacturer
- Screws that comply with the minimum requirements of the A2-70, A2-80 or 10.12 quality grades must be used to close the flameproof enclosure.

ATEX – 'Ex i' type of protection

Ex marking	
Marking	II 2 G Ex ia IIC T6 or T4 Gb II 2 G Ex ib IIC T6 or T4 Gb
Type Examination Test Certificate	TÜV 04 ATEX 2702 X
Type	TZIDC-200
Device class	II 2 G
Standards	EN 60079-0 EN 60079-11

Temperature Data

Device group II 2 G	
Temperature class	Ambient temperature Ta
T4	-40 to 85 °C
T5	-40 to 50 °C
T6*	-40 to 40 °C*

* When using the 'Limit Monitor' plug-in module in temperature class T6, the maximum permissible ambient temperature range is -40 to 35 °C (-40 to 95 °F).

Electrical Data

With the intrinsically safe Ex ib IIC / Ex ia IIC types of ignition protection, only for connection to a certified intrinsically safe circuit.

Current circuit (terminal)	Electrical information (maximum values)	
Signal circuit (+11 / -12)	U _i = 30 V I _i = 320 mA P _i = 1.1 W	C _i = 6.6 nF L _i = negligibly small
Contact input (+81 / -82)	U _i = 30 V I _i = 320 mA P _i = 1.1 W	C _i = 4.2 nF L _i = negligibly small
Switch output (+83 / -84)	U _i = 30 V I _i = 320 mA P _i = 500 mW	C _i = 4.2 nF L _i = negligibly small
Mechanical digital feedback * (Limit: +51 / -52), (Limit: +41 / -42)	For maximum values, see EC type examination certificate number PTB 00 ATEX 2049 X Proximity switches manuf. by Pepperl & Fuchs	
Plug-in module for digital position feedback (Limit1: +51 / -52), (Limit2: +41 / -42)	U _i = 30 V I _i = 320 mA P _i = 500 mW	C _i = 3.7 nF L _i = negligibly small

* When using the SJ2_S1N (NO) proximity switch, the positioner may only be used at an ambient temperature range from -25 to 85 °C (-13 to 185 °F).

... 2 Use in potentially explosive atmospheres

... TZIDC-200 – Ex relevant specification

Current circuit (terminal)	Electrical information (maximum values)
Plug-in module for analog position feedback (+31 / -32)	$U_i = 30 \text{ V}$ $C_i = 6.6 \text{ nF}$ $I_i = 320 \text{ mA}$ $L_i = \text{negligibly small}$ $P_i = 1.1 \text{ W}$
Local communication interface (LCI)	Only for connection to a programming device outside the hazardous area (see special conditions).

Special conditions

- Before final installation, the operator needs to decide on the use of the device, either
 A) as a device with 'Ex i' intrinsically safe type of protection or
 B) as a device with 'Ex d' type of protection and permanently mark the selected type of use on the name plate. Specific conditions of the surrounding environment, such as chemical corrosion, must be taken into account when affixing the permanent mark. Only the manufacturer must change the selected type of use following a re-examination
- Variants that, according to declarations, also meet the requirements for the 'flameproof enclosure' type of protection may no longer be used as 'intrinsically safe' if they have been previously used as a flameproof type of protection
- The local communication interface (LCI) may only be operated at $U_m \leq 30 \text{ V DC}$ outside the hazardous area.

IECEX – 'Ex d' type of protection

Ex marking	
Marking	Ex d IIC T4/T5/T6
Type Examination Test Certificate	IECEX BVS 07.0030X
Type	TZIDC-200

Temperature Data

Temperature class	Ambient temperature T_a
T4	-40 to 85 °C
T5	-40 to 80 °C
T6	-40 to 65 °C

Electrical Data

Voltage	$\leq 30 \text{ V AC/DC}$
Current	$\leq 20 \text{ mA}$

Pneumatic data

Supply pressure	Standard version $\leq 6 \text{ bar}$ Marine version $\leq 5.5 \text{ bar}$
-----------------	--

Special conditions

- The positioner is designed for a maximum permissible ambient temperature range of 40 to 85 °C
- Variants that, according to declarations, also meet the requirements for the 'intrinsically safe' type of protection may no longer be used as 'intrinsically safe' if they have been previously used as a flameproof type of protection
- If the positioner is operated at an ambient temperature above 60 °C (140 °F) or below -20 °C (-4 °F), make sure to use cable entries and lines suited for an operating temperature corresponding to the maximum ambient temperature increased by 10 K or corresponding to the minimum ambient temperature, respectively.

IECEX – ‘Ex i’ type of protection

Ex marking	
Marking	Ex ia IIC T6 or T4 Gb Ex ib IIC T6 or T4 Gb
Type Examination Test Certificate	IECEX TUN 04.0015X
Type	TCIDC-200
Standards	IEC 60079-0 IEC 60079-11 IEC 60079-15

Temperature Data

Temperature class	Ambient temperature T_a
T4	-40 to 85 °C
T6*	-40 to 40 °C*

* When using the ‘Limit Monitor’ plug-in module in temperature class T6, the maximum permissible ambient temperature range is -40 to 35 °C (-40 to 95 °F).

Electrical Data

In intrinsically safe explosion protection types Ex ib IIC / Ex ia IIC, only for connection to a certified intrinsically safe circuit.

Current circuit (terminal)	Electrical information (maximum values)
Signal circuit (+11 / -12)	$U_i = 30 \text{ V}$ $C_i = 6.6 \text{ nF}$ $I_i = 320 \text{ mA}$ $L_i = \text{negligibly small}$ $P_i = 1.1 \text{ W}$
Contact input (+81 / -82)	$U_i = 30 \text{ V}$ $C_i = 4.2 \text{ nF}$ $I_i = 320 \text{ mA}$ $L_i = \text{negligibly small}$ $P_i = 1.1 \text{ W}$
Switch output (+83 / -84)	$U_i = 30 \text{ V}$ $C_i = 4.2 \text{ nF}$ $I_i = 320 \text{ mA}$ $L_i = \text{negligibly small}$ $P_i = 500 \text{ mW}$
Local communication interface (LCI)	Only for connection to a programming device outside the hazardous area (see special conditions).

The following modules may be operated as an option:

Current circuit (terminal)	Electrical information (maximum values)
Plug-in module for digital position feedback (+51 / -52) (+41 / -42)	$U_i = 30 \text{ V}$ $C_i = 3.7 \text{ nF}$ $I_i = 320 \text{ mA}$ $L_i = \text{negligibly small}$ $P_i = 500 \text{ mW}$
Plug-in module for analog position feedback (+31 / -32)	$U_i = 30 \text{ V}$ $C_i = 6.6 \text{ nF}$ $I_i = 320 \text{ mA}$ $L_i = \text{negligibly small}$ $P_i = 1.1 \text{ W}$

Special conditions

- Devices must only be connected to circuits in zone 2 if they are suitable for operation in zone 2 potentially explosive atmospheres and for the conditions prevailing at the installation location (manufacturer's declaration or certificate from an inspection authority).
- For the ‘Limit monitor with proximity switches’ circuit, measures outside of the device must be implemented to prevent the rated voltage from being up-scaled by more than 40 % due to transient disturbances.
- It is only permissible to connect, disconnect, and switch live circuits during installation or maintenance, or for the purpose of carrying out repairs. Note: It is considered very unlikely that a potentially hazardous atmosphere would be present in zone 2 at the same time that installation or maintenance or repair work was being carried out.
- Only non-flammable gases must be used for pneumatic power supply.
- Only suited cable entries must be used that meet the requirements of EN 60079-15.
- The local communication interface (LCI) for the TZIDC and the TZIDC-200 may only be operated at $U_m \leq 30 \text{ V GS}$ outside the hazardous area.

... 2 Use in potentially explosive atmospheres

... TZIDC-200 – Ex relevant specification

FM / CSA

FM Approval HLC 8/02 3010829	
Explosion-proof	enclosure 4X; T5, max. 82 °C CL I; Div 1; Grp. C-D
Intrinsic safety	enclosure 4X; T5, max. 82 °C CL I, II, III; Div 1; Grp. A-B-C-D-E-F-G
Non-Incendive	enclosure 4X ; T4, max. 85 °C CL I; Div 2; Grp. A-B-C-D CL II, III; Div 2; Grp. F-G
Dust-ignition-proof	enclosure 4X; T5, max. 82 °C CL II, III; Div 1; Grp. E-F-G
CSA Certification 1393920	
Explosion-proof	enclosure 4X; T5, max. 85 °C CL I; Div 1; Grp. C-D CL II; Div 1; Grp. E-F-G CL III
Intrinsic safety	enclosure 4X; T5, max. 82 °C CL I; Div 1; Grp. A-B-C-D CL II; Div 1; Grp. E-F-G CL III

TZIDC-210 – Ex relevant specification

ATEX – ‘Ex d’ type of protection

Ex marking	
Marking	II 2 G Ex d IIC T4/T5/T6
Type Examination Test Certificate	DMT 02 ATEX E 029 X
Type	TZIDC-210 Doc. 901132
Device class	II 2 G
Standards	EN 60079-0 EN 60079-1

Special conditions

- Before final installation, the operator needs to decide on the use of the device, either
 - A) as a device with ‘Ex i’ intrinsically safe type of protection or
 - B) as a device with ‘Ex d’ type of protection and permanently mark the selected type of use on the name plate. Specific conditions of the surrounding environment, such as chemical corrosion, must be taken into account when affixing the permanent mark. Only the manufacturer must change the selected type of use following a re-examination
- Variants that, according to declarations, also meet the requirements for the ‘intrinsically safe’ type of protection may no longer be used as ‘intrinsically safe’ if they have been previously used as a flameproof type of protection
- Secure cable entries against twisting and loosening by using a (medium-strength) securing adhesive.
- In the case of high torsional forces, the bearing sleeves must be replaced due to wear on the shaft for the position pickoff (significant control deviation).
- If the positioner is operated at an ambient temperature above 60 °C (140 °F) or below –20 °C (–4 °F), make sure to use cable entries and lines suited for an operating temperature corresponding to the maximum ambient temperature increased by 10 K or corresponding to the minimum ambient temperature, respectively.
- Screws that comply with the minimum requirements of the A2-70, A2-80 or 10.12 quality grades must be used to close the flameproof enclosure.

ATEX – ‘Ex i’ type of protection

Ex marking	
Marking	II 2 G Ex ia IIC T6 or T4 Gb II 2 G Ex ib IIC T6 or T4 Gb II 3 G Ex ic IIC T6 or T4 Gc
Type Examination Test Certificate	TÜV 02 ATEX 1831 X
Type	TZIDC-210
Standards	EN 60079-0 EN 60079-11

Temperature Data

Device group II 2 G	
Temperature class	Ambient temperature Ta
T4	-40 to 85 °C
T5	-40 to 50 °C
T6*	-40 to 40 °C*

* When using the plug-in module for ‘Digital Feedback’ in Temperature Class T6, the maximum permissible ambient temperature range is -40 to 35 °C (-40 to 95 °F).

Electrical data for ia / ib / ic for groups IIB / IIC

With the intrinsically safe Ex i IIC type of ignition protection, only for connection to a certified FISCO power supply unit or a barrier, i.e., a power supply unit with maximum values according to the following table:

Current circuit (terminal)	Electrical information (maximum values)	
Signal circuit (+11 / -12)	$U_i = 24 \text{ V}$ $I_i = 250 \text{ mA}$ $P_i = 1.2 \text{ W}$	$C_i < 5 \text{ nF}$ $L_i < 10 \text{ } \mu\text{H}$ Characteristic curve = linear

With the intrinsically safe Ex i IIC type of protection, only for connection to a certified intrinsically safe circuit with maximum values:

Current circuit (terminal)	Electrical information (maximum values)
Mechanical digital feedback (+51 / -52) (+41 / -42)	For maximum values, see EC type examination certificate number PTB 00 ATEX 2049 X

Special conditions

- Before final installation, the operator needs to decide on the use of the device, either
 - as a device with ‘Ex i’ intrinsically safe type of protection or
 - as a device with ‘Ex d’ type of protection and permanently mark the selected type of use on the name plate. Specific conditions of the surrounding environment, such as chemical corrosion, must be taken into account when affixing the permanent mark. Only the manufacturer must change the selected type of use following a re-examination
- Variants that, according to declarations, also meet the requirements for the ‘flameproof enclosure’ type of protection may no longer be used as ‘intrinsically safe’ if they have been previously used as a flameproof type of protection

IECEx – ‘Ex d’ type of protection

Ex marking	
Marking	Ex d IIC T4/T5/T6
Type Examination Test Certificate	IECEx BVS 07.0030X, Issue No.: 0
Type	TZIDC-200
Standards	IEC 60079-0 IEC 60079-1

Temperature Data

Temperature class	Ambient temperature Ta
T4	-40 to 85 °C
T5	-40 to 80 °C
T6	-40 to 65 °C

... 2 Use in potentially explosive atmospheres

... TZIDC-210 – Ex relevant specification

IECEX – ‘Ex i’ type of protection

Ex marking	
Marking	Ex ia IIC T6 or T4 Gb
Type Examination Test Certificate	IECEX TUN 04.0015X
Shown as	5
Type	TZIDC-210
Standards	IEC 60079-0 IEC 60079-11

Temperature Data

Temperature class	Ambient temperature T_a
T4	-40 to 85 °C
T6*	-40 to 40 °C*

* When using the plug-in module for ‘Digital Feedback’ in Temperature Class T6, the maximum permissible ambient temperature range is -40 to 35 °C (-40 to 95 °F).

Electrical data for ia/ib/ic for groups IIB/IIC

With the intrinsically safe Ex i IIC type of ignition protection, only for connection to a certified FISCO power supply unit or a barrier, i.e., a power supply unit with maximum values according to the following table

Current circuit (terminal)	Electrical information (maximum values)	
Signal circuit (+11 / -12)	$U_i = 24 \text{ V}$ $I_i = 250 \text{ mA}$ $P_i = 1.2 \text{ W}$	$C_i < 5 \text{ nF}$ $L_i < 10 \text{ } \mu\text{H}$ Characteristic curve = linear

Special conditions

- The local communication interface (LCI) may only be operated at $U_m \leq 30 \text{ V GS}$ outside the potentially explosive atmosphere.
- Devices must only be connected to circuits in zone 2 if they are suitable for operation in zone 2 potentially explosive atmospheres and for the conditions prevailing at the installation location (manufacturer's declaration or certificate from an inspection authority).
- For the ‘Mechanical digital feedback’ circuit, measures outside of the device must be implemented to prevent the rated voltage from being up-scaled by more than 40 % due to transient disturbances.
- It is only permissible to connect, disconnect, and switch live circuits during installation or maintenance, or for the purpose of carrying out repairs. Note: It is considered very unlikely that a potentially hazardous atmosphere would be present in zone 2 at the same time that installation or maintenance or repair work was being carried out.
- Only non-flammable gases must be used for pneumatic power supply.
- Only suited cable entries must be used that meet the requirements of EN 60079-15.

FM / CSA**FM Approvals****TZIDC-210 positioner, Model V18349-a014b3cd3ef**

IS/I,II,III/1/ABCDEFG/T6,T5,T4

Ta = 40 °C, 55 °C, 85 °C-901265 Entity, FISCO

Entity and FISCO Parameters

Terminals	Type	Groups	Parameters	
+11 / -12	Entity	A-G	$U_{max.} = 24 \text{ V}$	$C_i = 2.8 \text{ nF}$
			$I_{max.} = 250 \text{ mA}$	$L_i = 7.2 \text{ } \mu\text{H}$
			$P_i = 1.2 \text{ W}$	
FISCO	A-G	A-G	$U_{max.} = 17.5 \text{ V}$	$C_i = 2.8 \text{ nF}$
			$I_{max.} = 360 \text{ mA}$	$L_i = 7.2 \text{ } \mu\text{H}$
			$P_i = 2.52 \text{ W}$	
FISCO	A-G	C-G	$U_{max.} = 17.5 \text{ V}$	$C_i = 2.8 \text{ nF}$
			$I_{max.} = 380 \text{ mA}$	$L_i = 7.2 \text{ } \mu\text{H}$
			$P_i = 5.32 \text{ nF}$	
+51 / -52	Entity	A-G	$U_{max.} = 16 \text{ V}$	$C_i = 60 \text{ nF}$
			$I_{max.} = 20 \text{ mA}$	$L_i = 100 \text{ } \mu\text{H}$
+41 / -42	Entity	A-G	$U_{max.} = 16 \text{ V}$	$C_i = 60 \text{ nF}$
			$I_{max.} = 20 \text{ mA}$	$L_i = 100 \text{ } \mu\text{H}$

NI/I/2/ABCD/T6,T5,T4 Ta = 40 °C, 55 °C, 85 °C

S/II,III/2/EFG//T6,T5,T4 Ta = 40 °C, 55 °C, 85 °C

Enclosure type 4x

- a Case/mounting – 1, 2, 3, 4, 5 or 6
- b Output/safe protection – 1, 2, 3 or 4
- c 0
- d Optional mechanical kit for digital position feedback – 0, 1 or 2
- e Design (varnish/coding) – 1 or 2
- f Device identification label – 0, 1 or 2

TZIDC-210 positioner, Model V18349-a012b3cd3ef

XP/I/2/CD/T6, T5, T4 Ta = 82 °C

DIP/II, III/2/FG/T6, T5, T4 Ta = 82 °C

Enclosure type 4x

- a Case/mounting – 1, 2, 3, 4, 5 or 6
- b Output/safe protection – 1, 2, 3 or 4
- c 0
- d Optional mechanical kit for digital position feedback – 0, 1 or 2
- e Design (varnish/coding) – 1 or 2
- f Device identification label – 0, 1 or 2

CSA Certification 1555690

Explosion proof; enclosure 4X

Temperature range: –40 to 85 °C

T5, max. 85 °C ; T6, max. 70 °C

CL I; Div 1; Grp. C-D

CL II; Div 1; Grp. E-F-G

CL III

See also **FM installation drawing No. 901265** on page 63.

... 2 Use in potentially explosive atmospheres

TZIDC-220 – Ex relevant specification

ATEX – ‘Ex d’ type of protection

Ex marking	
Marking	II 2 G Ex d IIC T4/T5/T6
Type Examination Test Certificate	DMT 02 ATEX E 029 X
Type	TZIDC-220 Doc. 901132
Device class	II 2 G
Standards	EN 60079-0 EN 60079-1

Temperature Data

Device group II 2 G	
Temperature class	Ambient temperature Ta
T4	-40 to 85 °C
T5	-40 to 80 °C
T6	-40 to 65 °C

Electrical Data

Voltage	≤ 30 V AC/DC
Current	≤ 20 mA

Pneumatic data

Supply pressure	Standard Version
	≤ 6 bar
	Marine version
	≤ 5.5 bar

Special conditions

- Before final installation, the operator needs to decide on the use of the device, either
 - A) as a device with ‘Ex i’ intrinsically safe type of protection or
 - B) as a device with ‘Ex d’ type of protection and permanently mark the selected type of use on the name plate. Specific conditions of the surrounding environment, such as chemical corrosion, must be taken into account when affixing the permanent mark. Only the manufacturer must change the selected type of use following a re-examination
- Medium strength adhesive must be used to secure the cable entries and line entries and stop them from twisting and self-loosening
- In the case of high torsional forces, the bearing sleeves must be replaced due to wear on the shaft for the position pickoff (significant control deviation).
- If the positioner is operated at an ambient temperature above 60 °C (140 °F) or below -20 °C (-4 °F), make sure to use cable entries and lines suited for an operating temperature corresponding to the maximum ambient temperature increased by 10 K or corresponding to the minimum ambient temperature, respectively.
- The dimensions of the flameproof joint of this equipment partly exceed the minimum values required by EN 60079-1:2014 or IEC 60079-1:2014 or partly down-scale the maximum values required therein. All inquiries relating to dimensions must be directed to the manufacturer
- Screws that comply with the minimum requirements of the A2-70, A2-80 or 10.12 quality grades must be used to close the flameproof enclosure.

ATEX – ‘Ex i’ type of protection

Ex marking	
Marking	II 2 G Ex ia IIC T6 or T4 Gb II 2 G Ex ib IIC T6 or T4 Gb II 3 G Ex ic IIC T6 or T4 Gc
Type Examination Test Certificate	TÜV 02 ATEX 1834 X
Type	TZIDC-220
Standards	EN 60079-0 EN 60079-11 EN 60079-27

Temperature Data

Device group II 2 G	
Temperature class	Ambient temperature T_a
T4	-40 to 85 °C
T6*	-40 to 40 °C*

* When using the ‘Limit Monitor’ plug-in module in temperature class T6, the maximum permissible ambient temperature range is -40 to 35 °C (-40 to 95°F).

Electrical Data

With the intrinsic safety Ex i IIC type of protection, only for connection to a certified FISCO power supply unit or a barrier, i.e., a power supply unit with maximum values in accordance with the following table.

Current circuit (terminal)	Electrical information (maximum values)	
Signal circuit (+11 / -12)	$U_i = 24 \text{ V}$	$C_i = < 5 \text{ nF}$
	$I_i = 250 \text{ mA}$	$L_i = < 10 \text{ } \mu\text{H}$
	$P_i = 1.2 \text{ W}$	Characteristic curve = linear

Current circuit (terminal)	Electrical information (maximum values)
Mechanical digital feedback * (Limit1: +51 / -52), (Limit2: +41 / -42)	For maximum values, see EC type examination certificate PTB 00 ATEX 2049 X

* When using the SJ2_S1N (NO) proximity switch, the positioner may only be used at an ambient temperature range from -25 to 85 °C (-13 to 185°F)

Special conditions

- Before final installation, the operator needs to decide on the use of the device, either
 - as a device with ‘Ex i’ intrinsically safe type of protection or
 - as a device with ‘Ex d’ type of protection and permanently mark the selected type of use on the name plate. Specific conditions of the surrounding environment, such as chemical corrosion, must be taken into account when affixing the permanent mark. Only the manufacturer must change the selected type of use following a re-examination
- Variants that, according to declarations, also meet the requirements for the ‘flameproof enclosure’ type of protection may no longer be used as ‘intrinsically safe’ if they have been previously used as a flameproof type of protection

... 2 Use in potentially explosive atmospheres

... TZIDC-220 – Ex relevant specification

IECEX – ‘Ex d’ type of protection

Ex marking	
Marking	Ex d IIC T4/T5/T6
Type Examination Test Certificate	IECEX BVS 07.0030X, Issue No.: 0
Type	TZIDC-220

Temperature Data

Temperature class	Ambient temperature Ta
T4	-40 to 85 °C
T5	-40 to 80 °C
T6	-40 to 65 °C

Electrical Data

Voltage	≤ 30 V AC/DC
Current	≤ 20 mA

Pneumatic data

Supply pressure	Standard Version
	≤ 6 bar
	Marine version
	≤ 5.5 bar

Special conditions

- The positioner is designed for a maximum permissible ambient temperature range of 40 to 85 °C (104 to 185 °F)
- Variants that, according to declarations, also meet the requirements for the ‘intrinsically safe’ type of protection may no longer be used as ‘intrinsically safe’ if they have been previously used as a flameproof type of protection
- If the positioner is operated at an ambient temperature above 60 °C (140 °F) or below -20 °C (-4 °F), make sure to use cable entries and lines suited for an operating temperature corresponding to the maximum ambient temperature increased by 10 K or corresponding to the minimum ambient temperature, respectively.

IECEX – ‘Ex i’ type of protection

Ex marking	
Marking	Ex ia IIC T6 or T4 Gb
Type Examination Test Certificate	IECEX TUN 04.0015X
Type	TZIDC-220
Standards	IEC 60079-0
	IEC 60079-11

Temperature Data

Temperature class	Ambient temperature Ta
TZIDC Ex ia IIC	
T4	-40 to 85 °C
T6*	-40 to 40 °C*

* When using the ‘Limit Monitor’ plug-in module in temperature class T6, the maximum permissible ambient temperature range is -40 to 35 °C (-40 to 95 °F).

Electric TZIDC-220 data for ia/ib/ic for groups IIB/IIC

With the intrinsic safety Ex i IIC type of protection, only for connection to a certified FISCO power supply unit or a barrier, i.e., a power supply unit with maximum values according to the following table

Current circuit (terminal)	Electrical information (maximum values)
Signal circuit (+11 / -12)	U _i = 24 V Characteristic curve = linear I _i = 250 mA P _i = 1.2 W

Special conditions

- Devices must only be connected to circuits in zone 2 if they are suitable for operation in zone 2 potentially explosive atmospheres and for the conditions prevailing at the installation location (manufacturer's declaration or certificate from an inspection authority).
- For the 'Limit monitor with proximity switches' circuit, measures outside of the device must be implemented to prevent the rated voltage from being up-scaled by more than 40 % due to transient disturbances.
- It is only permissible to connect, disconnect, and switch live circuits during installation or maintenance, or for the purpose of carrying out repairs. Note: It is considered very unlikely that a potentially hazardous atmosphere would be present in zone 2 at the same time that installation or maintenance or repair work was being carried out.
- Only non-flammable gases must be used for pneumatic power supply.
- Only suited cable entries must be used that meet the requirements of EN 60079-15.

FM / CSA**FM Approvals**

TZIDC-220 Positioner, Model V18350-a014b3cd4ef
IS/I,II,III/1/ABCDEFG/T6,T5,T4
Ta = 40 °C, 55 °C, 85 °C-901265 Entity, FISCO

Entity and FISCO Parameters

Terminals	Type	Groups	Parameters	
+11 / -12	Entity	A-G	$U_{max.} = 24 \text{ V}$	$C_i = 2.8 \text{ nF}$
			$I_{max.} = 250 \text{ mA}$	$L_i = 7.2 \text{ } \mu\text{H}$
			$P_i = 1.2 \text{ W}$	
FISCO	A-G	A-G	$U_{max.} = 17.5 \text{ V}$	$C_i = 2.8 \text{ nF}$
			$I_{max.} = 360 \text{ mA}$	$L_i = 7.2 \text{ } \mu\text{H}$
			$P_i = 2.52 \text{ W}$	
FISCO	C-G	C-G	$U_{max.} = 17.5 \text{ V}$	$C_i = 2.8 \text{ nF}$
			$I_{max.} = 380 \text{ mA}$	$L_i = 7.2 \text{ } \mu\text{H}$
			$P_i = 5.32 \text{ nF}$	
+51 / -52	Entity	A-G	$U_{max.} = 16 \text{ V}$	$C_i = 60 \text{ nF}$
			$I_{max.} = 20 \text{ mA}$	$L_i = 100 \text{ } \mu\text{H}$
+41 / -42	Entity	A-G	$U_{max.} = 16 \text{ V}$	$C_i = 60 \text{ nF}$
			$I_{max.} = 20 \text{ mA}$	$L_i = 100 \text{ } \mu\text{H}$

NI/I/2/ABCD/T6,T5,T4 Ta = 40 °C, 55 °C, 85 °C
S/II,III/2/EFG//T6,T5,T4 Ta = 40 °C, 55 °C, 85 °C
Enclosure type 4x

- Case/mounting – 1, 2, 3, 4, 5 or 6
- Output/safe protection – 1, 2, 3 or 4
- Option modules – 0 or 5
- Optional mechanical kit for digital position feedback – 0, 1 or 2
- Design (varnish/coding) – 1 or 2
- Device identification label – 0, 1 or 2

TZIDC-220 Positioner, Model V18350-a012b3cd4ef

XP/I/2/CD/T6, T5, T4 TA = 82 °C

DIP/II, III/2/FG/T6, T5, T4 Ta = 82 °C

Enclosure type 4x

- Case/mounting – 1, 2, 3, 4, 5 or 6
- Output/safe protection – 1, 2, 3 or 4
- Option modules – 0 or 5
- Optional mechanical kit for digital position feedback – 0, 1 or 2
- Design (varnish/coding) – 1 or 2
- Device identification label – 0, 1 or 2

CSA Certification 1555690

Explosion proof; enclosure 4X

Temperature range: -40 to 85 °C

T5, max. 85 °C ; T6, max. 70 °C

CL I; Div 1; Grp. C-D

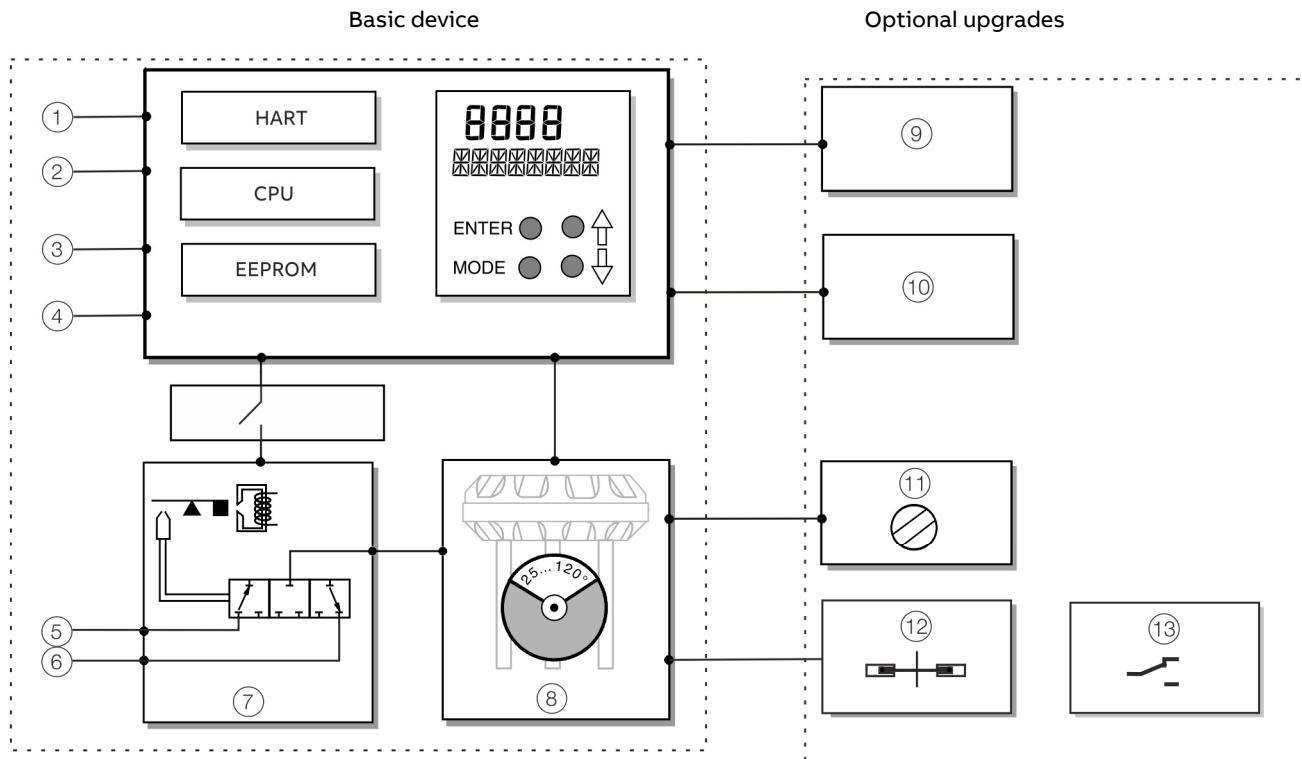
CL II; Div 1; Grp. E-F-G

CL III

See **FM installation drawing No. 901265** on page 63.

3 Design and function

Schematic diagram



Basic device

- ① LCI plug *
- ② Setpoint signal 4 to 20 mA / bus connection 9 to 32 V DC
- ③ Binary input *
- ④ Binary output *
- ⑤ Supply air: 1.4 to 6 bar (20 to 90 psi)
- ⑥ Exhaust
- ⑦ I/P module with 3/3-way valve
- ⑧ Position sensor (optional up to 270° rotation angle)

* Only for devices with HART® Communication.

Optional upgrades

- ⑨ Plug-in module analog feedback (4 to 20 mA) *
- ⑩ Plug-in module for digital feedback *
- ⑪ Installation kit for mechanical position indication
- ⑫ Installation kit for digital feedback with proximity switches
- ⑬ Installation kit for digital feedback with 24 V microswitches

Figure 1: Schematic diagram

Note

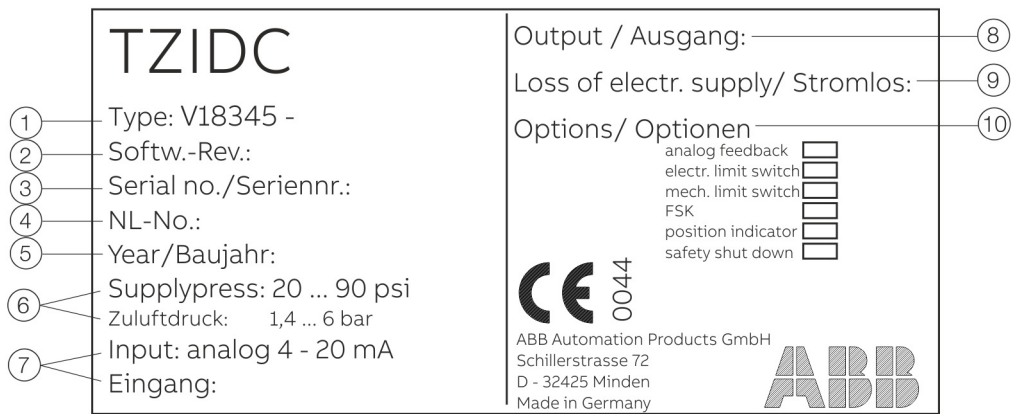
With optional upgrades either, the 'Installation kit for digital feedback with proximity switches' (⑫) or the 'Installation kit for digital feedback with 24 V microswitches' (⑬) can be used. In both cases though, the mechanical position indication (⑪) must be installed.

Principle of operation

The TZIDC-200, TZIDC-210, TZIDC-220 is an electronically configurable positioner with communication capabilities designed for mounting on pneumatic linear or rotary actuators. Fully automatic determination of the control parameters and adaptation to the positioner allow for considerable time savings as well as optimum control behavior.

4 Product identification

Name plate



- ① Full type designation
- ② Software revision
- ③ Serial number
- ④ NL number
- ⑤ Year of manufacture

- ⑥ Supply air pressure
- ⑦ Input
- ⑧ Output
- ⑨ Dead
- ⑩ Options

Figure 2: Name plate (example)

5 Transport and storage

Inspection

Check the devices immediately after unpacking for possible damage that may have occurred from improper transport. Details of any damage that has occurred in transit must be recorded on the transport documents. All claims for damages must be submitted to the shipper without delay and before installation.

Transporting the device

Observe the following instructions:

- Do not expose the device to humidity during transport. Pack the device accordingly.
- Pack the device so that it is protected against vibrations during transport, for example, by using air-cushioned packing.

Storing the device

Bear the following points in mind when storing devices:

- Store the device in its original packaging in a dry and dust-free location. The device is also protected by a desiccant in the packaging.
- The storage temperature should be between -40 to 85 °C (-40 to 185 °F).
- Avoid storing the device in permanent direct sunlight.
- In principle, the devices may be stored for an unlimited period. However, the warranty conditions stipulated in the order confirmation of the supplier apply.

Ambient conditions

The ambient conditions for the transport and storage of the device correspond to the ambient conditions for operation of the device.

Adhere to the device data sheet!

Returning devices

For the return of devices, follow the instructions in **Repair** on page 56.

6 Installation

Safety instructions

CAUTION

Risk of injury due to incorrect parameter values!

Incorrect parameter values can cause the valve to move unexpectedly. This can lead to process failures and result in injuries.

- Before recommissioning a positioner that was previously in use at another location, always reset the device to its factory settings.
- Never start automatic adjustment before restoring the factory settings!

Note

Before assembly, check whether the positioner meets the control and safety requirements for the installation location (actuator or final control element).

Refer to the **Specification** in the data sheet.

Only qualified specialists who have been trained for these tasks are authorized to mount and adjust the unit, and to make the electrical connection.

When carrying out any work on the device, always observe the local accident prevention regulations and the regulations concerning the construction of technical installations.

Mechanical mounting

General

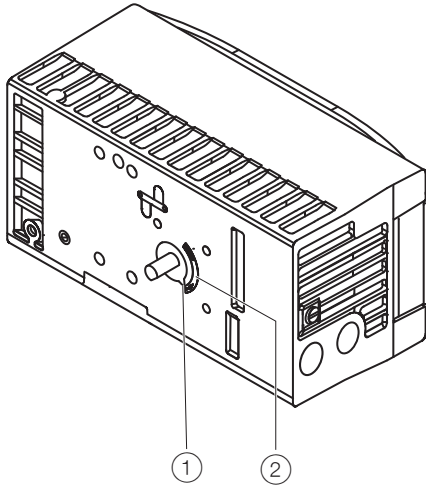
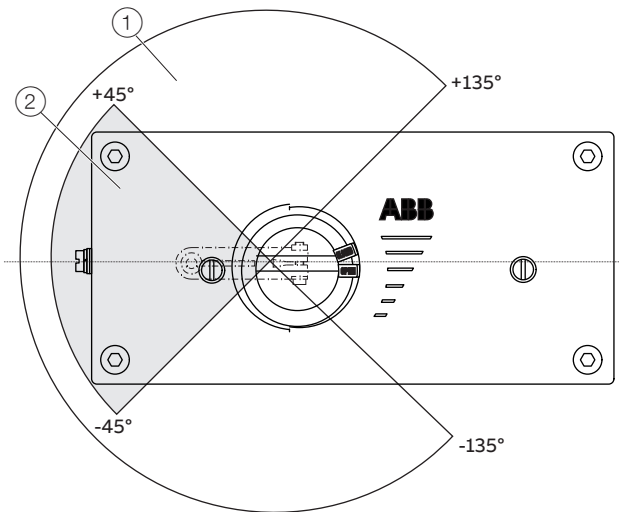


Figure 3: Operating range

Arrow ① on the device feedback shaft (position feedback point) must move between the arrow marks ②.



① Measuring range ② Operating range

Figure 4: Measuring and operating ranges of the positioner

Operating range for linear actuators:

The operating range for linear actuators is $\pm 45^\circ$ symmetrically to the longitudinal axis. The usable span within the operating range is at least 25° (recommended figure 40°). The usable span does not necessarily need to run symmetrically to the longitudinal axis.

Operating range of rotary actuators:

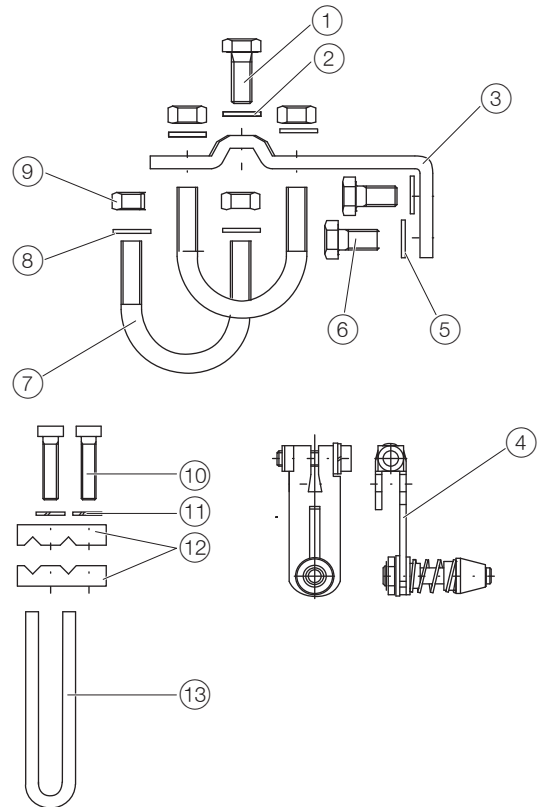
The usable span is 90° , which must be entirely within the measuring range, but does not necessarily need to run symmetrically to the longitudinal axis.

Note

During installation make sure that the actuator travel or rotation angle for position feedback is implemented correctly.

Mounting on linear actuators

For mounting on a linear actuator in accordance with DIN / IEC 534 (lateral mounting as per NAMUR), the following attachment kit is available:



- | | |
|--|------------------|
| ① Screw | ⑦ U-bolt |
| ② Washer | ⑧ Washers |
| ③ Mounting bracket | ⑨ Nuts |
| ④ Lever with follower pin
(for mechanical stroke
10 to 35 mm (0.39 to 1.38 in) or
20 to 100 mm (0.79 to 3.94 in)) | ⑩ Screws |
| ⑤ Washers | ⑪ Spring washers |
| ⑥ Screws | ⑫ Clamp plates |
| | ⑬ Follower guide |

Figure 5: Components of attachment kit

... 6 Installation

... Mechanical mounting

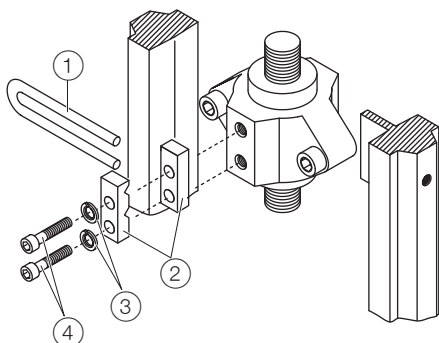


Figure 6: Attaching a follower guide to the actuator

1. Tighten the screws so that they are hand-tight.
2. Attach the follower guide (1) and clamp plates (2) with screws (4) and spring washers (3) to the actuator stem.

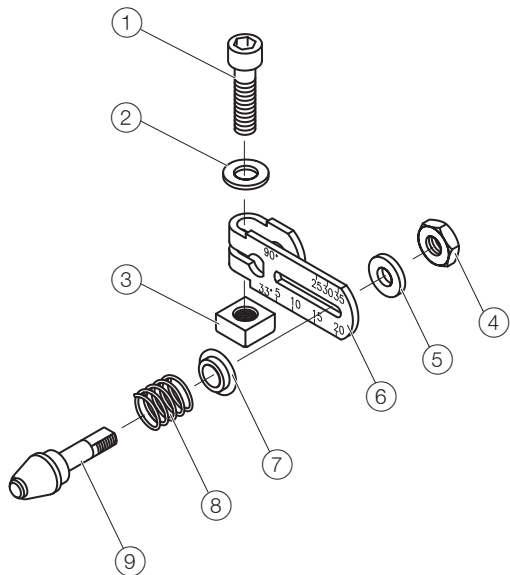


Figure 3: Assemble the lever (unless pre-assembled)

1. Insert spring (8) on bolt with follower pin (9).
2. Slip the plastic washer (7) onto the bolt and compress the spring with it.
3. Insert the bolt with compressed spring into the oblong hole in the lever (6) and fasten it in the desired position using the plain washer (5) and nut (4) at the lever. The scale on the lever indicates the link point for the stroke range.
4. Place the washer (2) on the screw (1). Insert the screw in the lever and lock with the nut (3).

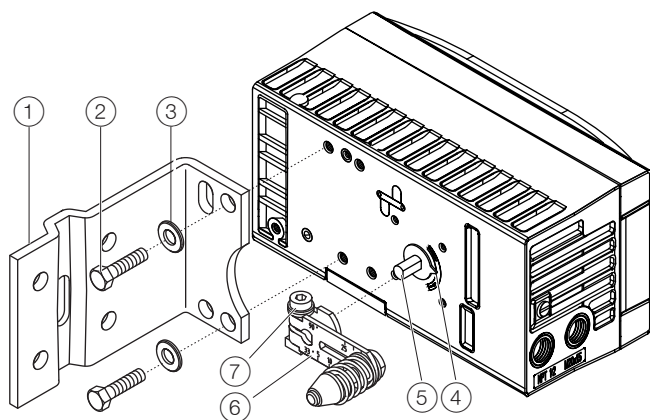


Figure 4: Mounting lever and bracket on the positioner

1. Attach the lever (6) to the feedback shaft (5) of the positioner (can only be mounted in one position due to the cut shape of the feedback shaft).
2. Using the arrow marks (4), check whether the lever moves within the operating range (between the arrows).
3. Hand-tighten the screw (7) on the lever.
4. Hold the prepared positioner (with the mount bracket (1) still loose) on the actuator so that the follower pin for the lever enters the follower guide to determine which tap holes on the positioner must be used for the mount bracket.
5. Secure the mount bracket (1) with screws (2) and washers (3) using the relevant tap holes on the positioner housing. Tighten the screws as evenly as possible to ensure subsequent linearity. Align the mount bracket in the oblong hole to ensure that the operating range is symmetrical (lever moves between the arrow marks (4)).

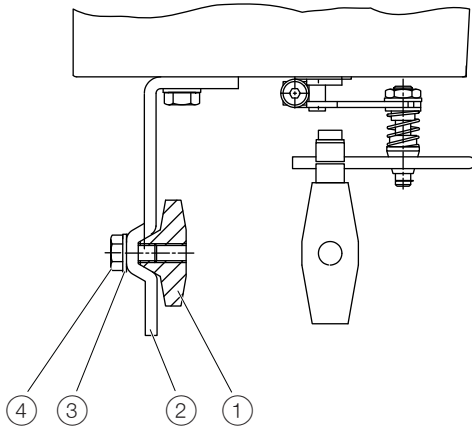


Figure 5: Mounting on a cast iron yoke

1. Attach the mount bracket (2) with screw (4) and washer (3) to the cast iron yoke (1).

or

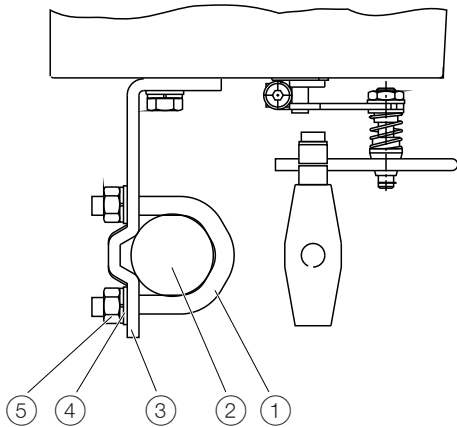
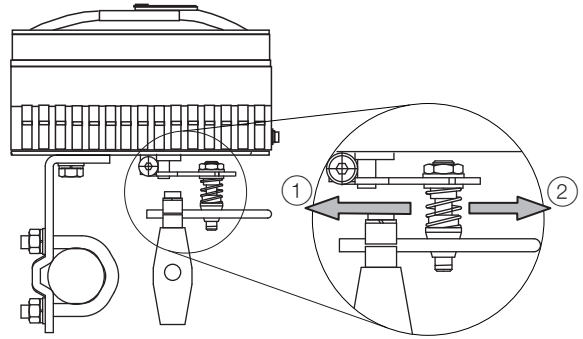


Figure 6: Mounting on a columnar yoke

1. Hold the mount bracket (3) in the proper position on the columnar yoke (2).
2. Insert the U-bolts (1) from the inside of the columnar yoke (2) through the holes of the mount bracket.
3. Add the washers (4) and nuts (5).
4. Tighten the nuts so that they are hand-tight.

Note

Adjust the height of the positioner on the cast iron yoke or columnar yoke until the lever is horizontal (based on a visual check) at half stroke of the valve.



(1) Increase linkage

(2) Decrease linkage

Figure 7: Positioner linkage

The scale on the lever indicates the link points for the various stroke ranges of the valve.

Move the bolt with the follower pin in the oblong hole of the lever to adjust the stroke range of the valve to the working range for the position sensor.

Moving the link point inwards increases the rotation angle of the position sensor. Moving the link point outwards reduces the rotation angle of the position sensor.

Adjust the actuator stroke to make use of as large an angle of rotation as possible (symmetrical around the center position) on the position sensor.

Recommended range for linear actuators:
-30° to 30°; minimum range: 25°

Note

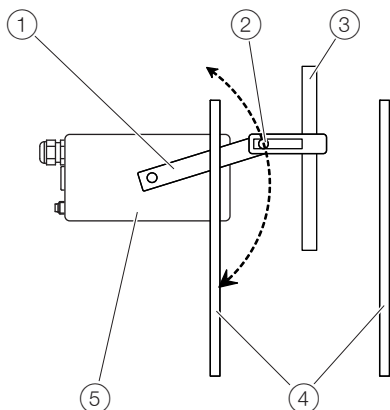
After mounting, check whether the positioner is operating within the measuring range.

... 6 Installation

... Mechanical mounting

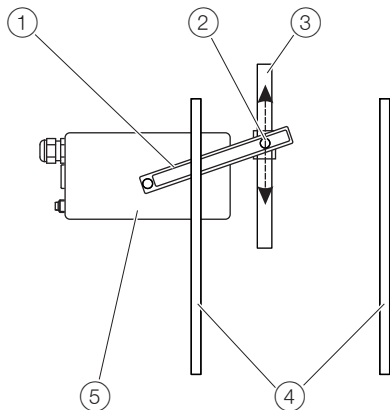
Position of actuator bolt

The actuator bolt for moving the potentiometer lever can be mounted permanently on the lever itself or on the valve stem. Depending on the mounting method, when the valve moves the actuator bolt performs either a circular or a linear movement with reference to the center of rotation of the potentiometer lever. Select the chosen bolt position in the HMI menu in order to ensure optimum linearization. The default setting is actuator bolt on lever.



- ① Potentiometer lever
- ② Actuator bolts
- ③ Valve stem
- ④ Valve yoke
- ⑤ Positioner

Figure 8: Actuator bolts on the lever



- ① Potentiometer lever
- ② Actuator bolts
- ③ Valve stem
- ④ Valve yoke
- ⑤ Positioner

Figure 9: Actuator bolts on the valve

Mounting on rotary actuator

For mounting on part-turn actuators in accordance with VDI / VDE 3845, the following attachment kit is available:

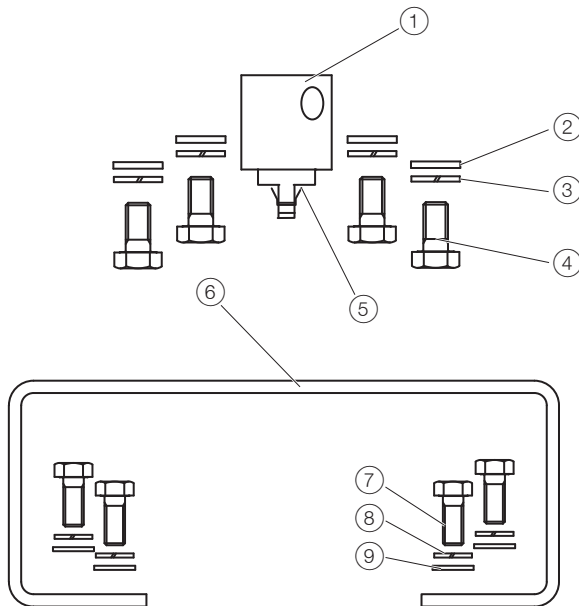


Figure 10: Components of attachment kit

- Adapter ① with spring ⑤
- four M6 screws each ④, spring washers ③ and washers ② to fasten the attachment bracket ⑥ to the positioner
- four M5 screws ⑦, Spring washers ⑧ and washers ⑨ to fasten the attachment bracket to the actuator

Required tools:

- Wrench, size 8 / 10
- Allen key, size 3

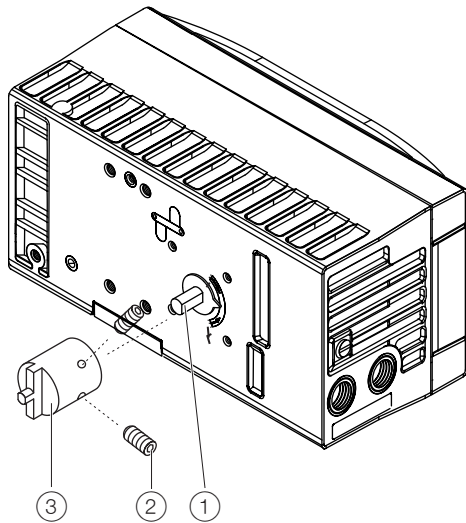
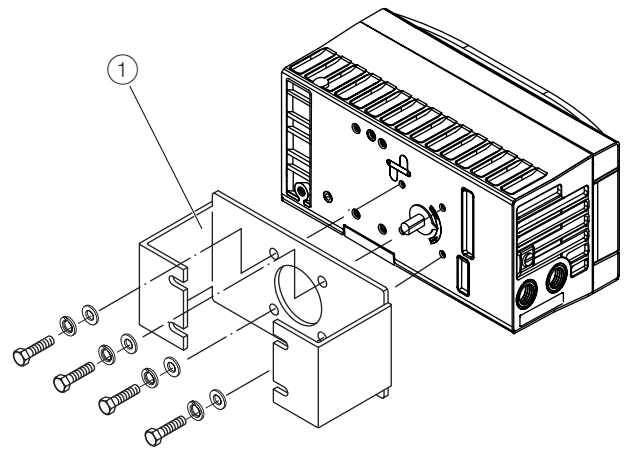


Figure 11: Mounting the adapter on the positioner

1. Determine the mounting position (parallel to actuator or at 90° angle)
2. Calculate the rotational direction of the actuator (right or left).
3. Move the part-turn actuator into the home position.
4. Pre-adjust feedback shaft.

To ensure the positioner will operate within the operating range (see chapter **General** on page 23), the mounting position as well as the home position and direction of rotation of the actuator must be taken into account when determining the adapter position on the feedback shaft ①. For this purpose, the feedback shaft can be adjusted manually so that the adapter ③ can be attached in the correct position.

5. Place the adapter in the proper position on the feedback shaft and fasten with threaded pins ②. One of the threaded pins must be locked in place on the flat side of the feedback shaft.



① Attachment bracket

Figure 12: Screwing the attachment bracket onto the positioner

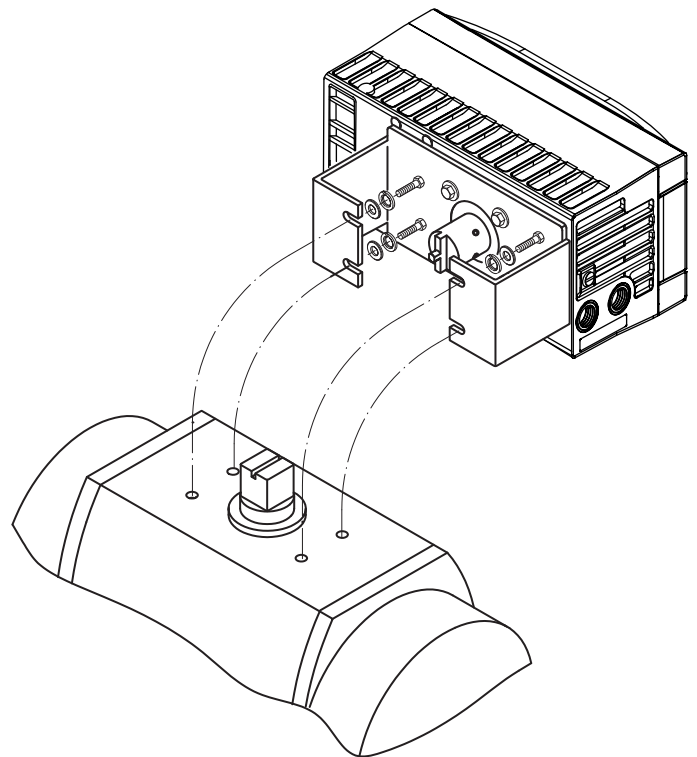


Figure 13: Screwing the positioner onto the actuator

Note

After mounting, check whether the operating range of the actuator matches the measuring range of the positioner, see chapter **General** on page 23.

7 Electrical connections

Safety instructions

DANGER

Risk of explosion for devices with local communication interface (LCI)

A local communication interface (LCI) may not be operated in hazardous areas.

- Never use the local communication interface (LCI) on the main board in a hazardous area!

WARNING

Risk of injury due to live parts!

When the housing is open, contact protection is not provided and EMC protection is limited.

- Before opening the housing, switch off the power supply.

The electrical connection may only be established by authorized specialist personnel.

Notices on electrical connection in this instruction must be observed; otherwise, electric safety and the IP-rating may be adversely affected.

Safe isolation of electric circuits which are dangerous if touched is only guaranteed when the connected devices fulfill the requirements of EN 61140 (basic requirements for secure separation).

To ensure safe isolation, install supply lines so that they are separate from electrical circuits which are dangerous if touched, or implement additional isolation measures for them.

TZIDC-200 terminal assignment

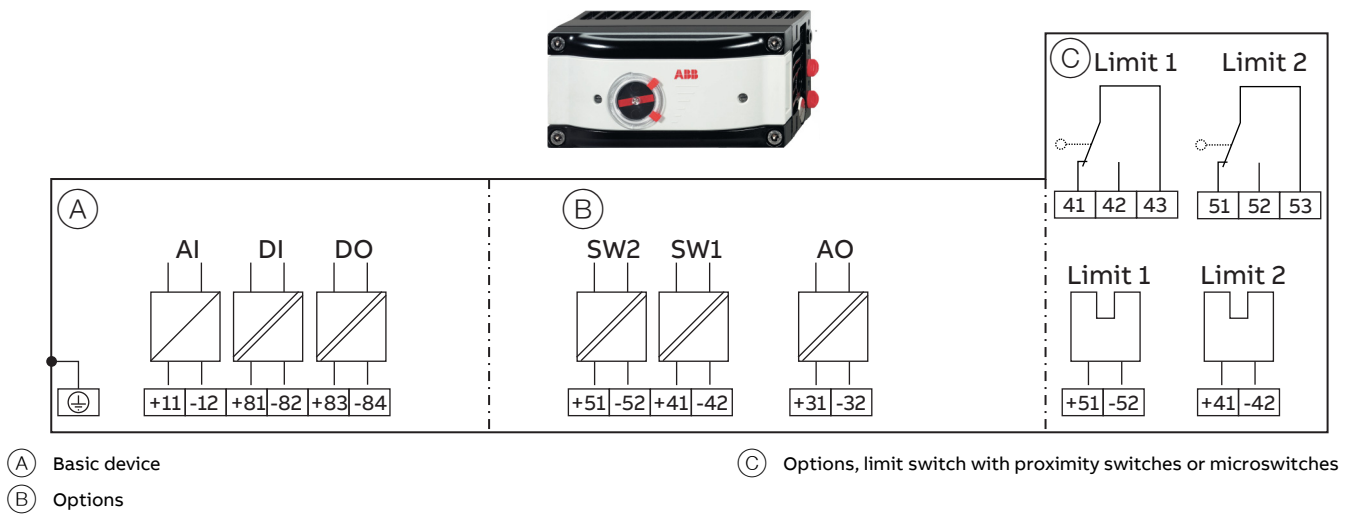


Figure 14: TZIDC-200 Electrical Connection

Connections for inputs and outputs

Terminal	Function / comments
+11 / -12	Analog input
+81 / -82	Binary input DI
+83 / -84	Binary output DO2
+51 / -52	Digital feedback SW1 (Option module)
+41 / -42	Digital feedback SW2 (Option module)
+31 / -32	Analog feedback AO (Option module)

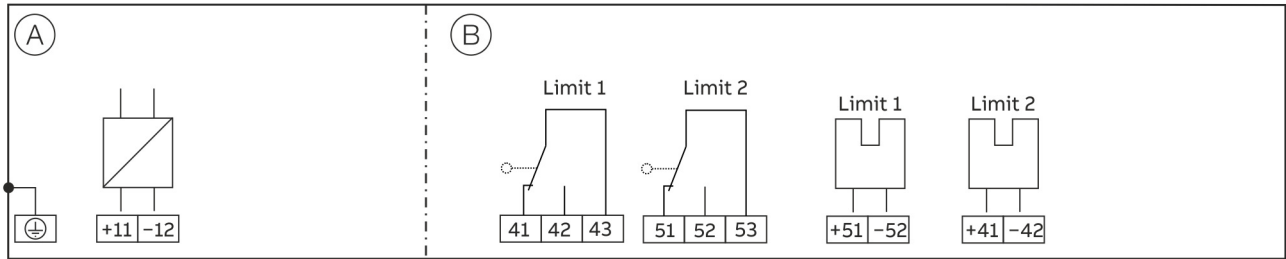
Terminal	Function / comments
+51 / -52	Limit switch Limit 1 with proximity switch (Option)
+41 / -42	Limit switch Limit 2 with proximity switch (Option)
41 / 42 / 43	Limit switch Limit 1 with microswitch (Option)
51 / 52 / 53	Limit switch Limit 2 with microswitch (Option)

Note

The TZIDC-200 can be fitted either with proximity switches or microswitches as limit switches. It is not possible to combine both variants.

... 7 Electrical connections

TZIDC-210, TZIDC-220 terminal assignment



(A) Basic device

(B) Options, digital feedback with proximity switches or microswitches

Figure 15: TZIDC-210, TZIDC-220 electrical connection

Terminal	Function / comments
+11 / -12	Fieldbus, bus feed
+51 / -52	Digital feedback Limit 1 with proximity switch (optional)
+41 / -42	Digital feedback Limit 2 with proximity switch (optional)
41 / 42 / 43	Digital feedback Limit 1 with microswitch (optional)
51 / 52 / 53	Digital feedback Limit 2 with microswitch (optional)

Note

The TZIDC-1x0, TZIDC-210 or TZIDC-220 can be fitted either with proximity switches or microswitches as limit switches. It is not possible to combine both variants.

Electrical data for inputs and outputs

Note

When using the device in potentially explosive atmospheres, note the additional connection data in **Use in potentially explosive atmospheres** on page 6!

Analog input

Only for devices with HART® Communication.

Set point signal analog (two-wire technology)

Terminals	+11 / -12
Nominal operating range	4 to 20 mA
Split range configuration between	20 to 100 % of the nominal operating range can be parameterized
Maximum	50 mA
Minimum	3.6 mA
Starting at	3.8 mA
Load voltage	9.7 V at 20 mA
Impedance at 20 mA	485 Ω

Fieldbus input

Only for devices with PROFIBUS PA® or FOUNDATION Fieldbus® Communication.

Bus Connection	PROFIBUS PA FOUNDATION fieldbus	
	+11 / -12	+11 / -12
Terminals	+11 / -12	+11 / -12
Supply voltage (Power feed from the Fieldbus)	9 to 32 V DC	9 to 32 V DC
Max. permissible voltage	35 V DC	35 V DC
Input Current	10.5 mA	11.5 mA
Current in the event of an error	15 mA (10.5 mA + 4.5 mA)	15 mA (11.5 mA + 3.5 mA)

Digital input

Only for devices with HART® Communication.

Input for the following functions:

- no function
- move to 0 %
- move to 100 %
- Hold previous position
- block local configuration
- block local configuration and operation
- block any access (local or via PC)

Binary input DI

Terminals	+81 / -82
Supply voltage	24 V DC (12 to 30 V DC)
Input 'logical 0'	0 to 5 V DC
Input 'logical 1'	11 to 30 V DC
Input Current	Maximum 4 mA

Binary output

Only for devices with HART® Communication.

Output configurable as alarm output by software.

Binary output DO

Terminals	+83 / -84
Supply voltage	5 to 11 V DC
(Control circuit in accordance with DIN 19234/NAMUR)	
Output 'logical 0'	> 0.35 mA to < 1.2 mA
Output 'logical 1'	> 2.1 mA
Direction of action	Configurable 'logical 0' or 'logical 1'

... 7 Electrical connections

... Electrical data for inputs and outputs

Option modules

Module for analog feedback AO*

Only for devices with HART® Communication.

Without any signal from the positioner (e.g. 'no power' or 'initializing') the module sets the output to > 20 mA (alarm level).

Terminals	+31 / -32
Signal range	4 to 20 mA (Parameterization on split-ranges possible)
• in the event of an error	> 20 mA (alarm level)
Supply voltage, two-wire technology	24 V DC (11 to 30 V DC)
Characteristic curve	rising or falling (configurable)
Deviation	< 1 %

* The module for analog feedback and the module for digital feedback have separate slots and can be used together.

Module for digital feedback SW1, SW2*

Only for devices with HART® Communication.

Terminals	+41 / -42, +51 / -52
Supply voltage	5 to 11 V DC (Control circuit in accordance with DIN 19234 / NAMUR)
Output 'logical 0'	< 1.2 mA
Output 'logical 1'	> 2.1 mA
Direction of action	Configurable 'logical 0' or 'logical 1'
Description	2 software switches for binary position feedback (position adjustable within the range of 0 to 100 %, ranges cannot overlap)

* The module for analog feedback and the module for digital feedback have separate slots and can be used together.

Assembly kits for digital feedback

Two proximity switches or microswitches for independent signaling of the actuator position, switching points are adjustable between 0 to 100%

Digital feedback with proximity switches Limit 1, Limit 2*

Terminals	+41 / -42, +51 / -52
Supply voltage	5 to 11 V DC (Control circuit in accordance with DIN 19234/NAMUR)
Signal current < 1 mA	Switching state logical '0'
Signal current > 2 mA	Switching state logical '1'

Direction of action

Proximity switch	Actuator position			
	< Limit 1	> Limit 1	< Limit 2	> Limit 2
SJ2-SN (NC)	0	1	1	0

Digital feedback with 24 V-proximity switches Limit 1, Limit 2*

Terminals	41 / 42 / 43 51 / 52 / 53
Supply voltage	maximum 24 V AC/DC
Load rating	Maximum 2 A
Contact surface	10 µm Gold (AU)

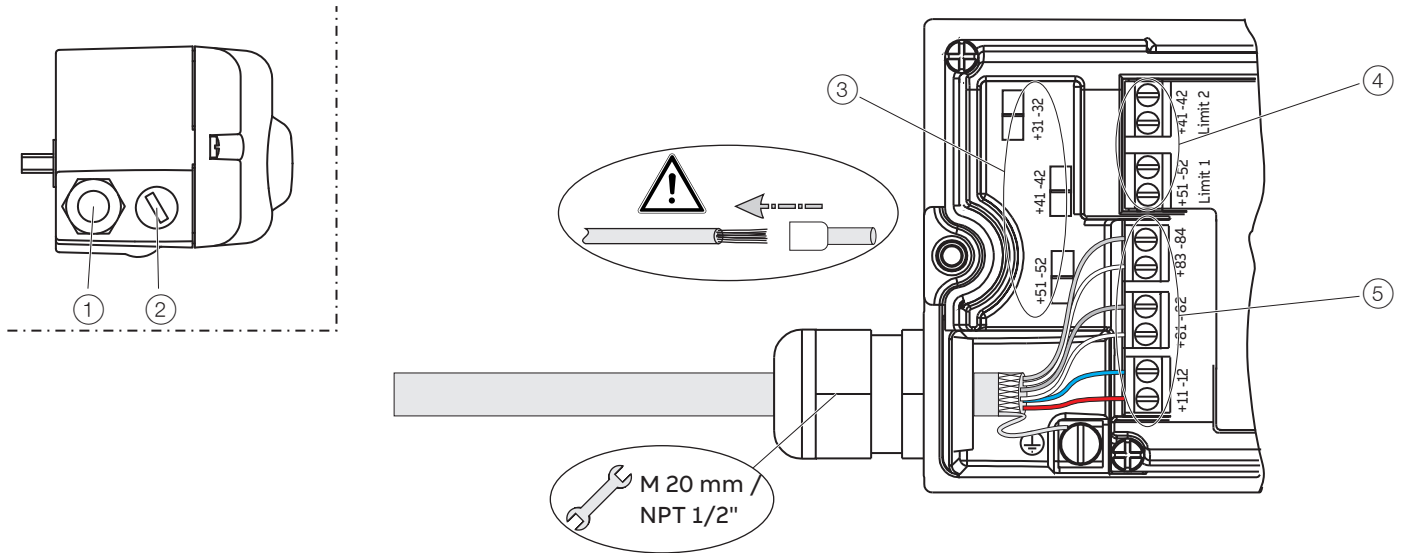
* The proximity switches or 24 V microswitches for digital feedback are activated directly via the positioner axis and can only be used in combination with the optionally available mechanical position indicator.

Mechanical position indicator

Indicator disk in enclosure cover linked with device feedback shaft.

These options are also available for retrofitting by Service.

Connection on the device



- | | |
|--------------------------------|--|
| ① Cable gland | ④ Terminal attachment kit for digital feedback |
| ② Blind plug | ⑤ Terminals for basic unit |
| ③ Terminals for option modules | |

Figure 16: Connection to device (example)

2 tap holes $\frac{1}{2}$ - 14 NPT or M20 \times 1.5 are provided on the left side of the housing for cable entry in the housing. One of the tap holes is fitted with a cable gland, while the other tap hole has a blind plug.

Note

The connecting terminals are delivered closed and must be unscrewed before inserting the wire.

1. Strip the wires to approximately 6 mm (0.24 in).
2. Connect the wires to the connecting terminals in line with the connection diagram.

... 7 Electrical connections

... Electrical data for inputs and outputs

Wire cross-sectional areas

Basic device

Electrical connections	
4 to 20 mA input	Screw terminals max. 2.5 mm ² (AWG14)
Options	Screw terminals max. 1.0 mm ² (AWG18)

Cross section

Rigid / flexible wires	0.14 to 2.5 mm ² (AWG26 to AWG14)
Flexible with wire end sleeve	0.25 to 2.5 mm ² (AWG23 to AWG14)
Flexible with wire end sleeve no plastic sleeve	0.25 to 1.5 mm ² (AWG23 to AWG17)
Flexible with wire end sleeve with plastic sleeve	0.14 to 0.75 mm ² (AWG26 to AWG20)

Multi-wire connection capacity (two wire with the same cross-section)

Rigid / flexible wires	0.14 to 0.75 mm ² (AWG26 to AWG20)
Flexible with wire end sleeve no plastic sleeve	0.25 to 0.75 mm ² (AWG23 to AWG20)
Flexible with wire end sleeve with plastic sleeve	0.5 to 1.5 mm ² (AWG21 to AWG17)

Option modules

Cross section

Rigid / flexible wires	0.14 to 1.5 mm ² (AWG26 to AWG17)
Flexible with wire end sleeve no plastic sleeve	0.25 to 1.5 mm ² (AWG23 to AWG17)
Flexible with wire end sleeve with plastic sleeve	0.25 to 1.5 mm ² (AWG23 to AWG17)

Multi-wire connection capacity (two wire with the same cross-section)

Rigid / flexible wires	0.14 to 0.75 mm ² (AWG26 to AWG20)
Flexible with wire end sleeve no plastic sleeve	0.25 to 0.5 mm ² (AWG23 to AWG22)
Flexible with wire end sleeve with plastic sleeve	0.5 to 1 mm ² (AWG21 to AWG18)

Limit switch with proximity switches or 24 V microswitches

Rigid wire	0.14 to 1.5 mm ² (AWG26 to AWG17)
Flexible wire	0.14 to 1.0 mm ² (AWG26 to AWG18)
Flexible with wire end sleeve no plastic sleeve	0.25 to 0.5 mm ² (AWG23 to AWG22)
Flexible with wire end sleeve with plastic sleeve	0.25 to 0.5 mm ² (AWG23 to AWG22)

8 Pneumatic Connections

Note

The positioner must only be supplied with instrument air that is free of oil, water, and dust.

The purity and oil content must meet the requirements of Class 3 in accordance with DIN/ISO 8573-1.

NOTICE

Damage to components!

Contamination on the air pipe and positioner can damage components.

- Dust, splinters, and any other particles of dirt must be blown-out before the pipe is connected.

NOTICE

Damage to components!

Pressure above 6 bar (90 psi) can damage the positioner or actuator.

- Provisions must be made (e.g. by using a pressure reducer) to make sure that the pressure does not rise above 6 bar (90 psi)*, even in the event of a fault.

* 5.5 bar (80 psi) (marine version)

Information on double acting actuators with spring-return mechanism

On double-acting actuators with spring-return mechanism, a pressure that significantly exceeds the supply air pressure value can be generated during operation by the springs in the chamber opposite the springs.

This may damage the positioner or adversely affect control of the actuator.

To eliminate the possibility of this occurring, it is recommended to install a pressure compensation valve between the springless chamber and the supply air for these types of applications. It enables the increased pressure to be transferred back to the air inlet line.

The opening pressure of the check valve should be < 250 mbar (< 3.6 psi).

Connection on the device

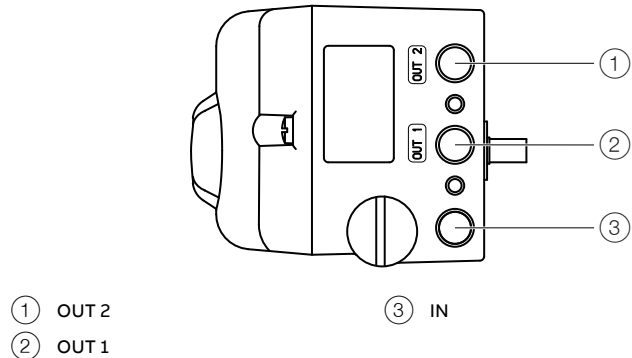


Figure 17: Pneumatic connections

Marking	Pipe connection
IN	Supply air, pressure 1.4 to 6 bar (20 to 90 psi) Marine version: <ul style="list-style-type: none"> • Supply air, pressure 1.4 to 5.5 bar (20 to 80 psi)**
OUT1	Output pressure to the actuator
OUT2	Output pressure to the actuator (2. Connection with double acting actuator)

** (marine version)

Join the pipe connections according to the designation, observing the following points:

- All pneumatic piping connections are located on the right-hand side of the positioner. G $\frac{1}{4}$ or $\frac{1}{4}$ 18 NPT tap holes are provided for the pneumatic connections. The positioner is labeled according to the tap holes available.
- We recommend that you use a pipe with dimensions of 12 × 1.75 mm.
- The supply air pressure required to apply the actuating force must be adjusted in line with the output pressure in the actuator. The operating range of the positioner is between 1.4 to 6 bar (20 to 90 psi)***.

*** 1.4 to 5.5 bar (20 to 80 psi) marine version

... 8 Pneumatic Connections

Air supply

Instrument air*

Purity	Maximum particle size: 5 µm Maximum particle density: 5 mg/m ³
Oil content	Maximum concentration 1 mg/m ³
Pressure dew point	10 K below operating temperature
Supply pressure**	Standard design: 1.4 to 6 bar (20 to 90 psi) Marine version: 1.6 to 5.5 bar (23 to 80 psi)
Air consumption***	< 0.03 kg/h / 0.015 scfm

* Free of oil, water and dust in accordance with DIN / ISO 8573-1. Pollution and oil content in accordance with Class 3

** Do not exceed the maximum output pressure of the actuator

*** Independent of supply pressure

9 Commissioning

Note

The electrical power supply and supply air pressure data indicated on the name plate must be complied with during commissioning.

CAUTION

Risk of injury due to incorrect parameter values!

Incorrect parameter values can cause the valve to move unexpectedly. This can lead to process failures and result in injuries.

- Before recommissioning a positioner that was previously in use at another location, always reset the device to its factory settings.
- Never start automatic adjustment before restoring the factory settings!

Note

Please observe the information in **Operation** on page 42 to operate the device!

TZIDC-200

Commissioning the positioner:

1. Open the pneumatic power supply.
2. Power-up the electric power supply and feed in the setpoint signal 4 to 20 mA.
3. Checking mechanical mounting:
 - Press and hold **MODE**; in addition, press **↑** or **↓** until operating mode 1.3 (manual adjustment in the measuring range) is displayed. Release **MODE**.
 - Press **↑** or **↓** to move the actuator into the mechanical end position; check the end positions; rotational angle is displayed in degrees; for high-speed mode, press **↑** or **↓** simultaneously.

Recommended rotational angle range

Linear actuators	-28 to 28°
Rotary actuators	-57 to 57°
Minimum angle	25°

4. Perform standard automatic adjustment in accordance with **Standard automatic adjustment** on page 39.








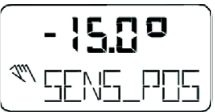
Commissioning of the positioner is now complete, and the device is ready for operation.

Operating modes

Selection from the operating level

1. Press and hold down **MODE**.
2. Also press and release \uparrow rapidly as often as required. The selected operating mode is displayed.
3. Release **MODE**.

The position is displayed in % or as a rotation angle.

Operating mode	Mode indicator	Position indicator
1.0 Control mode* with adaptation of the control parameters		
1.1 Control mode* without adaptation of the control parameters		
1.2 Manual adjustment** in the operating range. Adjust*** using \uparrow or \downarrow		
1.3 Manual adjustment** in the measuring range. Adjust*** using \uparrow or \downarrow		

* Since self-optimization in operating mode 1.0 is subject to several factors during control operation with adaptation, incorrect adjustments could appear over an extended period.

** Positioning not active.

*** For high-speed mode, press \uparrow and \downarrow simultaneously.

TZIDC-210, -220

Commissioning the positioner:

1. Open the pneumatic power supply.
2. Connect fieldbus or power supply to the bus connections.

The following is now shown in the display:



3. Checking mechanical mounting:
 - Press and hold down **MODE** and **ENTER**; once the countdown has gone from 3 to 0, release **MODE** and **ENTER**. The device switches to the operating level n operating mode 1.x.
 - Press and hold **MODE** and **ENTER**, and then press \uparrow or \downarrow until operating mode 1.3 (manual adjustment within the sensor range) is displayed. Release **MODE**.
 - Press \uparrow or \downarrow to move the actuator into the mechanical end position; check the end positions; rotation angle is displayed in degrees; for high-speed mode, press \uparrow or \downarrow simultaneously.

Recommended rotational angle range

Linear actuators	-28 to 28°
Rotary actuators	-57 to 57°
Minimum angle	25°

4. Go back to the bus level:
 - Press and hold down **MODE** and **ENTER**; once the countdown has gone from 3 to 0, release **MODE** and **ENTER**.

The following is now shown in the display:



5. Perform standard automatic adjustment in accordance with **Standard automatic adjustment** on page 39. Make sure the device is on the bus level (**REMOTE**).
6. Set dead zone and tolerance band. This step is only required for critical (e.g. very small) actuators. In normal cases you can skip this step.

Commissioning of the positioner is now complete, and the device is ready for operation.

... 9 Commissioning

... TZIDC-210, -220

Setting the bus address

- Switching to the configuration level:
 - Press and hold down **↑** and **↓** simultaneously,
 - additionally quickly press and release **ENTER**,
 - Wait for the countdown to go from 3 to 0,
 - Release **↑** and **↓**.

The following is now shown in the display:



- Switch to parameter group 1.5:
 - Press and hold down **MODE** and **ENTER** simultaneously,
 - additionally, press **↑** and **↓**.

The following is now shown in the display:



- Release **MODE**.

The following is now shown in the display:



- Setting the bus address:
 - Press **↑** or **↓** to set the correct value,
 - Press and hold down **ENTER** until the countdown goes from 3 to 0.
 - Release **ENTER**.

The new bus address is saved.

- Switch to parameter 1.6 (return to operating level) and save the new setting:

- Press and hold down **MODE**,
- additionally quickly press **↑** 2 times,

The following is now shown in the display:



- Release **MODE**,
- Quickly press and release **↑** to select **NV_SAVE**,
- Press and hold down **ENTER** until the countdown goes from 3 to 0.

The new parameter setting is saved and the positioner automatically returns to the operating level. It continues in the operating mode that was active prior to the configuration level being called up.

Request information

When the device is in bus operation, the information listed below can be called up.

Press the following control buttons to access this information:







Control buttons	Action
	Cyclic communication: Set point in % and the set point status is displayed.
	Acyclic communication: Displays the communication status.
	Displays the bus address and operating mode.
Enter	Displays the software revision.

Operating modes

Selection from the operating level:

1. Press and hold down **MODE**.
2. Also press and release **↑** rapidly as often as required. The selected operating mode is displayed.
3. Release **MODE**.

The position is displayed in % or as a rotation angle.

Operating mode	Mode indicator	Position indicator
1.1 Positioning with fixed set point. Adjust set point by using ↑ or ↓ .		
1.2 Manual adjustment* in the operating range. Adjust with ↑ or ↓ **		
1.3 Manual adjustment* within the sensor range. Adjust with ↑ or ↓ **		

* Positioning not active.

** For high-speed mode, press **↑** and **↓** simultaneously.

Standard automatic adjustment

Note

Standard Auto Adjust does not always result in optimum control conditions.

Standard automatic adjustment for linear actuators*

1. **MODE** Press and hold until **ADJ_LIN** is displayed.
2. **MODE** Press and hold until the countdown ends.
3. Release **MODE**; this starts Autoadjust.

Standard automatic adjustment for rotary actuators*

1. **ENTER** Press and hold until **ADJ_ROT** is displayed.
2. **ENTER** Press and hold until the countdown ends.
3. Release **ENTER**; this starts Autoadjust.

If Autoadjust is successful, the parameters will be stored automatically and the positioner will revert to operating mode 1.1.

If an error occurs during Autoadjust, the process will be terminated with an error message.

Perform the following steps if an error occurs:

1. Press and hold down operating button **↑** or **↓** for approximately three seconds.

The unit will switch to the operating level, mode 1.3 (manual adjustment within the measuring range).

2. Check mechanical mounting in accordance with **Mechanical mounting** on page 23 and repeat the standard automatic adjustment.

* The zero position is determined automatically and saved during standard automatic adjustment, counter-clockwise (**CTCLOCKW**) for linear actuators and clockwise (**CLOCKW**) for rotary actuators.

... 9 Commissioning

Sample parameters

'Change the zero position of the LCD display from clockwise (CLOCKW) to counter-clockwise limit stop (CTCLOCKW)'

Initial situation: the positioner is in bus operation on the operating level.

- Switching to the configuration level:
 - Press and hold down **↑** and **↓** simultaneously,
 - additionally quickly press and release **ENTER**,
 - Wait for the countdown to go from 3 to 0,
 - Release **↑** and **↓**.

The following is now shown in the display:



- Switching to parameter group 3._:
 - Press and hold down **MODE** and **ENTER** simultaneously,
 - additionally quickly press and release **↑** 2x,

The following is now shown in the display:



- Release **MODE** and **ENTER**.

The following is now shown in the display:



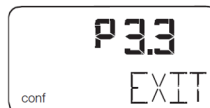
- Selecting parameter 3.2:
 - Press and hold down **MODE**,
 - additionally quickly press and release **↑** 2x,

The following is now shown in the display:



- Release **MODE**.

- Changing parameter settings:
 - Quickly press and release **↑** to select **CTCLOCKW**.
- Switching to parameter 3.3 (Return to operating level) and saving the new settings:
 - Press and hold down **MODE**,
 - additionally quickly press and release **↑** 2x,
 The following is now shown in the display:



- Release **MODE**,
- Quickly press and release **↑** to select **NV_SAVE**,
- Press **ENTER** and hold down until the countdown goes from 3 to 0.

The new parameter setting is saved and the positioner automatically returns to the operating level. It continues in the operating mode that was active prior to the configuration level being called up.

Setting the option modules

Setting the mechanical position indication

- Loosen the screws for the housing cover and remove it.
- Rotate the position indicator on the shaft to the desired position.
- Attach the housing cover and screw it onto the housing. Tighten the screws so that they are hand-tight.
- Attach the symbol label to mark the minimum and maximum valve positions on the housing cover.

Note

The labels are located on the inside of the housing cover.

Setting the mechanical limit switch with proximity switches

1. Loosen the screws for the housing cover and remove it.

CAUTION

Risk of injury!

The device includes slot sensors with sharp edges.

- Adjust the metal tags using a screwdriver only!

2. Set the upper and lower switching points for binary feedback as follows:
 - Select the 'Manual Adjustment' operating mode and move the final control element by hand into the lower switching position.
 - Using a screwdriver, adjust the metal tag of proximity switch 1 (lower contact) on the axis until contact is made, i. e., just before it is inserted in the proximity switch. The slot sensor enters proximity switch 1 when the feedback shaft is rotated clockwise (as viewed from the front).
 - Move the final control element by hand into the upper switching position.
 - Using a screwdriver, adjust the metal tag of proximity switch 2 (upper contact) on the axis until contact is made, i. e., just before it is inserted in the proximity switch. The slot sensor enters proximity switch 2 when the feedback shaft is rotated counter-clockwise (as viewed from the front).
3. Attach the housing cover and screw it onto the housing.
4. Tighten the screws so that they are hand-tight.

Setting the mechanical limit switch with 24 V microswitches

1. Loosen the screws for the housing cover and remove it.
2. Select the 'Manual Adjustment' operating mode and move the final control element by hand into the desired switching position for contact 1.
3. Set maximum contact (①, lower washer).
Fasten the upper washer with the special adjustment retainer and rotate the lower washer manually.
4. Select the 'Manual Adjustment' operating mode and move the final control element by hand into the desired switching position for contact 2.
5. Set minimum contact (②, upper washer);
Fasten the lower washer with the special adjustment retainer and rotate the upper washer manually.
6. Connect the microswitch.
7. Attach the housing cover and screw it on to the housing.
8. Tighten the screws so that they are hand-tight.

10 Operation

Safety instructions

⚠ CAUTION

Risk of injury due to incorrect parameter values!

Incorrect parameter values can cause the valve to move unexpectedly. This can lead to process failures and result in injuries.

- Before recommissioning a positioner that was previously in use at another location, always reset the device to its factory settings.
- Never start automatic adjustment before restoring the factory settings!

If there is a chance that safe operation is no longer possible, take the device out of operation and secure it against unintended startup.

Parameterization of the device

The LCD display features operating buttons which enable the device to be operated with the housing cover open.

Menu navigation

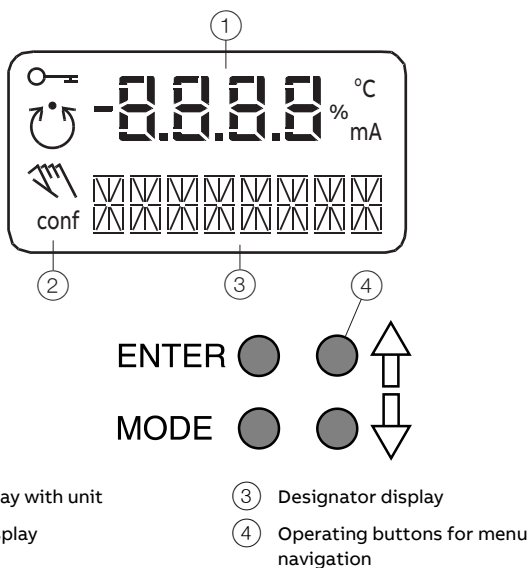


Figure 18: LCD display with operating buttons

Value display with unit

This 7-segment display with four digits indicates parameter values or parameter reference numbers. For values, the physical unit (°C, %, mA) is also displayed.

Designator display

This 14-segment display with eight digits indicates the designators of the parameters with their status, of the parameter groups, and of the operating modes.

Description of symbols

Symbol	Description
	Operation or access is restricted.
	Control loop is active. The symbol is displayed when the positioner is in operating mode 1.0 CTRL_ADP (adaptive control) or 1.1 CTRL_FIX (fixed control) at operating level. On the configuration level there are test functions for which the controller will be active as well. The control loop symbol will also be displayed when these functions are active.
	Manual adjustment. The symbol is displayed when the positioner is in operating mode 1.2 MANUAL (manual adjustment within the stroke range) or 1.3 MAN_SENS (manual adjustment within the measuring range) at operating level. At configuration level, manual adjustment is active when setting the valve range limits (parameter group 6 MIN_VR (min. of valve range) and 6 MAX_VR (max. of valve range)). The symbol will also be displayed when these parameters are being set.
conf	The configuration icon indicates that the positioner is at the configuration level. The control operation is inactive.

The four operating buttons **ENTER**, **MODE**, **↑** and **↓** are pressed individually or in certain combinations according to the function desired.

Operating button functions

Control button	Meaning
ENTER	<ul style="list-style-type: none"> • Acknowledge message • Start an action • Save in the non-volatile memory
MODE	<ul style="list-style-type: none"> • Choose operating mode (operating level) • Select parameter group or parameter (configuration level)
↑	UP direction button
↓	DOWN direction button
Press and hold all four buttons for 5 s	Reset

Menu levels

The positioner has two operating levels.

Operating level

On the operating level the positioner operates in one of four possible operating modes (two for automatic control and two for manual mode). Parameters cannot be changed or saved on this level.

Configuration level

On this level most of the parameters of the positioner can be changed locally. The PC is required to change the limit values for the movement counter, the travel counter, and the user-defined characteristic curve.

On the configuration level the active operating mode is deactivated. The I/P module is in neutral position. The control operation is inactive.

NOTICE

Property damage

During external configuration via a PC, the positioner no longer responds to the set point current. This may lead to process failures.

- Before any external parameterization, always move the actuator to the safety position and activate manual adjustment.

... 10Operation

HART® Parameter Overview

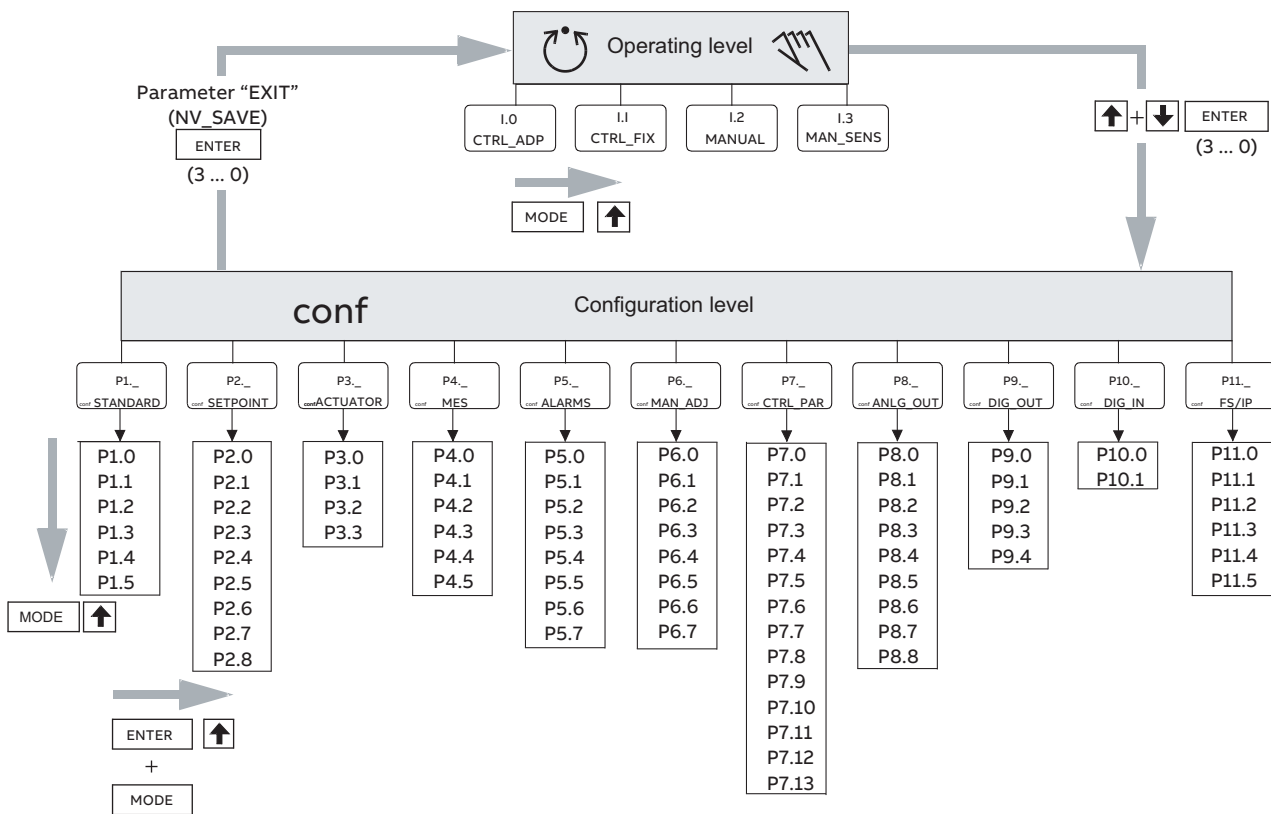


Figure 19: HART® Parameter Overview

Parameter descriptions

Parameter	Display	Function		Possible parameter setting	Unit	Factory setting
P1._	STANDARD					
P1.0	ACTUATOR	Actuator type	Actuator type	LINEAR, ROTARY	---	LINEAR
P1.1	AUTO_ADJ	Automatic adjustment	Autoadjust	Function	---	---
P1.2	ADJ_MODE	Auto adjust mode	Automatic adjustment mode	FULL_STROKE, CTRL_PAR, ZERO_POS, LOCKED	---	FULL
P1.3	TEST	Test	Test	Function	---	INACTIVE
P1.4	FIND_DEV	Find device	Find device	DISABLE, ONE TIME, CONTINOUS	---	DISABLE
P1.5	EXIT	Return	Return to operating level	Function	---	NV_SAVE
P2._	SETPOINT					
P2.0	MIN_RGE	Min setpoint range	Min. setpoint range	4.0 to 18.4	mA	4.0
P2.1	MAX_RGE	Max setpoint range	Max. setpoint range	20.0 to 5.6	mA	20.0
P2.2	CHARACT	Charact. curve	Characteristic curve	LINEAR, 1:25, 1:50, 25:1, 50:1, USERD	---	LINEAR
P2.3	ACTION	Valve action	Direction of action	DIRECT, REVERSE	---	DIRECT
P2.4	SHUT_CLS	Shut-off value 0%	Shut-off value 0 %	OFF, 0.1 to 45.0	%	1.0
P2.5	SHUT_OPN	Shut off value 100%	Shut-off value 100%	55.0 to 100.0, OFF	%	OFF
P2.6	RAMP UP	Set point ramp, up	Setpoint ramp (up)	OFF, 0 to 200	---	OFF
P2.7	RAMP DN	Set point ramp, down	Setpoint ramp (down)	OFF, 0 to 200	---	OFF
P2.8	EXIT	Return	Return to operating level	Function	---	NV_SAVE
P3._	ACTUATOR					
P3.0	MIN_RGE	Min. of stroke range	Operating range, min.	0.0 to 90.0	%	0.0
P3.1	MAX_RGE	Max. of stroke range	Operating range, max.	100.0 to 10.0	%	100
P3.2	ZERO_POS	Zero position	Zero position	CLOCKWISE, CTCLOCKWISE	---	CTCLOCKWISE
P3.3	EXIT	Return	Return to operating level	Function	---	NV_SAVE
P4._	MESSAGES					
P4.0	TIME_OUT	Control time out	Dead band time limit	OFF, to 200	---	OFF
P4.1	POS_SW1	Position switch 1	Switching point SW1	0.0 to 100.0	%	0.0
P4.2	POS_SW2	Position switch 2	Switching point SW2	0.0 to 100.0	%	100.0
P4.3	SW1_ACTV	Switchpoint 1 enable	Active direction SW1	FALL_BEL, EXCEED	---	FALL_BEL
P4.4	SW2_ACTV	Switchpoint 2 enable	Active direction SW2	FALL_BEL, EXCEED	---	EXCEED
P4.5	EXIT	Return	Return to operating level	Function	---	NV_SAVE
P5._	ALARMS					
P5.0	LEAKAGE	Leakage detection	Leakage to actuator	ACTIVE, INACTIVE	---	INACTIVE
P5.1	SP_RGE	Setpoint rng monitor	Outside the setpoint range	ACTIVE, INACTIVE	---	INACTIVE
P5.2	SENS_RGE	Sens. range monitor	Operating range exceeded	ACTIVE, INACTIVE	---	INACTIVE
P5.3	CTRLER	Controller monitor	Controller inactive	ACTIVE, INACTIVE	---	INACTIVE
P5.4	TIME_OUT	Control time out	Dead band time limit	ACTIVE, INACTIVE	---	INACTIVE
P5.5	STRK_CTR	Stroke counter	Movement counter	ACTIVE, INACTIVE	---	INACTIVE
P5.6	TRAVEL	Travel counter	Travel counter	ACTIVE, INACTIVE	---	INACTIVE
P5.7	EXIT	Return	Return to operating level	Function	---	NV_SAVE

... 10Operation

... HART® Parameter Overview

Parameter	Display	Function		Possible parameter setting	Unit	Factory setting
P6._	MAN_ADJ					
P6.0	MIN_VR	Min. valve range	Operating range, min.	0.0 to 100.0	%	0
P6.1	MAX_VR	Max. valve range	Operating range, max.	0.0 to 100.0	%	100
P6.2	ACTUATOR	Actuator type	Actuator type	LINEAR, ROTARY	---	LINEAR
P6.3	SPRNG_Y2	Spring action (Y2)	Spring action (Y2)	CLOCKWISE, CTCLOCKWISE	---	CTCLOCKWISE
P6.4	DANG_DN	Dead angle close	Dead angle 0 %	0.0 to 45.0	%	0.0
P6.5	DANG_UP	Dead angle open	Dead angle 100%	55.0 to 100.0	%	100.0
P6.6	BOLT_POS	Bolt position	Actuator position	LEVER, STEM	---	LEVER
P6.7	EXIT	Return	Return to operating level	Function	---	NV_SAVE
P7._	CTRL_PAR					
P7.0	KP UP	KP value, up	KP value (up)	0.1 to 120.0	---	5.0
P7.1	KP DN	KP value, down	KP value (down)	0.1 to 120.0	---	5.0
P7.2	TV UP	TV value, up	TV value (up)	10 to 450	---	200
P7.3	TV DN	TV value, down	TV value (down)	10 to 450	---	200
P7.4	Y-OFS UP	Y offset, up	Y offset (up)	0.0 to 100.0	%	48.0
P7.5	Y-OFS DN	Y offset, down	Y offset (down)	0.0 to 100.0	%	48.0
P7.6	TOL_BAND	Tolerance band (zone)	Tolerance band (zone)	0.3 to 10.0	%	1.5
P7.7	DEADBAND	Deadband	Dead band	0.10 to 10.00	%	12:10 AM
P7.8	DB_APPR	Deadband Approach	Dead-band approach	SLOW, MEDIUM, FAST		
P7.9	TEST	Test	Test	Function	---	INACTIVE
P7.10	DB_CALC	Deadband calculat.	Dead-band determination	ON, OFF	---	ON
P7.11	LEAK_SEN	Leakage sensivity	Leakage sensitivity	1 to 7200	S	30
P7.12	CLOSE_UP	Pos. time out	Position monitoring	0.0 to 100.0	%	30.0
P7.13	EXIT	Return	Return to operating level	Function	---	NV_SAVE

Parameter	Display	Function		Possible parameter setting	Unit	Factory setting
P8._	ANLG_OUT					
P8.0	MIN_RGE	Min. range	Min. current range	4.0 to 18.4	mA	4.0
P8.1	MAX_RGE	Max. range	Max. current range	20.0 to 5.7	mA	20.0
P8.2	ACTION	Action	Direction of action of characteristic curve	DIRECT, REVERSE	---	DIRECT
P8.3	ALARM	Alarm current	Alarm message	HIGH_CUR, LOW_CUR	---	HIGH_CUR
P8.4	RB_CHAR	Readback character.	Converted characters	DIRECT, RECALC	---	DIRECT
P8.5	TEST	Test	Test	Function	---	NONE
P8.6	ALR_ENAB	Alarm function enabled	Alarm via analog output	ON, OFF	---	ON
P8.7	CLIPPING	Current signal Signal clipping range	Extension of signal output to 3.8 to 20.5 mA	4.0 to 20.0; 3.8 to 20.5 mA	mA	4.0 bis 20.5
P8.8	EXIT	Return	Return to operating level	Function	---	---
P9._	DIG_OUT					
P9.0	ALRM_LOG	Alarm logic	Alarm output logic	ACTIVE_HI, ACTIVE_LO	---	ACTIVE_HI
P9.1	SW1_LOG	Switchpoint 1 logic	Logic SW1	ACTIVE_HI, ACTIVE_LO	---	ACTIVE_HI
P9.2	SW2_LOG	Switchpoint 2 logic	Logic SW2	ACTIVE_HI, ACTIVE_LO	---	ACTIVE_HI
P9.3	TEST	Test	Test	Function	---	NONE
P9.4	EXIT	Return	Return to operating level	Function	---	NV_SAVE
P10._	DIG_IN					
P10.0	FUNCTION	Function select	Function selection	NONE, POS_0 %, POS_100 %, POS_HOLD	---	NONE
P10.1	EXIT	Return	Return to operating level	Function	---	---
P11._	FS / IP					
P11.0	FAIL_POS	Save position	Safe position	ACTIVE, INACTIVE	---	INACTIVE
P11.1	FACT_SET	Factory setting	Factory setting	Function	---	START
P11.2	IP-TYP	I/P module type	Type of I/P module	NO_F_POS, F_SAFE_1, F_SAFE_2, F_FREEZE1, F_FREEZE2	---	[CUSTOM]
P11.3*	IP_COMP	IP compensation	IP compensation	ON, OFF	---	ON
P11.4	HART_REV	HART revision	HART revision	5; 7	---	5
P11.5	EXIT	Return	Return to operating level	Function	---	NV_SAVE

* Activation by ABB Service only

... 10Operation

TZIDC-210, -220 parameter overview

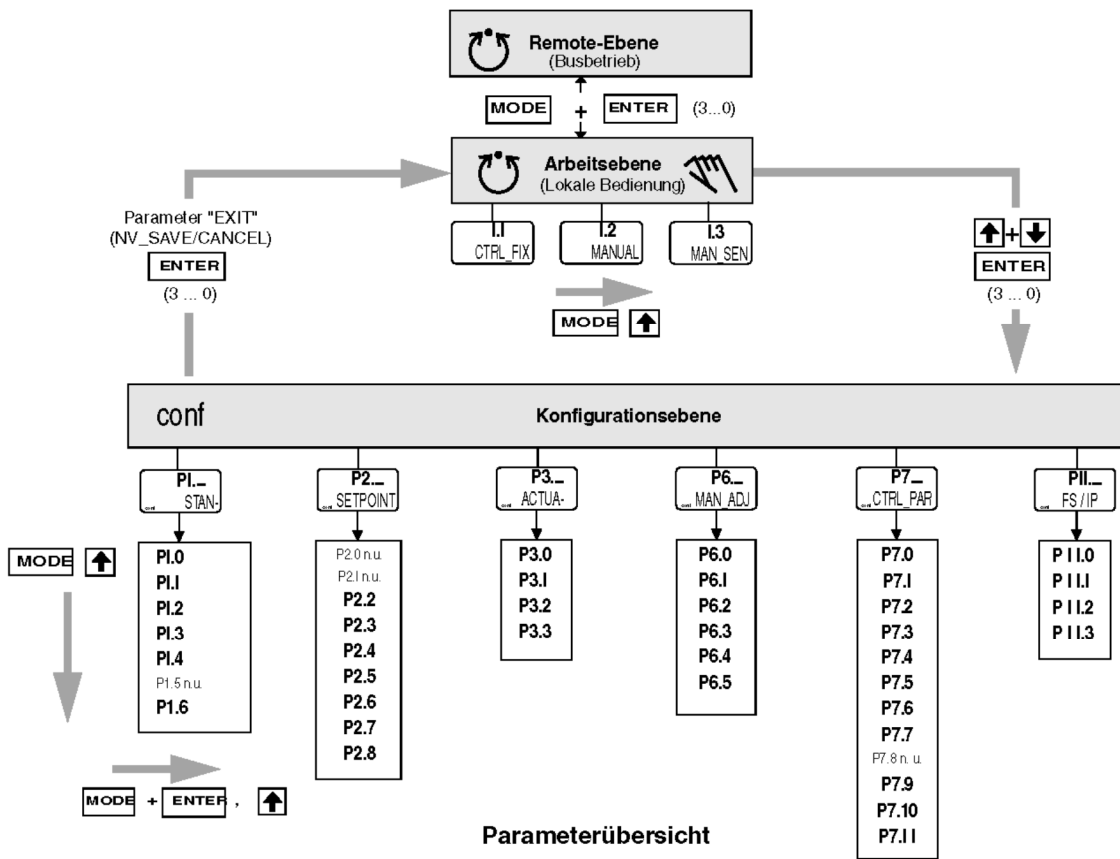


Figure 20: TZIDC-1x0, -2x0 parameter overview

Parameter descriptions

ParameterDisplay	Function	Possible parameter setting	Unit	Factory setting		
P1._	STANDARD					
P1.0	ACTUATOR	Actuator type	Actuator type	LINEAR, ROTARY	---	LINEAR
P1.1	AUTO_ADJ	Automatic adjustment	Autoadjust	Function	---	---
P1.2	TOL_BAND	Tolerance band	Tolerance band	0.30 bis 10.00	%	0.30
P1.3	DEADBAND	DEAD BAND	Dead band	0.10 bis 10.00	%	0.10
P1.4	TEST	Test	Test	Function	---	---
P1.5*	ADRESS	Bus address		1 bis 126	---	126
P1.6	EXIT	Return	Return to operating level	Function	---	---
P2._	SETPOINT					
P2.0					---	---
P2.1					---	---
P2.2	CHARACT	Charact. curve	Characteristic curve	LINEAR, 1:25, 1:50, 25:1, 50:1, USERD	---	LINEAR
P2.3	ACTION	Valve action	Direction of action	DIRECT, REVERSE	---	DIRECT
P2.4	SHUT_CLS	Shut-off value 0%	Shut-off value 0 %	OFF, 0.1 to 45.0	%	OFF
P2.5	RAMP UP	Set point ramp, up	Setpoint ramp (up)	0.1 to 999.9	sec	OFF
P2.6	RAMP DN	Set point ramp, down	Setpoint ramp (down)	0.1 to 999.9	sec	OFF
P2.7	SHUT_OPN	Shut off value 100%	Shut-off value 100%	OFF, 80.0 to 100	%	OFF
P2.8	EXIT	Return	Return to operating level	Function	---	---
P3._	ACTUATOR					
P3.0	MIN_RGE	Min. of stroke range	Operating range, min.	0.0 to 100.0	%	0.0
P3.1	MAX_RGE	Max. of stroke range	Operating range, max.	0.0 to 100.0	%	100
P3.2	ZERO_POS	Zero position	Zero position	CLOCKWISE, CTCLOCKWISE	---	CTCLOCKWISE
P3.3	EXIT	Return	Return to operating level	Function	---	---
P4._, P5._					---	---
P6._	MAN_ADJ					
P6.0	MIN_VR	Min. valve range	Operating range, min.	0.0 to 100.0	%	0
P6.1	MAX_VR	Max. valve range	Operating range, max.	0.0 to 100.0	%	100
P6.2	ACTUATOR	Actuator type	Actuator type	LINEAR, ROTARY	---	LINEAR
P6.3	SPRNG_Y2	Spring action (Y2)	Spring action (Y2)	CLOCKWISE, CTCLOCKWISE	---	CTCLOCKWISE
P6.4	ADJ_MODE	Auto adjust mode	Dead angle 0 %	FULL, STROKE, CTRL_PAR, ZERO_POS, LOCKED	---	FULL
P6.5	EXIT	Return	Return to operating level	Function	---	NV_SAVE
P7._	CTRL_PAR					
P7.0	KP UP	KP value, up	KP value (up)	1.0 to 100.0	---	1.0
P7.1	KP DN	KP value, down	KP value (down)	1.0 to 100.0	---	1.0
P7.2	TV UP	TV value, up	TV value (up)	0 to 1000	msec	100
P7.3	TV DN	TV value, down	TV value (down)	0 to 1000	msec	100
P7.4	GOPULS UP	Go pulse, up		0 to 200	msec	0

... 10 Operation

... TZIDC-210, -220 parameter overview

ParameterDisplay	Function	Possible parameter setting	Unit	Factory setting	
P7.5	GOPULS DOWN Go pulse, down	0 to 200	msec	0	
P7.6	Y-OFS UP Y offset, up	Y offset (up)	Y-Min to 100.0	%	40.0
P7.7	Y-OFS DN Y offset, down	Y offset (down)	Y-Min to 100.0	%	40.0
P7.8			---	---	
P7.9	TOL_BAND Tolerance band (zone)	Tolerance band (zone)	0.3 to 10.0	%	0.8
P7.10	TEST Test	Test	Function	---	INACTIVE
P7.11	EXIT Return	Return to operating level	Function	---	NV_SAVE
P8._, P9._,					
P10._					
P11._	FS / IP				
P11.0	FAIL_POS Save position	Safe position	ACTIVE, INACTIVE	---	INACTIVE
P11.1	FACT_SET Factory setting	Factory setting	Function	---	---
P11.2	IP-TYP I/P module type	Type of I/P module	NO_F_POS, F_SAFE_1, F_SAFE_2, F_FREEZE1, F_FREEZE2	---	NO_F_POS
P11.3	EXIT Return	Return to operating level	Function	---	---

* Activation by ABB Service only

Note

For detailed information on the parameterization of the device, consult the associated configuration and parameterization instructions.

11 Diagnosis / error messages

TZIDC error codes

Error code	Possible cause	Impact	Troubleshooting the Instrument
ERROR 10	The supply voltage was interrupted for at least 20 ms. (This error is displayed after resetting the device to indicate the reason for the reset.)	-	Check the power source and the wiring.
ERROR 11	The supply voltage has fallen below the minimum voltage.	The actuator is moved to the safe position. After approx. 5 seconds, the positioner is automatically reset and starts up again with the message ERROR 10 . If a local communication interface (LCI) is plugged in, the device will enter the operating mode LCI supply.	Check the power source and the wiring.
ERROR 12	The position is outside the measuring range. Possible reason is a malfunction in the position sensor.	In control mode: <ul style="list-style-type: none"> The actuator is moved to the safe position. On the configuration level: <ul style="list-style-type: none"> The output is set to neutral until a button is pressed. After approx. 5 seconds the positioner is automatically reset in control mode and on the configuration level. 	Check the mounting.
ERROR 13	Invalid input current. This display indicates when the setpoint signal is overridden. The actuator is moved to the safe position.	-	Check the power source and the wiring.
ERROR 20	No access possible to the data in the EEPROM.	The actuator is moved to the safe position. After approx. 5 seconds, the positioner is automatically reset. Attempts are made to restore the data. This compensates for intermittent errors in the communication environment with the EEPROM.	If there is still no access to the EEPROM data after resetting the device, load the factory settings. If the error still persists, the device must be returned for repair to the manufacturer.

... 11 Diagnosis / error messages

... TZIDC error codes

Error code	Possible cause	Impact	Troubleshooting the Instrument
ERROR 21	Error while processing the measured values, pointing to an error in the working data (RAM).	The actuator is moved to the safe position. After approx. 5 seconds, the positioner is automatically reset and the RAM is reinitialized.	If the error persists even after the positioner has been reset, the device will need to be returned to the manufacturer for repair.
ERROR 22	Error during the table processing, pointing to an error in the working data (RAM).	The actuator is moved to the safe position. After approx. 5 seconds, the positioner is automatically reset and the RAM is reinitialized.	If the error persists even after the positioner has been reset, the device will need to be returned to the manufacturer for repair.
ERROR 23	Error when verifying the checksum of the configuration data (RAM).	The actuator is moved to the safe position. After approx. 5 seconds, the positioner is automatically reset and the RAM is reinitialized.	If the error persists even after the positioner has been reset, the device will need to be returned to the manufacturer for repair.
ERROR 24	Error in the processor function registers (RAM).	The actuator is moved to the safe position. After approx. 5 seconds, the positioner is automatically reset and the RAM is reinitialized.	If the error persists even after the positioner has been reset, the device will need to be returned to the manufacturer for repair.
ERROR 50 ⋮ ERROR 99	Internal error.	The actuator is moved to the safe position. After approx. 5 seconds, the positioner is automatically reset.	If the error can be reproduced and occurs in the same position after resetting, the device must be returned for repair to the manufacturer.

TZIDC-210, TZIDC-220 error codes

Error code	Possible cause	Impact	Troubleshooting the Instrument
NW_ERROR	Defective memory chip	Device does not boot up.	Return the device for repair.
TIMEOUT	Automatic adjustment function lasts too long.	Automatic adjustment function is aborted.	Increase the supply pressure or use boosters.
OUTOFRNG	Mounting conditions not correct. Position outside sensor range.	Autoadjust function is aborted.	Check mounting conditions.
CALL_ERR	<ol style="list-style-type: none"> Inconsistent data, e.g., low value > than high value, or incorrect configuration. Data cannot be saved locally, as PROFIBUS saves data in the background. 	<ol style="list-style-type: none"> Automatic adjustment is aborted. Saving is not possible. 	<ol style="list-style-type: none"> Correct values or load factory settings. Try again at a later point.
NO_F_POS	The device is not in the safe position.		Move the device to the safe position.
ERROR	<p>Alarm message (can only be read out using the DTM).</p> <ul style="list-style-type: none"> Temperature alarm Automatic adjustment has failed Zero point has shifted Device reset Maintenance required Motion counter limit value up-scaled Travel counter limit value up-scaled Limit switch 1 up-scaled Limit switch 2 up-scaled Position outside operating range Position outside sensor range Invalid set point Local operating mode requested Local operating mode active Simulation active Controller deactivated 	See DTM online help	See DTM online help
NO_COMM	No PROFIBUS communication.	No PROFIBUS communication.	Check bus address and status bit (128).
SENS_ERR	Position sensor defective	Device moves to safety position.	Return the device for repair.
MEM_ERR	Defective memory chip	Device does not boot up.	Return the device for repair.

... 11 Diagnosis / error messages

Alarm codes

Alarm code	Possible cause	Impact	Troubleshooting the Instrument
ALARM 1	Leakage between positioner and actuator	Depending on how well the leakage can be compensated, small control actions are required at regular intervals.	Check the piping.
ALARM 2	The setpoint current is outside the permissible range, i.e. it is < 3.8 mA or > 20.5 mA.	–	Check the power source.
ALARM 3	Alarm of the zero monitor. The zero position has shifted by more than 4 %.	– In control mode, a position outside the valve range can only be reached by moving to the limit stops, as the setpoint is limited from 0 to 100 %	Correct the mounting.
ALARM 4	Controlling is inactive, because the device does not operate in control mode or the binary input is active.	The controller does not follow the setpoint.	Switch to control mode or switch off the binary input.
ALARM 5	Positioning timed out. The settling time needed exceeds the configured stroke time.	None, or adaptive control is performed (in adaptive mode).	Ensure that <ul style="list-style-type: none"> • the actuator is not blocked. • the supply air pressure is adequately high. • the specified time limit is higher than 1.5 times the longest stroke time of the actuator. If adaption cannot run uninterruptedly for an actuator, adaption should be switched on until the alarm does not occur anymore during controlling actions.
ALARM 6	The defined limit value for the stroke counter has been exceeded.	–	Reset the counter (only possible via a connected PC with suitable software).
ALARM 7	The specified limit value for the travel counter has been exceeded.	–	Reset the counter (only possible via a connected PC with suitable software).

Message codes

Message codes	Message description
BREAK	Action stopped by operator.
CALC_ERR	Error during plausibility check.
COMPLETE	Action completed, acknowledgment required.
EEPROM_ERR	Memory error, data could not be saved.
FAIL_POS	Safe position is active, action cannot be executed.
NOF_POS	Safe position required, but not active.
NO_SCALE	Valve range limits have not yet been determined; therefore, partial Autoadjust cannot be run.
NV_SAVE	Data is saved in the non-volatile memory.
OUTOFRNG	Measuring range is exceeded, Auto Adjust was automatically stopped.
LOAD	Data (factory settings) are being loaded.
RNG_ERR	Less than 10 % of the measuring range is used.
RUN	Action running.
SIMUL	Simulation has been started externally from a PC via HART® protocol; switch outputs, alarm output and analog position feedback are no longer influenced by the process.
SPR_ERR	Actual spring action is different from the adjusted one.
TIMEOUT	Time-out; parameter could not be determined within two minutes; Autoadjust was automatically stopped.

12 Maintenance

The positioner does not require any maintenance if it is used as intended under normal operating conditions.

Note

Manipulation by users shall immediately render the warranty for the device invalid.

To ensure fault-free operation, it is essential that the device is supplied with instrument air that is free of oil, water, and dust.

13 Repair

Repair and maintenance activities may only be performed by authorized customer service personnel.

When replacing or repairing individual components, use original spare parts.

Returning devices

Use the original packaging or a secure transport container of an appropriate type if you need to return the device for repair or recalibration purposes.

Fill out the return form (see **Return form** on page 58) and include this with the device.

In accordance with the EU Directive governing hazardous materials, the owner of hazardous waste is responsible for its disposal or must observe the following regulations for shipping purposes:

All devices delivered to ABB must be free from any hazardous materials (acids, alkalis, solvents, etc.).

Please contact Customer Center Service acc. to page 5 for nearest service location.

14 Recycling and disposal

Note



Products that are marked with the adjacent symbol may **not** be disposed of as unsorted municipal waste (domestic waste).

They should be disposed of through separate collection of electric and electronic devices.

This product and its packaging are manufactured from materials that can be recycled by specialist recycling companies.

Bear the following points in mind when disposing of them:

- As of 8/15/2018, this product will be under the open scope of the WEEE Directive 2012/19/EU and relevant national laws (for example, ElektroG - Electrical Equipment Act - in Germany).
- The product must be supplied to a specialist recycling company. Do not use municipal waste collection points. These may be used for privately used products only in accordance with WEEE Directive 2012/19/EU.
- If there is no possibility to dispose of the old equipment properly, our Service can take care of its pick-up and disposal for a fee.

15 Additional documents

Note

All documentation, declarations of conformity and certificates are available in ABB's download area.

www.abb.com/positioners

16 Appendix

Return form

Statement on the contamination of devices and components

Repair and/or maintenance work will only be performed on devices and components if a statement form has been completed and submitted.

Otherwise, the device/component returned may be rejected. This statement form may only be completed and signed by authorized specialist personnel employed by the operator.

Customer details:

Company: _____

Address: _____

Contact person: _____ Telephone: _____

Fax: _____ Email: _____

Device details:

Type: _____ Serial no.: _____

Reason for the return/description of the defect: _____

Was this device used in conjunction with substances which pose a threat or risk to health?

Yes No

If yes, which type of contamination (please place an X next to the applicable items):

biological corrosive / irritating combustible (highly / extremely combustible)

toxic explosive other toxic substances

radioactive

Which substances have come into contact with the device?

1. _____

2. _____

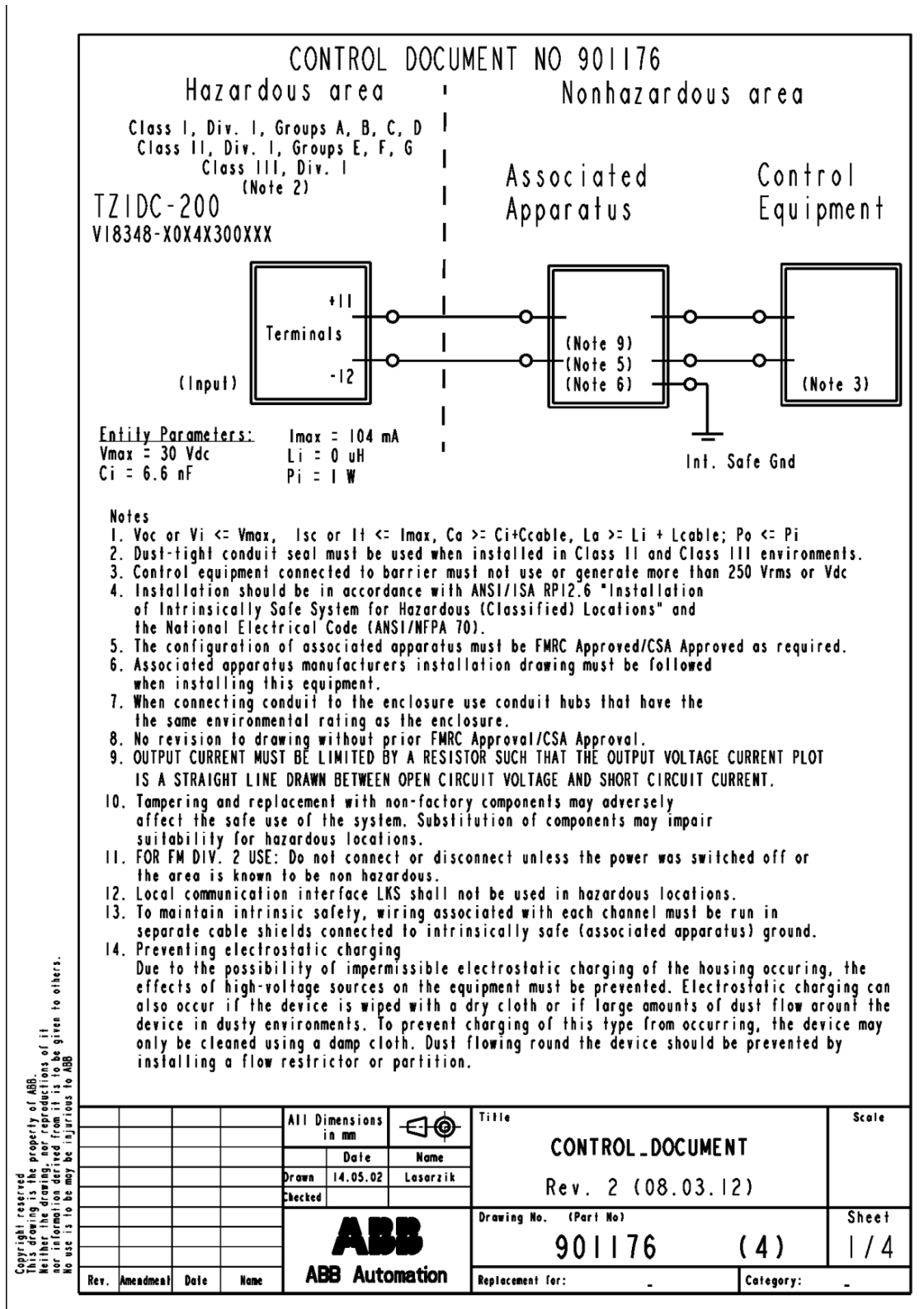
3. _____

We hereby state that the devices/components shipped have been cleaned and are free from any dangerous or poisonous substances.

Town/city, date

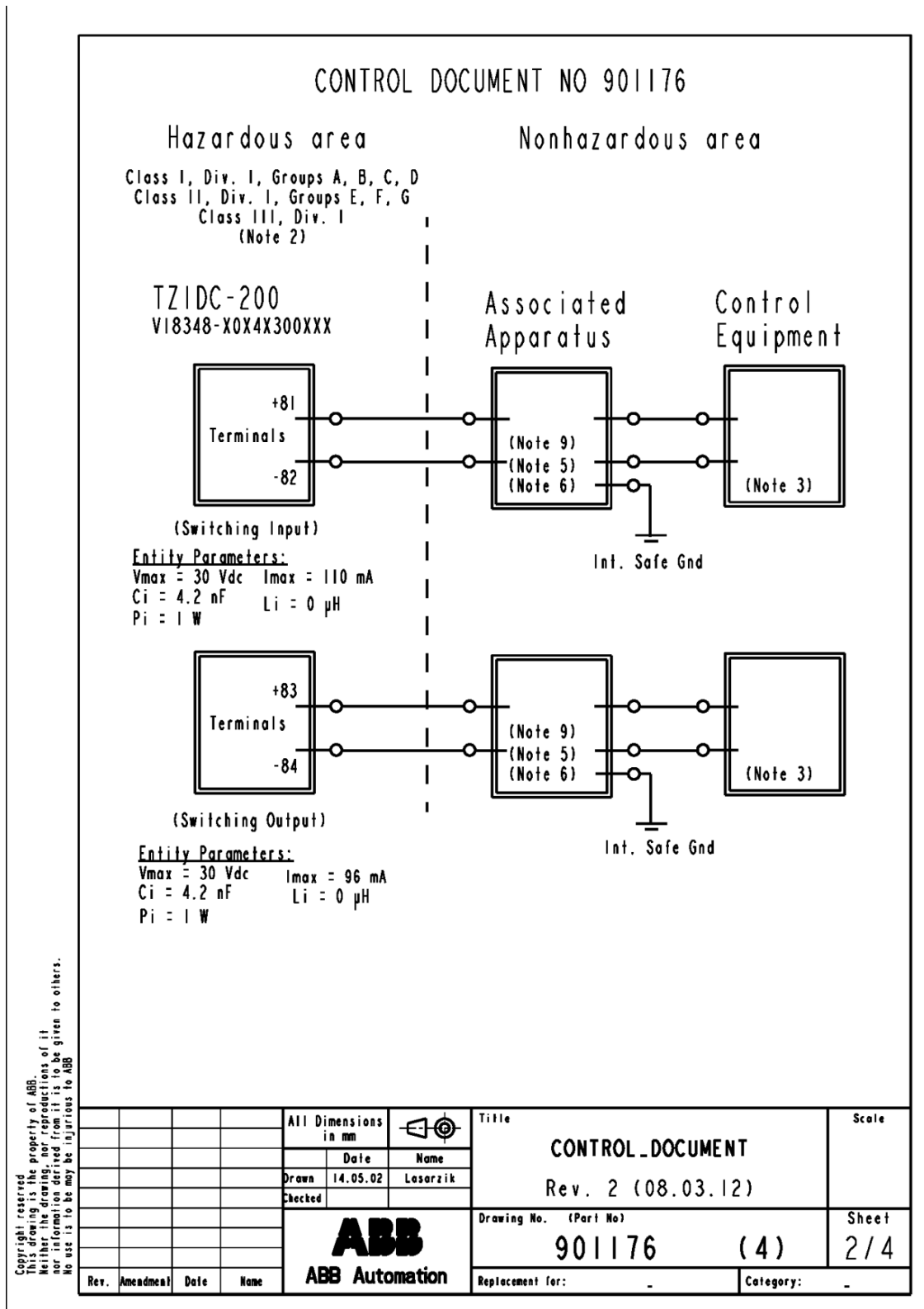
Signature and company stamp

FM installation drawing No. 901176



... 16 Appendix

... FM installation drawing No. 901176



CONTROL DOCUMENT NO 901176

Hazardous area

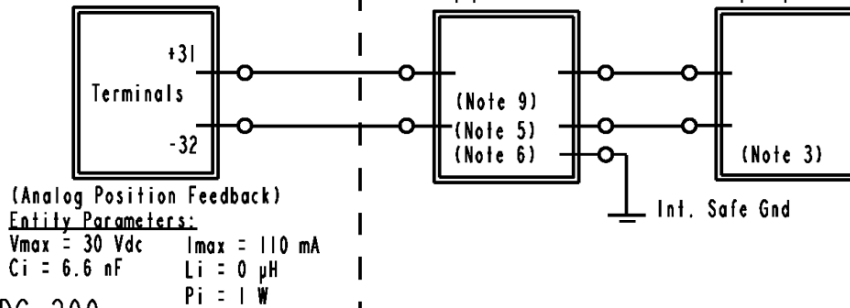
Nonhazardous area

Class I, Div. 1, Groups A, B, C, D
 Class II, Div. 1, Groups E, F, G
 Class III, Div. 1
 (Note 2)

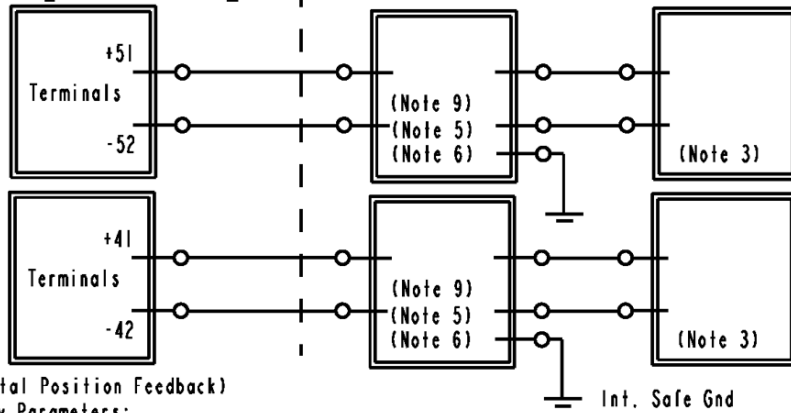
TZIDC-200
 VI8348-XOX4X310XXX or XOX4X340XXX

Associated Apparatus

Control Equipment



TZIDC-200
 VI8348-XOX4X330XXX or XOX4X340XXX

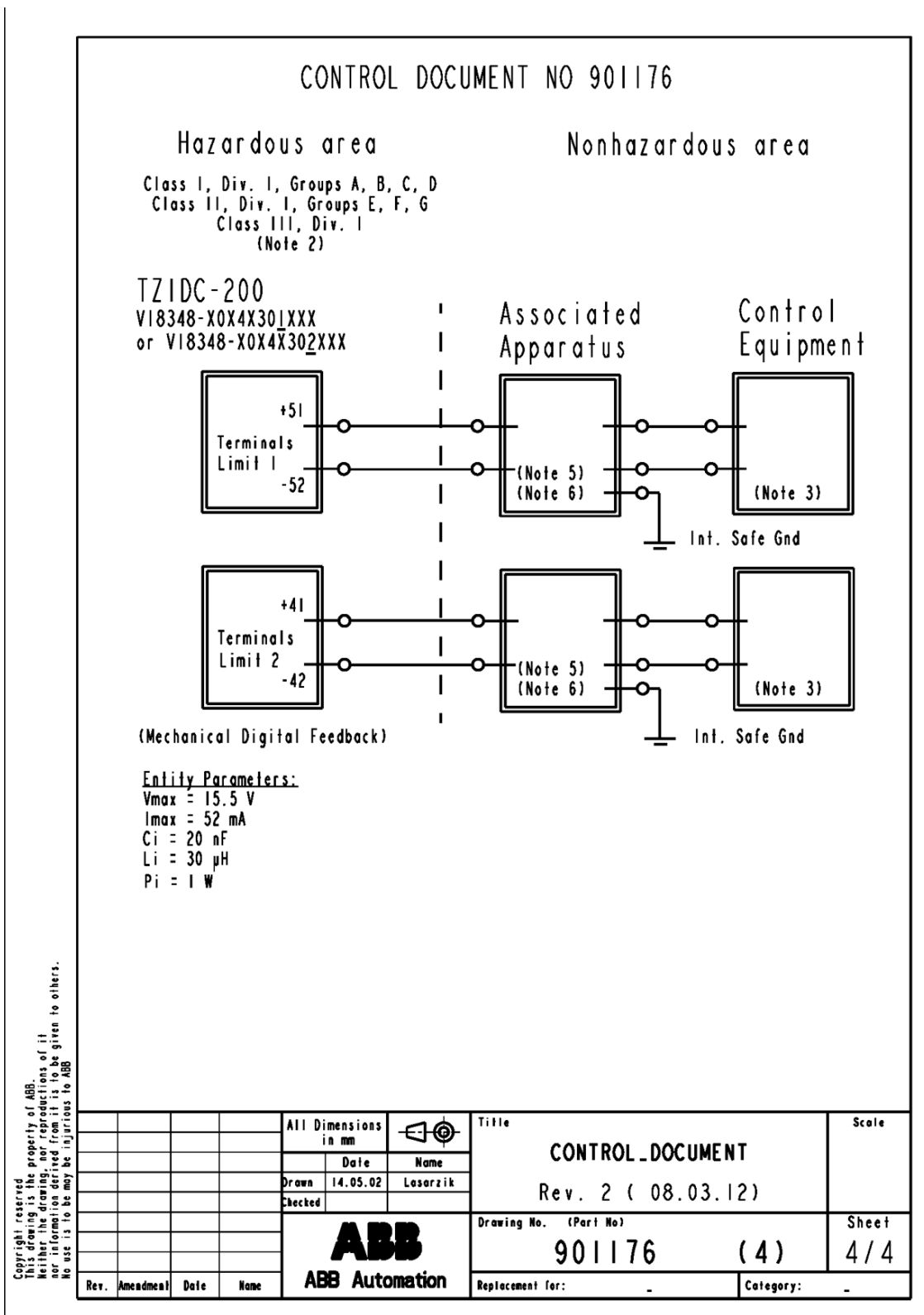


Copyright reserved
 This drawing is the property of ABB.
 Neither the drawing, nor reproductions of it
 nor information derived from it is to be given to others.
 No use is to be made by any third party without the written
 permission of ABB.

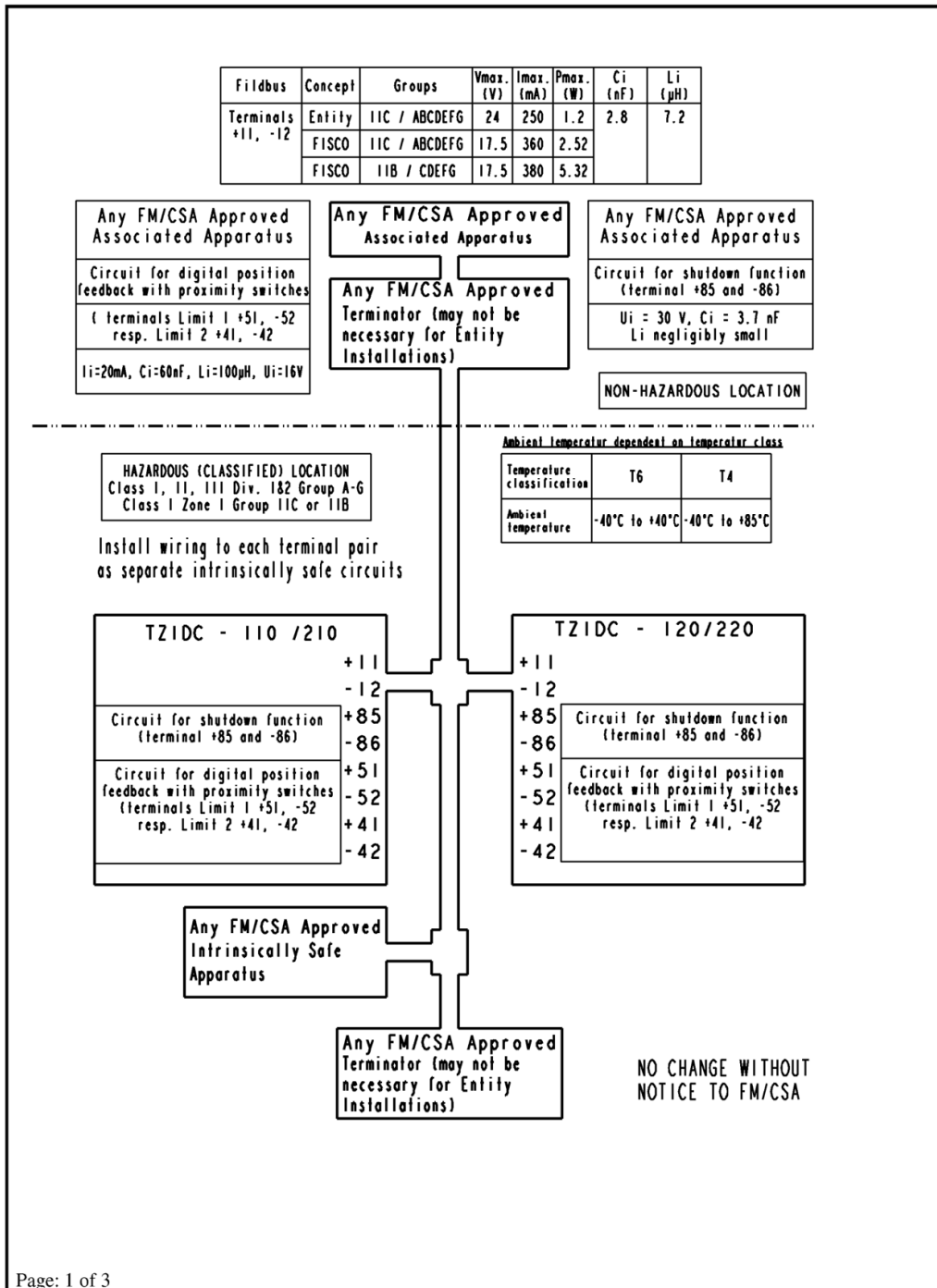
		All Dimensions in mm		Title		Scale	
		Date		CONTROL DOCUMENT			
		Name		Rev. 2 (08.03.12)			
		Drawn 14.05.02		Lasorzik			
		Checked					
		 ABB Automation		Drawing No. (Part No)		Sheet	
				901176 (4)		3/4	
Rev.	Amendment	Date	Name	Replacement for:		Category:	
				-		-	

... 16 Appendix

... FM installation drawing No. 901176



FM installation drawing No. 901265




Page: 1 of 3

-	-	2003	Date	Name	Title	Scale
		Name	27.03.03	Thiem.	FM/CSA-Control-Document	/
		Appr.				
		Std.				
3	Rev.2	26.06.06	Thie.	ABB Automation Products	Drwg.-No. (Part-No.)	
2	Rev.1	22.05.06	Thie.		901265	
1	Rev.0	27.03.	Thie.			
Rev.	Chang	Date	Name		Supersedes Dwg.:	Part Class:

... 16 Appendix

... FM installation drawing No. 901265

Page: 2 of 3							
FM/CSA-CONTROL-DOCUMENT_901265							
FISCO rules							
<p>The FISCO Concept allows the interconnection of intrinsically safe apparatus to associated apparatus not specifically examined in such combination. The criterion for such interconnection is that the voltage (V_{max}), the current (I_{max}) and the power (P_i) which intrinsically safe apparatus can receive and remain intrinsically safe, considering faults, must be equal or greater than the voltage (U_o, V_{oc}, V_t), the current (I_o, I_{sc}, I_t), and the power (P_o) which can be provided by the associated apparatus (supply unit). In addition, the maximum unprotected residual capacitance (C_i) and inductance (L_i) of each apparatus (other than the terminators) connected to the Fieldbus must be less than or equal to 5nF and 10 μH respectively.</p> <p>In each I.S. Fieldbus segment only one active source, normally the associated apparatus, is allowed to provide the necessary power for the Fieldbus system. The allowed voltage (U_o, V_{oc}, V_t) of the associated apparatus used to supply the bus must be limited to the range of 14V d.c. to 24V d.c. All other equipment connected to the bus cable has to be passive, meaning that the apparatus is not allowed to provide energy to the system, except to a leakage current of 50 μA for each connected device. Separately powered equipment needs a galvanic Isolation to insure that the intrinsically safe Fieldbus circuit remains passive.</p> <p>The cable used to interconnect the devices needs to comply with the following parameters:</p> <p>Loop resistance R': 15...150 Ω/km Inductance per unit length L': 0.4...1mH/km Capacitance per unit length C': 80...200 nF / km $C' = C' \text{ line/line} + 0.5C' \text{ line/screen}$, if both lines are floating or $C' = C' \text{ line/line} + C' \text{ Line/screen}$, if the screen is connected to one line Length of spur cable: max. 30m Length of trunk cable: max. 1km Length of splice: max. 1m Terminators At each end of the trunk cable an approved line terminator with the following parameters is suitable: $R = 90...100 \Omega$ $C = 0...2.2 \mu\text{F}$.</p> <p>System evaluation The number of passive devices like transmitters, actuators, connected to a single bus segment is not limited due to I.S. Reasons. Furthermore, if the above rules are respected, the inductance and capacitance of the cable need not to be considered and will not impair the intrinsic safety of the installation.</p>							
-	-						
				2003	Date	Name	Title
					27.03.03	Thiem.	FM/CSA-Control-Document
							/
3	Rev.2	26.06.06	Thie.	 Automation Products			Drwg.-No. (Part-No.)
2	Rev.1	22.05.06	Thie.				901265
1	Rev.0	27.03.	Thie.				
Rev.	Chang	Date	Name				
						Supersedes Dwg.:	Part Class:

Page: 3 of 3

FM/CSA-CONTROL-DOCUMENT_901265

Installation Notes For FISCO and Entity Concepts:

1. The Intrinsic Safety Entity concept allows the interconnection of FM/CSA Approved Intrinsically safe devices with entity parameters not specifically examined in combination as a system when:
 U_o or V_{oc} or $V_t \leq V_{max}$, I_o or I_{sc} or $I_t \leq I_{max}$, $P_o \leq P_i$. C_a or $C_o \geq \sum C_i + \sum C_{cable}$.
 For inductance use either L_a or $L_o \geq \sum L_i + \sum L_{cable}$ or $L_c / R_c \leq (L_a / R_a \text{ or } L_o / R_o)$ and $L_i / R_i \leq (L_a / R_a \text{ or } L_o / R_o)$
2. The Intrinsic Safety FISCO concept allows the interconnecting of FM/CSA Approved Intrinsically safe devices with FISCO parameters not specifically examine in combination as a system when: U_o or V_{oc} or $V_t \leq V_{max}$, I_o or I_{sc} or $I_t \leq I_{max}$, $P_o \leq P_i$.
3. Control equipment connected to the Associated Apparatus must not use or generate more than 250 Vrms or Vdc.
4. Installation should be in accordance with ANSI/ISA RP12.6 (except chapter 5 for FISCO Installations) "Installation of Intrinsically Safe System for Hazardous (Classified) Locations" and the National Electrical Code® (ANSI/NFPA 70) Sections 504 and 505.
5. The configuration of associated Apparatus must be Factory Mutual Research /Canadian Standards Association Approved under the associated concept.
6. Associated Apparatus manufacturer's installation drawing must be followed when installing this equipment.
7. No revision to drawing without prior Factory Mutual Research Approval/Canadian Standards Association.
8. Special conditions for safe use
 The operation of the local communication interface (LKS) and of the programming interface (X5) is only allowed outside of the Hazardous explosive area.

NONINCENDIVE, CLASS I, DIV. 2, GROUP A, B, C, D, AND FOR CLASS II AND III, DIV. 1&2, GROUP E, F, G

HAZARDOUS LOCATION INSTALLATION.

1. Install per National Electrical Code (NEC) using threaded metal conduit. Intrinsic safety barrier required. Max. Supply voltage 30 V. For T-code see table.
2. A dust tight seal must be used at the conduit entry when the positioner is used in a Class II & III Location.
3. **WARNING:** Explosion Hazard – do not disconnect equipment unless power has been switched off or the area is known to be Non-Hazardous.
WARNING: Substitution of components may impair suitability for hazardous locations.

-	-			2003	Date	Name	Title	Scale
				Name	27.03.03	Thiem.	FM/CSA-Control-Document	/
				Appr.				
				Std.				
3	Rev.2	26.06.06	Thie.	ABB Automation Products			Drwg.-No. (Part-No.)	
2	Rev.1	22.05.06	Thie.				901265	
1	Rev.0	27.03.	Thie.					
Rev.	Chang	Date	Name				Supersedes Dwg. :	Part Class:

Trademarks

HART is a registered trademark of FieldComm Group, Austin, Texas, USA

FOUNDATION Fieldbus is a registered trademark of FieldComm Group, Austin, Texas, USA.

PROFIBUS and PROFIBUS PA are registered trademarks of PROFIBUS & PROFINET International (PI)

Notes

—

ABB Limited Measurement & Analytics Howard Road, St. Neots Cambridgeshire, PE19 8EU UK Tel: +44 (0)870 600 6122 Fax: +44 (0)1480 213 339 Email: enquiries.mp.uk@gb.abb.com	ABB Inc. Measurement & Analytics 125 E. County Line Road Warminster, PA 18974 USA Tel: +1 215 674 6000 Fax: +1 215 674 7183
---	---

ABB Automation Products GmbH
Measurement & Analytics
Schillerstr. 72
32425 Minden
Germany
Tel: +49 571 830-0
Fax: +49 571 830-1806

abb.com/positioners

—

We reserve the right to make technical changes or modify the contents of this document without prior notice. With regard to purchase orders, the agreed particulars shall prevail. ABB does not accept any responsibility whatsoever for potential errors or possible lack of information in this document.

We reserve all rights in this document and in the subject matter and illustrations contained therein. Any reproduction, disclosure to third parties or utilization of its contents – in whole or in parts – is forbidden without prior written consent of ABB.

Copyright© 2018 ABB
All rights reserved

3KXE341008R4201

