

inert gas filled thermometers, anti-vibration all stainless steel construction DS 4" (100 mm)



These instruments are designed to measure the waste gas of diesel engines. They are built to resist to the most severe operating conditions created by high temperature and by the diesel engines vibrations.

6.TA8 - Standard Model

Measuring range: 0...650 °C/°F (other ranges on request).

Accuracy class: 1 as per EN 13190, measuring range.

Overtemperature limit: not suitable.

Ambient temperature: -13...+149 °F (-25...+65 °C).

Max working pressure: 360 psi - 25 bar (without thermowell).

Protection degree: IP 67 as per EN 60529/IEC 529.

Process connection: AISI 303 st.st.

Bulb: AISI 316 st.st.

S24 - ø 0.37" (9,5 mm), with rigid extension ø 0.5" (12,7 mm).

Immersion length: 5.51"...17.72" (140...450 mm);

Measuring element: inert gas filled expansion system.

Case: AISI304 st.st.

Ring: AISI304 st.st, bayonet lock.

Window: tempered glass.

Movement: stainless steel.

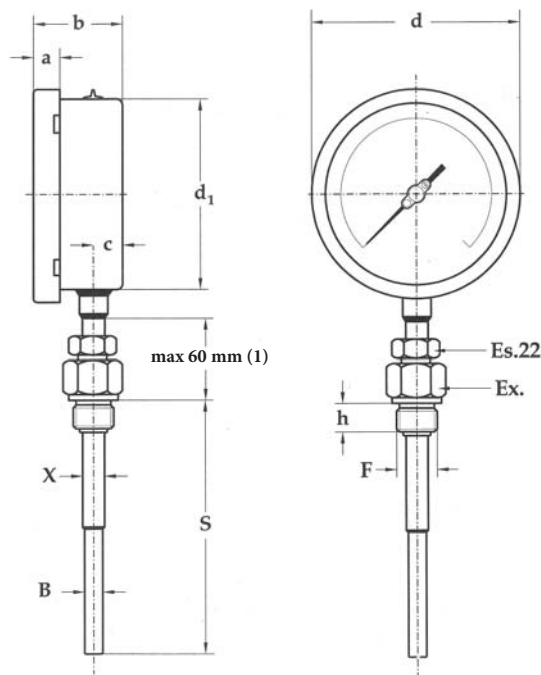
Dial: aluminium, white with black and red markings.

Pointer: adjustable, aluminium, black.

Filling liquid: high viscosity silicone oil.

Internal compensation device: by a bimetallic linkage.

Gasket: siliconic gum.



F	Ex.	h
41M	1.06"	0.55"
G 1/2 A	(27)	(14)
43M	0.94"	0.67"
1/2-14 NPT	(24)	(17)

I - LOWER CONNECTION

a	b	c	d	d ₁	ø X	ø B	S
0.51"	1.89"	0.61"	4.35"	3.98"	0.50"	0.37"	5.51...17.72"
(13)	(48)	(15,5)	(110,6)	(101)	(12,7)	(9,5)	(140...450)

(1) For a longer instrument life do not settle the sliding connection at a higher level than the one indicated.

dimensions : inches (mm)

“HOW TO ORDER” SEQUENCE

Section / Model / Mounting / Connection type / Diameter / Range / Process connection / Bulb type and length / Options
6 TA8 1 9 E 41M 43M S24

