

differential pressure gauges PN 100 with single diaphragm DS 6" (150mm)



PED 2014/68/UE ATEX 2014/34/UE

These instruments are used to check differential pressures of liquids which do not have high viscosity and do not crystallize.

2.13.1 - Standard Model

Accuracy class: 2,5 as per EN 837.

Scale amplitude: 180°.

Static Pressure: max 1500 psi (100 bar).

Ambient temperature: -13...+149°F (-25...+65 °C).

Process fluid temperature: +302°F (+150 °C).

Thermal drift: ± 0,8 % every ±50°F (± 10° C) of ambient temperature

Protection degree: IP 55 as per EN 60529/IEC 529.

Socket material: AISI 316L st.st.

Elastic element: Duratherm diaphragm.

Gasket: VITON and PTFE.

Case: AISI 304 st.st.

Ring: AISI 304 st.st., bayonet lock

Window: tempered glass.

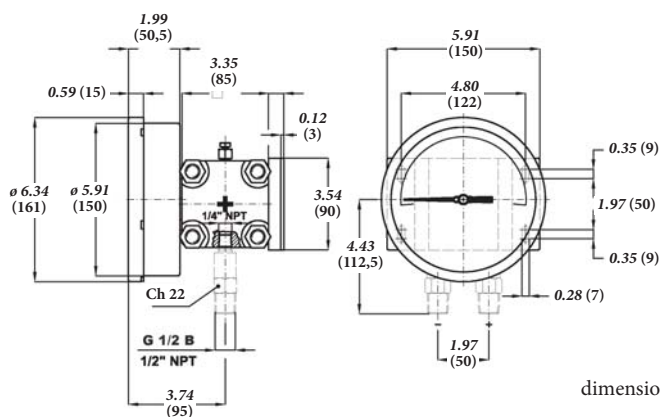
Movement: stainless steel.

Dial: aluminium, white with black markings

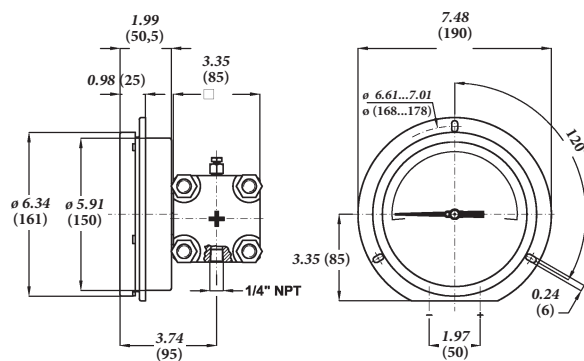
Pointer: adjustable, aluminium, black.

Weight: 12.12 lbs (5,5 kg).

RANGE	mbar	mmH ₂ O	bar	kPa
0...0,6			◆	
0... 1			◆	
0...1,6			◆	
0...2,5			◆	
0...4			◆	
0...6			◆	
0...10			◆	
0...16			◆	
0...25			◆	
0...40				◆
0...60				◆
0...100				◆
0...160				◆
0...250				◆
0...400	◆			◆
0...600	◆			◆
0...1000	◆			◆
0...1600	◆			
0...2500	◆			
0...4000		◆		
0...6000		◆		
0...10000		◆		



dimensions : inches (mm)



Lower (Mounting code **A**) , with back flange (Option code **C**)

Lower (Mounting code **A**) , with front flange (Option code **E**)

OPTIONS

C - Back flange	R10 - Glycerine filled case. Ambient temp. +32...+149 °F (0...+65 °C). (2)
E - Front flange (1) (2)	R11 - Silicon oil filled case. Ambient temp. -40...+149°F (-40...+65 °C).
C40 - Case and ring AISI 316L st.st.	S31 - 2" pipe mounting bracket
E65 - Protection degree IP65 (2)	T01 - Tropicalization (2)
L22 - Maximum pointer IP65 on Plexiglas window (2)	T32 - Safety glass window (3)
2G9 - Execution: ATEX : II 2G c (2)	
2D9 - Execution: ATEX : II 2GD c	

(1) For constructive details see ATEX execution catalogue sheet
(3) Not available with electric contacts

(2) Codes, description and wiring on data-sheet MN14

“HOW TO ORDER” SEQUENCE

Section / Model / Case / Mounting / Diameter / Special version /Range / Process connection / Options
2 13 1 A G --- 41M - G 1/2 A M C, E
43M - 1/2" NPT M E65...T32
23F - 1/4" NPT F

