

# ProcessMaster FEP630, HygienicMaster FEH630

## Electromagnetic flowmeter



Devices-Firmware version: 01.07.00

Measurement made easy

—  
FEP630  
FEH630  
FET630

### Introduction

Intelligent design and extended functions for efficient system operation at reduced costs and with higher profitability.

#### ProcessMaster FEP630

The first choice for demanding applications in the processing industry.

#### HygienicMaster FEH630

The first choice for demanding applications in the food industry.

### Additional Information

Additional documentation on FEP630, FEH630 is available for download free of charge at [www.abb.com/flow](http://www.abb.com/flow).

Alternatively simply scan this code:



## Table of contents

<b>1</b>	<b>Safety</b> .....	<b>4</b>	<b>6</b>	<b>Electrical connections</b> .....	<b>29</b>
	General information and instructions.....	4		Safety instructions .....	29
	Warnings.....	4		Use in Potentially Explosive Atmospheres .....	29
	Intended use .....	5		Sensor grounding .....	29
	Improper use.....	5		General information on grounding.....	29
	Use in Potentially Explosive Atmospheres .....	5		Metal pipe with fixed flanges .....	30
	Notes on data safety .....	5		Metal pipe with loose flanges.....	30
	Warranty provisions.....	6		Plastic pipes, non-metallic pipes or pipes with insulating liner .....	30
	Manufacturer's address .....	6		Sensor type HygienicMaster .....	31
<b>2</b>	<b>Design and function</b> .....	<b>7</b>		Grounding with conductive PTFE grounding plate .....	31
	Overview .....	7		Devices with extended diagnostic functions .....	31
	ProcessMaster .....	7		Installation and grounding in piping with cathodic corrosion protection .....	31
	HygienicMaster .....	8		Power supply .....	33
	Transmitter .....	9		Cable entries.....	34
	Model variants .....	10		Connection via cable conduit .....	34
	Measuring principle .....	11		Installing the connection cables .....	34
<b>3</b>	<b>Product identification</b> .....	<b>12</b>		Connection with IP rating IP 68.....	35
	Name plate .....	12		Pin assignment.....	37
	Additional warning plate .....	12		Electrical data for inputs and outputs .....	38
<b>4</b>	<b>Transport and storage</b> .....	<b>13</b>		Connection examples.....	42
	Inspection.....	13		Connection to integral mount design.....	44
	Transport.....	13		Connection to remote mount design .....	46
	Storing the device .....	14		Digital communication .....	49
	Temperature data .....	14		HART® communication .....	49
	Returning devices.....	14		Modbus® communication .....	49
<b>5</b>	<b>Installation</b> .....	<b>15</b>		Cable specification .....	50
	Safety instructions.....	15		PROFIBUS DP® communication.....	50
	Use in Potentially Explosive Atmospheres .....	15	<b>7</b>	<b>Commissioning</b> .....	<b>52</b>
	Installation conditions .....	15		Safety instructions .....	52
	General .....	15		Use in Potentially Explosive Atmospheres .....	52
	Devices with extended diagnostic functions.....	15		Hardware settings.....	52
	Brackets .....	16		Dual- compartment housing.....	52
	Gaskets.....	16		Single-compartment housing.....	53
	Devices with a wafer-type design .....	16		Configuration of digital outputs V1 / V2 or V3 / V4 ...	53
	Flow direction .....	16		Checks prior to commissioning.....	54
	Electrode axis.....	17		Parameterization of the device.....	54
	Mounting position.....	17		Parameterization via the local operating interface....	54
	Minimum spacing of the devices.....	17		Parameterization via the infrared service port adapter .....	55
	Grounding.....	18		Parameterization via HART® .....	55
	Sensor insulation.....	18		Factory settings.....	56
	Inlet and outlet sections .....	18		Switching on the power supply.....	56
	Free inlet or outlet.....	19		Parameterization via the menu function Easy Setup.....	56
	Mounting with heavily contaminated measuring media .....	19		Measuring range table.....	60
	Mounting with pipe vibration .....	19			
	Installation in piping with larger nominal diameter ...	20			
	Installation in 3A compliant installations .....	20			
	Installing the sensor .....	21			
	Installing the transmitter in the remote mount design ..	22			
	Opening and closing the housing .....	23			
	Adjusting the transmitter position.....	24			
	Installing the plug-in cards.....	26			

<b>8 Operation</b> .....	<b>61</b>	<b>11 Repair</b> .....	<b>123</b>
Safety instructions.....	61	Safety instructions .....	123
Menu navigation.....	61	Spare parts .....	124
Menu levels .....	62	Replacing the fuse .....	124
Process display .....	63	Replacing the LCD indicator .....	125
Switching to the information level.....	63	Replacing the frontend board .....	126
Error messages on the LCD display .....	64	Integral mount design .....	126
Switching to the configuration level		Remote mount design .....	128
(parameterization).....	64	Replacing the sensor.....	129
Selecting and changing parameter.....	66	Returning devices .....	129
Entry from table.....	66	<b>12 Recycling and disposal</b> .....	<b>130</b>
Parameter overview .....	68	Dismounting.....	130
Parameter descriptions .....	78	Disposal.....	130
Available units .....	78	<b>13 Specification</b> .....	<b>131</b>
Menu: Easy Setup .....	79	Permitted pipe vibration .....	131
Menu: Device Info .....	80	ProcessMaster – Temperature data .....	131
Menu: Device Setup.....	82	Maximum permissible cleaning temperature.....	131
Menu: Display .....	87	Maximum ambient temperature depending on	
Menu: Input/Output .....	88	measuring medium temperature.....	132
Menu: Process Alarm .....	94	ProcessMaster – Material load for process	
Menu: Communication .....	95	connections .....	136
Menu: Diagnostics.....	97	Minimum permissible operating pressure.....	136
Menu: Totalizer .....	104	Material load.....	137
Menu: Sensor Setup .....	107	HygienicMaster - Temperature data .....	140
Software history.....	107	Maximum permissible cleaning temperature.....	140
Filling function.....	108	Maximum ambient temperature depending on	
Setup .....	108	measuring medium temperature.....	140
Brief overview of configurations.....	108	HygienicMaster – Material load for process	
<b>9 Diagnosis / error messages</b> .....	<b>109</b>	connections .....	141
Calling up the error description .....	109	<b>14 Additional documents</b> .....	<b>142</b>
Error messages.....	110	<b>15 Appendix</b> .....	<b>143</b>
Overview .....	114	Return form.....	143
Extended diagnostic functions .....	118	Torque information.....	144
Overview .....	118	Tightening torques for transducers with	
Detection of partial filling.....	118	design level ‘A’ .....	144
Detection of gas bubbles.....	119	Tightening torques for transducers with	
Monitoring the conductivity.....	119	design level ‘B’ .....	149
Monitoring the electrode impedance.....	120	Tightening torques for HygienicMaster with	
Measurements on the flowmeter .....	120	variable process connections .....	151
Monitoring the grounding .....	121	Parameterization overview (factory settings) .....	151
Verification.....	121		
Fingerprint database.....	121		
<b>10 Maintenance</b> .....	<b>122</b>		
Safety instructions.....	122		
Sensor .....	123		
Gaskets.....	123		
Cleaning .....	123		

# 1 Safety

## General information and instructions

These instructions are an important part of the product and must be retained for future reference.

Installation, commissioning, and maintenance of the product may only be performed by trained specialist personnel who have been authorized by the plant operator accordingly. The specialist personnel must have read and understood the manual and must comply with its instructions.

For additional information or if specific problems occur that are not discussed in these instructions, contact the manufacturer.

The content of these instructions is neither part of nor an amendment to any previous or existing agreement, promise or legal relationship.

Modifications and repairs to the product may only be performed if expressly permitted by these instructions.

Information and symbols on the product must be observed.

These may not be removed and must be fully legible at all times.

The operating company must strictly observe the applicable national regulations relating to the installation, function testing, repair and maintenance of electrical products.

## Warnings

The warnings in these instructions are structured as follows:

### **DANGER**

The signal word '**DANGER**' indicates an imminent danger. Failure to observe this information will result in death or severe injury.

### **WARNING**

The signal word '**WARNING**' indicates an imminent danger. Failure to observe this information may result in death or severe injury.

### **CAUTION**

The signal word '**CAUTION**' indicates an imminent danger. Failure to observe this information may result in minor or moderate injury.

### **NOTICE**

The signal word '**NOTICE**' indicates possible material damage.

### **Note**

'**Note**' indicates useful or important information about the product.

## Intended use

This device is intended for the following uses:

- For the transmission of fluid, pulpy or pasty measuring media with electrical conductivity.
- For volume flow measurement (in operating conditions).
- For mass flow measurement (based on a non-adjustable density value).

The device has been designed for use exclusively within the technical limit values indicated on the identification plate and in the data sheets.

When using measuring media, the following points must be observed:

- Wetted parts such as measuring electrodes, liner, grounding electrodes, grounding plates or protection plates must not be damaged by the chemical and physical properties of the measuring medium during the operating time.
- Measuring media with unknown properties or abrasive measuring media may only be used if the operator is able to perform regular and suitable tests to ensure the safe condition of the device
- The indications on the name plate must be observed
- Before use of corrosive or abrasive measuring media, the operator must clarify the level of resistance of wetted parts.  
ABB will gladly support you in the selection, but cannot accept any liability in doing so.

## Improper use

The following are considered to be instances of improper use of the device:

- Operation as a flexible compensating adapter in piping, for example for compensating pipe offsets, pipe vibrations, pipe expansions, etc.
- For use as a climbing aid, for example for mounting purposes.
- For use as a bracket for external loads, for example as a support for piping, etc.
- Material application, for example by painting over the housing, name plate or welding/soldering on parts.
- Material removal, for example by spot drilling the housing.

## Use in Potentially Explosive Atmospheres

### Note

- An additional document with Ex safety instructions is available for measuring systems that are used in potentially explosive atmospheres.
- Ex safety instructions are an integral part of this manual. As a result, it is crucial that the installation guidelines and connection values it lists are also observed.  
The icon on the name plate indicates the following:



## Notes on data safety

This product is designed to be connected to and to communicate information and data via a network interface. It is operator's sole responsibility to provide and continuously ensure a secure connection between the product and your network or any other network (as the case may be). Operator shall establish and maintain any appropriate measures (such as but not limited to the installation of firewalls, application of authentication measures, encryption of data, installation of anti-virus programs, etc.) to protect the product, the network, its system and the interface against any kind of security breaches, unauthorized access, interference, intrusion, leakage and / or theft of data or information. ABB Automation Products GmbH and its affiliates are not liable for damages and / or losses related to such security breaches, any unauthorized access, interference, intrusion, leakage and / or theft of data or information.

## ... 1 Safety

### Warranty provisions

Using the device in a manner that does not fall within the scope of its intended use, disregarding this manual, using underqualified personnel, or making unauthorized alterations releases the manufacturer from liability for any resulting damage. This renders the manufacturer's warranty null and void.

### Manufacturer's address

#### **ABB Automation Products GmbH Measurement & Analytics**

Dransfelder Str. 2  
37079 Goettingen  
Germany  
Tel: +49 551 905-0  
Fax: +49 551 905-777  
Email: [vertrieb.messtechnik-produkte@de.abb.com](mailto:vertrieb.messtechnik-produkte@de.abb.com)

#### **ABB Automation Products GmbH Measurement & Analytics**

Dransfelder Str. 2  
37079 Goettingen  
Germany  
Tel: +49 551 905-0  
Fax: +49 551 905-777  
Email: [vertrieb.messtechnik-produkte@de.abb.com](mailto:vertrieb.messtechnik-produkte@de.abb.com)

#### **ABB Inc. Measurement & Analytics**

125 E. County Line Road  
Warminster, PA 18974  
USA  
Tel: +1 215 674 6000  
Fax: +1 215 674 7183

#### **ABB Engineering (Shanghai) Ltd. Measurement & Analytics**

No. 4528, Kangxin Highway, Pudong New District  
Shanghai, 201319,  
P.R. China  
Tel: +86(0) 21 6105 6666  
Fax: +86(0) 21 6105 6677  
Email: [china.instrumentation@cn.abb.com](mailto:china.instrumentation@cn.abb.com)

#### **Customer service center**

Tel: +49 180 5 222 580  
Email: [automation.service@de.abb.com](mailto:automation.service@de.abb.com)

## 2 Design and function

### Overview

#### ProcessMaster

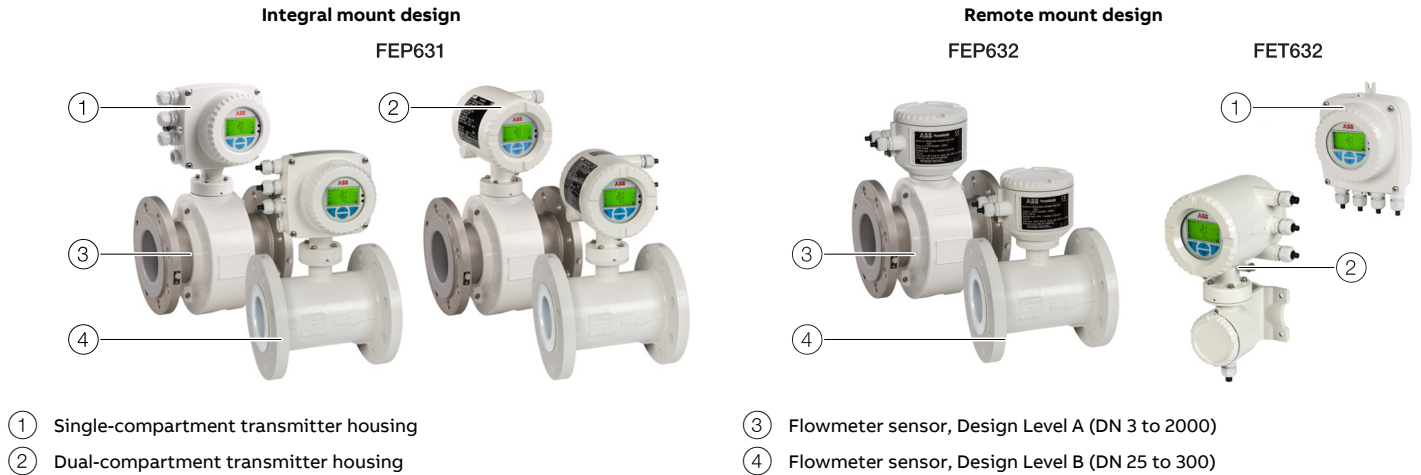


Figure 1: Designs

Flowmeter sensor	
<b>Model</b>	ProcessMaster FEP631, FEP632, FET632
<b>Housing</b>	Integral mount design, remote mount design
<b>Measuring accuracy for liquids</b>	0.4 % of the measured value, option for 0.3 % and 0.2 % of the measured value
<b>Permissible measuring medium temperature</b>	Standard: -25 to 130 °C (-13 to 266 °F)
<b>T<sub>medium</sub></b>	Option: -25 to 180 °C (-13 to 356 °F)
<b>Minimum conductivity</b>	> 5 μS/cm, (20 μS/cm for demineralized water)
<b>Nominal pressure rating</b>	PN 10 to 40; ASME CL 150, 300; JIS 5K, 10K, 20K
<b>Nominal diameter</b>	DN 3 to 2000 (1/16 to 80 in)
<b>Process connection</b>	Flange in accordance with DIN, ASME, JIS, AS2129 table D, E
<b>Materials process connection</b>	Steel, cast iron, stainless steel
<b>Lining material</b>	Hard rubber (DN 25 to 2000), soft rubber (DN 50 to 2000), PTFE (DN 10 to 600), PFA (DN 3 to 200), ETFE (DN 25 to 600), Ceramic Carbide (DN 25 to 1000), Linatex® (DN 50 to 600)
<b>Electrode material</b>	Stainless steel, Hastelloy B®, Hastelloy C®, platinum-iridium, tantalum, titanium, Double Layer, tungsten carbide
<b>IP rating</b>	Integral mount design: IP 65 / IP 67, NEMA 4X Remote mount design: IP 65 / IP 67 / IP 68 (sensor only), NEMA 4X
Approvals	
Pressure Equipment Directive 2014/68/EU	Conformity assessment in accordance with category III, fluid group 1
CRN (Canadian regulatory number)	On request
Explosion protection (in preparation)	ATEX / IECEx Zone 1, 2, 21, 22 FM / cFM Cl 1 Div 1 (≤ DN 300), Cl 1 Div 2
Additional approvals	At <a href="http://www.abb.com/flow">www.abb.com/flow</a> or on request.

## ... 2 Design and function

### ... Overview

#### HygienicMaster

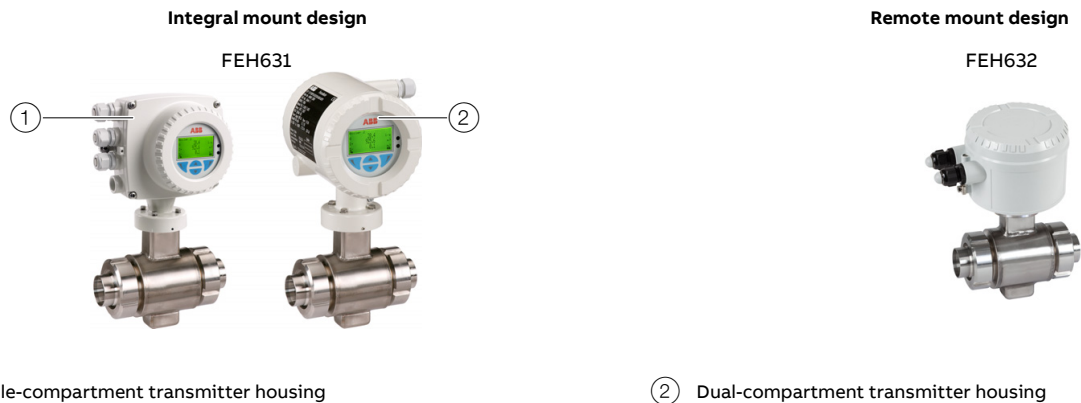


Figure 2: Designs (example, devices with variable process connections)

#### Flowmeter sensor

<b>Model</b>	HygienicMaster FEH631, FEH632, FET632	
<b>Housing</b>	Integral mount design, remote mount design	
<b>Measuring accuracy for liquids</b>	0.4 % of the measured value, option for 0.3 % and 0.2 % of the measured value	
<b>Permissible measuring medium temperature <math>T_{\text{medium}}</math></b>	Standard: -25 to 130 °C (-13 to 266 °F), DN 1 to 2 limited to a maximum of 120 °C (248 °F) Option: -25 to 180 °C (-13 to 356 °F), flange devices only	
<b>Minimum conductivity</b>	> 5 $\mu\text{S}/\text{cm}$ , (> 20 $\mu\text{S}/\text{cm}$ for demineralized water) > 20 $\mu\text{S}/\text{cm}$ for nominal diameter DN 1 to 2 ( $\frac{1}{25}$ to $\frac{1}{2}$ in)	
<b>Nominal pressure</b>	PN 10 to 40, ASME CL 150, 300, JIS 10K	
<b>Nominal diameter</b>	DN 1 to 100 ( $\frac{1}{25}$ to 4 in)	
<b>Process connection</b>	Wafer type design:	DN 3 to 100 ( $\frac{1}{10}$ to 4 in)
	Flange in accordance with DIN, ASME or JIS	DN 3 to 100 ( $\frac{1}{10}$ to 4 in), PN 10 to 40
	Screwed connections for the food industry in accordance with DIN 11851:	DN 3 to 100 ( $\frac{1}{10}$ to 4 in), PN 10 to 40
	Welded spuds:	DN 3 to 100 ( $\frac{1}{10}$ to 4 in), PN 10 to 40
	Tri-clamp in accordance with DIN 32676	DN 3 to 100 ( $\frac{1}{10}$ to 4 in), PN 10 to 16
	Tri-clamp in accordance with ASME BPE:	DN 3 to 100 ( $\frac{1}{10}$ to 4 in), PN 10
	External thread in acc. with ISO 228 / DIN 2999	DN 3 to 25 ( $\frac{1}{10}$ to 1 in), PN 16
<b>Materials process connection</b>	Flange design: stainless steel, variable process connections: 1.4404; devices with nominal diameter DN 1 to 2 ( $\frac{1}{25}$ to $\frac{1}{2}$ in): stainless steel 1.4571 (AISI 316 Ti), PVC, POM	
<b>Lining material</b>	PFA [vacuum-tight, from DN 3 ( $\frac{1}{10}$ in)], PEEK [DN 1 to 2 ( $\frac{1}{25}$ to $\frac{1}{2}$ in)]	
<b>Electrode material</b>	Stainless steel 1.4571 (AISI 316Ti), 1.4539 [904L], Hastelloy B®, Hastelloy C®, platinum-iridium, tantalum, titanium	
<b>IP rating</b>	Integral mount design: IP 65 / IP 67, NEMA 4X Remote mount design: IP 65 / IP 67 / IP 68 (sensor only), NEMA 4X	

#### Approvals

Pressure Equipment Directive 2014/68/EU	Conformity assessment in accordance with category III, fluid group 1
CRN (Canadian regulatory number)	On request
Hygiene design approvals	3A, FDA-approved materials
Explosion protection (in preparation)	ATEX / IECEx Zone 1, 2, 21, 22; FM / cFM Cl 1 Div. 1, Cl 1 Div. 2
Additional approvals	At <a href="http://www.abb.com/flow">www.abb.com/flow</a> or on request.



## Transmitter



① Dual-compartment transmitter housing

② Single-compartment transmitter housing

Figure 3: Designs

Transmitter	
<b>Model</b>	FET632
<b>Housing</b>	Integral mount design, remote mount design
<b>IP rating</b>	IP 65 / IP 67 / NEMA 4X
<b>Cable length</b>	Maximum 200 m (656 ft), remote mount design only
<b>Power supply</b>	100 to 240 V AC (-15 / +10 %) 50 / 60 Hz, 16.8 to 30 V DC
<b>Outputs</b>	Current output: 4 to 20 mA active or passive (can be configured on-site) Digital output 1: passive, configurable as pulse, frequency or switch output Digital output 2: passive, configurable as pulse or switch output
<b>Additional outputs</b>	The transmitter has two slots which can be used to insert plug-in cards to extend the outputs. The following plug-in cards are available: <ul style="list-style-type: none"> <li>• Current output (passive)</li> <li>• Digital output (passive)</li> <li>• Digital input (passive):</li> <li>• 24 V DC power supply for active outputs</li> </ul>
<b>Communication</b>	Standard: HART® 7.1 Option: PROFIBUS DP® / Modbus®
Approvals	
<b>Explosion protection (in preparation)</b>	ATEX / IECEx Zone 1, 2, 21, 22 FM / cFM Cl 1 Div 1, Cl 1 Div 2
<b>Additional approvals</b>	At <a href="http://www.abb.com/flow">www.abb.com/flow</a> or on request.

## ... 2 Design and function

### Model variants

ProcessMaster / HygienicMaster is available in two product series.

- FEP610 / FEH610 with base functionality
- FEP630 / FEH630 with extended functions and options

Characteristics / Functions	ProcessMaster		HygienicMaster	
	FEP610	FEP630	FEH610	FEH630
<b>Measuring accuracy</b>	–	✓	–	✓
0.4 % (option 0.2 %) of measured value				
0.5 % of measured value	✓	–	✓	–
<b>Explosion protection</b>	–	✓	–	✓
Option with approval for potentially explosive atmosphere				
<b>Optional diagnosis functions</b>	–	✓	–	✓
Detecting gas bubbles, conductivity monitoring, temperature monitoring				
<b>Grounding check</b>	✓	✓	✓	✓
With noise check functions				
<b>Detection of partially filled pipe</b>	–	✓	–	–
With partial fill electrode				
<b>Liner and electrode material optional</b>	–	✓	–	–
Ceramic carbide liner, tungsten carbide electrodes, double-layer electrodes				
<b>Batch functions</b>	–	✓	–	✓
Presetting counter, overrun correction, external start/stop, batch end contact				
<b>Optional nominal diameter</b>	–	–	–	✓
DN 1 to DN 2				
<b>Fieldbus</b>	–	✓	–	✓
PROFIBUS DP®, Modbus®				
<b>Verification</b>	✓	✓	✓	✓
Optional				

### Integral mount design

For devices with an integral mount design, the transmitter and flowmeter sensor form a single mechanical unit.

### Remote mount design

For devices with a remote mount design, the transmitter and flowmeter sensor are mounted in separate locations.

The electrical connection between the transmitter and the flowmeter sensor is provided by a signal cable.

A maximum signal cable length of 200 m (656 ft) is possible.

### Notes on the ProcessMaster

The flowmeter sensor of the ProcessMaster is available in two designs, which are distinguished by the design level (A / B).

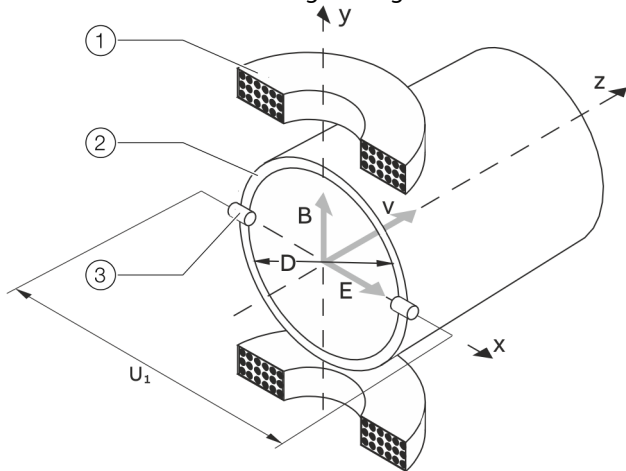
### Notes on the transmitter housing

The transmitter is available in two housing designs:

- **Single-compartment housing:**  
In the single-compartment housing, the electronics chamber and the connection chamber in the transmitter are not separated from each other.
- **Dual-compartment housing:**  
In the dual-compartment housing, the electronics chamber and the connection chamber in the transmitter are separated from each other.

## Measuring principle

Measurements performed by the electromagnetic flowmeter are based on Faraday's law of induction. A voltage is generated in a conductor when it moves through a magnetic field.



- ① Magnet coil                                      ③ Measuring electrode  
 ② Measuring tube in electrode plane

Figure 4: Electromagnetic flowmeter diagram

$U_1 \sim B \times D \times v$	$qv = \frac{D^2 \times \pi}{4} \times v$	$U_1 \sim qv$
$U_1$ Measuring span	$v$ Average flow velocity	
$B$ Magnetic induction	$qv$ Volume flow rate	
$D$ Electrode spacing		

With the device-relevant application of this measuring principle, a conductive measuring medium flows through a tube in which a magnetic field is generated perpendicular to the flow direction (see Figure 4).

The voltage induced in the measuring medium is tapped by two diametrically opposed electrodes. This measurement voltage is proportional to the magnetic induction, the electrode spacing and the average medium velocity  $v$ .

Taking into account that the magnetic induction and the electrode spacing are constant values results in a proportion between the measurement voltage  $U_1$  and the average medium velocity.

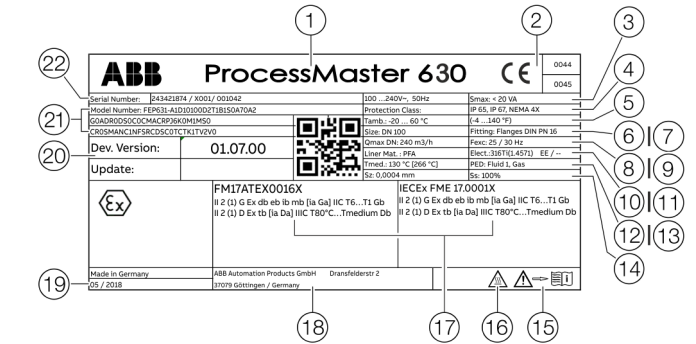
From the calculation of the volume flow rate follows that the measurement voltage is linear and proportional to the volume flow rate

The induced voltage is converted by the transmitter to standardized, analog and digital signals.

### 3 Product identification

#### Name plate

**Note**  
The name plates displayed are examples. The device identification plates affixed to the device can differ from this representation.



- ① Type designation
- ② CE mark
- ③ Power supply
- ④ IP rating in accordance with EN 60529
- ⑤  $T_{amb}$  = maximum permissible ambient temperature
- ⑥ Nominal diameter
- ⑦ Process connection / pressure rating
- ⑧ Calibration value  $Q_{max, DN}$
- ⑨ Excitation frequency
- ⑩ Liner material
- ⑪ Electrode material / Supplementary information: EE = grounding electrodes, TFE = partial filling electrode
- ⑫  $T_{med}$  = maximum permissible measuring medium temperature
- ⑬ Label indicating whether the pressure equipment is subject to the Pressure Equipment Directive.
- ⑭ Calibration value  $S_z$  (zero point),  $S_s$  (range)
- ⑮ 'Follow operating instruction' symbol
- ⑯ 'Caution hot surface' symbol
- ⑰ Ex marking in accordance with ATEX / IECEx (example)
- ⑱ Manufacturer address
- ⑲ Year of manufacture
- ⑳ Software version
- ㉑ Model number (for more detailed information about the technical design, refer to the data sheet or the order confirmation)
- ㉒ Order number / Serial number for identification by the manufacturer

Figure 5: Name plate (example)

**Note**  
Devices with 3A approval SIL are labeled with an additional plate.

#### Marking in accordance with Pressure Equipment Directive 2014/68/EU

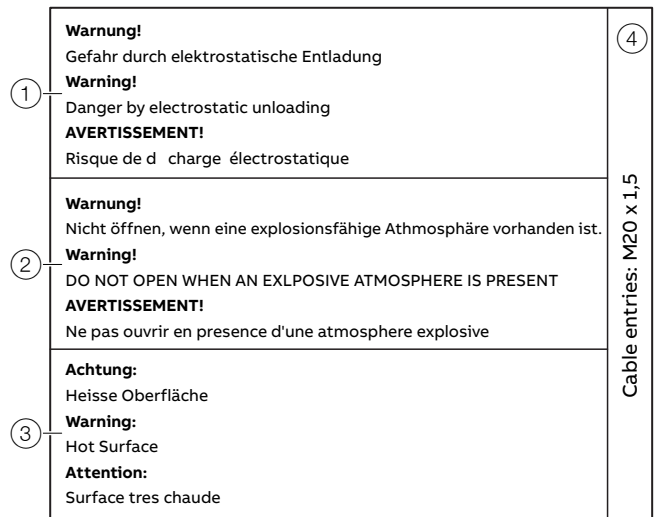
Information on the relevant fluid group (Figure 5, Position ⑬):

- PED: Fluid 1, Gas  
Fluid group 1 = hazardous fluids, liquid, gaseous. (PED = PressureEquipmentDirective).
- SEP  
If the pressure equipment is not in the scope of the Pressure Equipment Directive, it is classified in accordance with SEP = Sound Engineering Practice ('sound engineering practice') in accordance with Art. 4 para. 3 of the Pressure Equipment Directive.

If there is no such information at all, there is no compliance with the requirements of the Pressure Equipment Directive. Water supplies and connected equipment accessories are classed as an exception in accordance with guideline 1/16 of Art. 1 Para. 3.2 of the Pressure Equipment Directive.

#### Additional warning plate

Devices which are approved for use in potentially explosive atmospheres have an additional warning plate.



- ① WARNING - Danger due to electrostatic discharge.
- ② WARNING - Do not open if an explosive atmosphere is present.
- ③ WARNING - Hot surface.
- ④ Thread for cable glands

Figure 6: Additional warning plate

## 4 Transport and storage

### Inspection

Check the devices immediately after unpacking for possible damage that may have occurred from improper transport. Details of any damage that has occurred in transit must be recorded on the transport documents. All claims for damages must be submitted to the shipper without delay and before installation.

### Transport

#### **⚠ DANGER**

##### **Life-threatening danger due to suspended loads.**

In the case of suspended loads, a danger of the load falling exists.

- Standing under suspended loads is prohibited.

#### **⚠ WARNING**

##### **Risk of injury due to device slipping.**

The device's center of gravity may be higher than the harness suspension points.

- Make sure that the device does not slip or turn during transport.
- Support the device laterally during transport.

#### **NOTICE**

##### **Potential damage to the device!**

The protection plates or protection caps mounted at the process connections on devices with PTFE / PFA liners may only be removed immediately before installation.

- To prevent possible leakage, make sure that the liner on the flange is not cut or damaged.

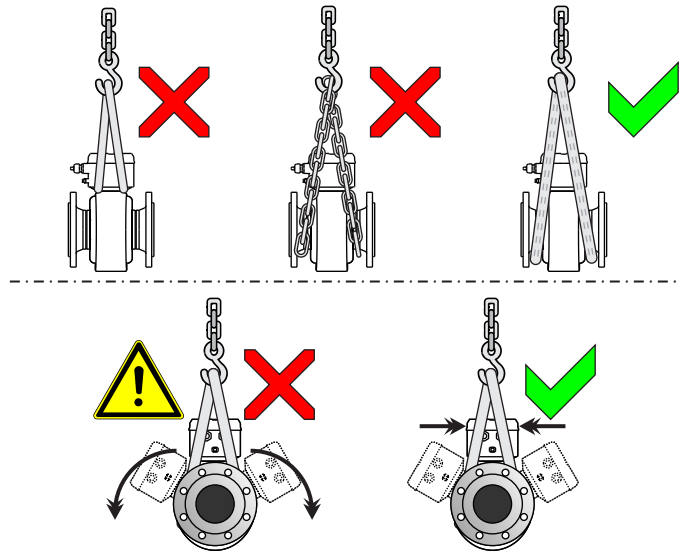


Figure 7: Transport instructions - ≤ DN 450

#### **Flange devices ≤ DN 450**

- Use carrying straps to transport flange designs smaller than DN 450.
- Wrap the carrying straps around both process connections when lifting the device.
- Chains should not be used, since these may damage the housing.

#### **Flange devices > DN 450**

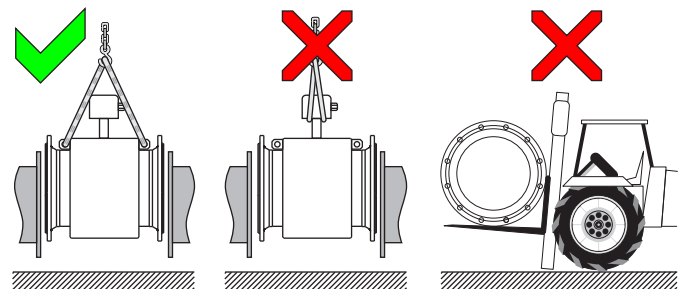


Figure 8: Transport instructions - > DN 450

- Using a forklift to transport flange device can dent the housing.
- Flange devices must not be lifted by the center of the housing when using a forklift for transport.
- Flange devices must not be lifted by the terminal box or by the center of the housing.
- Only the transport lugs fitted to the device can be used to lift the device and insert it into the piping.

## ... 4 Transport and storage

### Storing the device

Bear the following points in mind when storing devices:

- Store the device in its original packaging in a dry and dust-free location.
- Observe the permitted ambient conditions for transport and storage.
- Avoid storing the device in direct sunlight.
- In principle, the devices may be stored for an unlimited period. However, the warranty conditions stipulated in the order confirmation of the supplier apply.

### Temperature data

#### Storage temperature range

–40 to 70 °C (–40 to 158 °F)

The ambient conditions for the transport and storage of the device correspond to the ambient conditions for operation of the device.

Adhere to the device data sheet!

### Returning devices

For the return of devices, follow the instructions in **Repair** on page 123.

## 5 Installation

### Safety instructions

#### **⚠ WARNING**

##### **Risk of injury due to process conditions.**

The process conditions, for example high pressures and temperatures, toxic and aggressive measuring media, can give rise to hazards when working on the device.

- Before working on the device, make sure that the process conditions do not pose any hazards.
- If necessary, wear suited personal protective equipment when working on the device.
- Depressurize and empty the device / piping, allow to cool and purge if necessary.

#### **⚠ WARNING**

##### **Risk of injury due to live parts!**

When the housing is open, contact protection is not provided and EMC protection is limited.

- Before opening the housing, switch off the power supply.

### Use in Potentially Explosive Atmospheres

#### **⚠ DANGER**

##### **Danger of explosion if the device is operated with the transmitter housing or terminal box open!**

While using the device in potentially explosive atmospheres before opening the transmitter housing or the terminal box, note the following points:

- A valid fire permit must be present.
- Make sure that no flammable or hazardous atmospheres are present.

#### **Note**

- An additional document with Ex safety instructions is available for measuring systems that are used in potentially explosive atmospheres.
- Ex safety instructions are an integral part of this manual. As a result, it is crucial that the installation guidelines and connection values it lists are also observed.

The icon on the name plate indicates the following:



### Installation conditions

#### **General**

The following points must be observed during installation:

- The flow direction must correspond to the marking, if present
- The maximum torque for all flange screws must be complied with
- Secure flange screws and nuts against pipe vibration.
- The devices must be installed without mechanical tension (torsion, bending)
- Install flange devices / wafer-type devices with plane parallel counterflanges and use appropriate gaskets only
- Use gaskets made from a material that is compatible with the measuring medium and measuring medium temperature.
- Gaskets must not extend into the flow area, since possible turbulence could influence the accuracy of the device
- The piping may not exert any inadmissible forces or torques on the device.
- Make sure that the temperature limits are not up-scaled during operation of the device.
- Vacuum shocks in the piping should be avoided to prevent damage to the liners (PTFE liner). Vacuum shocks can destroy the device.
- Do not remove the sealing plugs in the cable glands until you are ready to install the electrical cable
- Make sure the gaskets for the housing cover are seated correctly. Carefully seal the cover. Tighten the cover fittings
- The transmitter with a remote mount design must be installed at a largely vibration-free location
- Do not expose the transmitter and sensor to direct sunlight. Provide appropriate sun protection as necessary. If necessary, provide a suited means of sun protection.
- When installing the transmitter in a control cabinet, make sure adequate cooling is provided

#### **Devices with extended diagnostic functions**

For devices with extended diagnostic functions different installation conditions may be valid.

For additional information, see **Extended diagnostic functions** on page 118.

## ... 5 Installation

### ... Installation conditions

#### Brackets

#### NOTICE

##### Potential damage to the device!

Improper support for the device may result in a deformed housing and damage to internal magnetic coils.

- Place the supports at the edge of the sensor housing (see arrows in **Figure 9**).

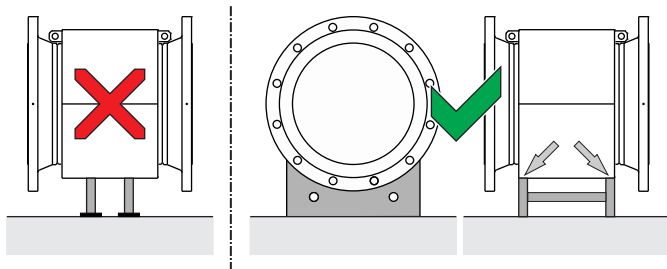


Figure 9: Support for nominal diameters larger than DN 400

Devices with nominal diameters larger than DN 400 must be mounted on a sufficiently strong foundation with support.

#### Gaskets

The following points must be observed when installing gaskets:

- To achieve the best results, make sure that the gaskets and meter tube fit concentrically.
- To make sure that the flow profile is not distorted, the gaskets may not intrude in the piping cross-section.
- The use of graphite with the flange or process connection gaskets is prohibited. This is because, in some instances, an electrically conductive coating may form on the inside of the meter tube.

#### Devices with hard rubber or soft rubber liner

- Devices with a hard / soft rubber liner always require additional gaskets
- ABB recommends using gaskets made from rubber or rubber-like sealing materials
- When selecting the gaskets, make sure that the tightening torques specified in chapter **Torque information** on page 144 are not up-scaled.

#### Devices with a PTFE, PFA or ETFE liner

- In principle, devices with a PTFE, PFA or ETFE liner do not require additional gaskets.

#### Devices with a wafer-type design

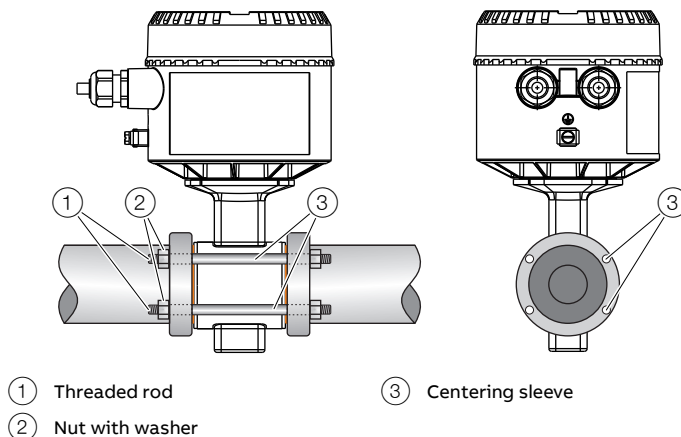


Figure 10: Assembly set for wafer type assembly (example)

For devices with a wafer-type design, ABB offers an installation set as an accessory that comprises threaded rods, nuts, washers and centering sleeves for installation.

#### Flow direction

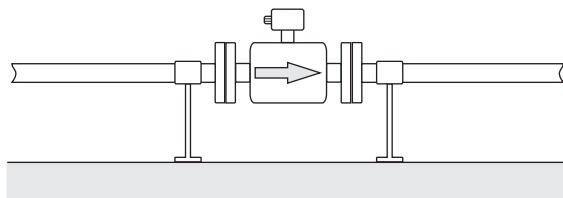
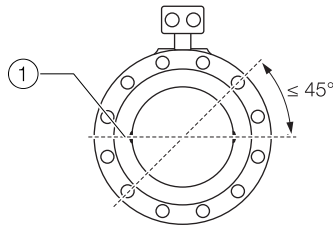


Figure 11: Flow direction

The device measures the flow rate in both flow directions. Forward flow is the factory setting, as shown in Figure 11.



**Electrode axis**



① Electrode axis

Figure 12: Orientation of the electrode axis

The flowmeter sensor should be mounted in the piping in such a manner that the electrode axis is oriented as horizontally as possible.

A maximum deviation of 45° from the horizontal position is permissible.

**Mounting position**

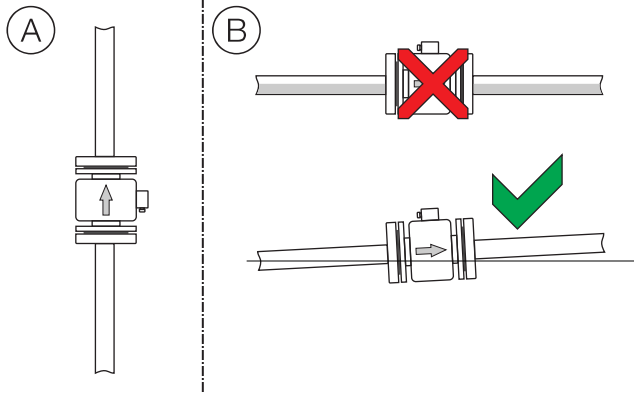


Figure 13: Mounting position

- Ⓐ Vertical installation for measuring abrasive materials, preferably with flow in upward direction.
- Ⓑ For a horizontal installation, the meter tube must always be completely filled with the measuring medium. Provide for a slight incline of the connection for degassing.

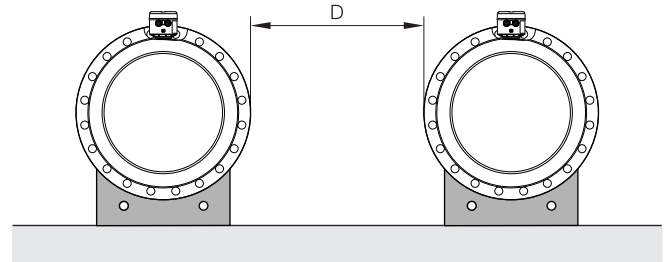
**Note**

For hygienic applications, the vertical mounting position is preferred.

For a horizontal mounting position, make sure that the sensor is installed to be self-draining.

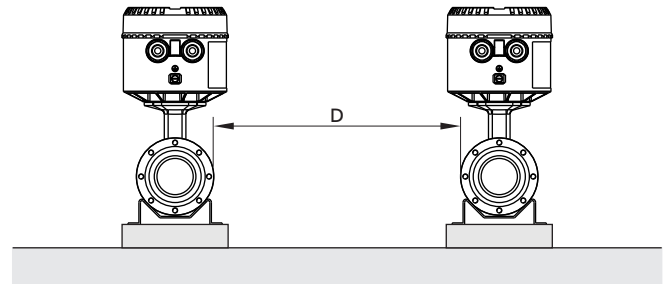
**Minimum spacing of the devices**

ProcessMaster FEPxxx



Spacing D: ≥ 1.0 m (3.3 ft) for Design Level 'A',  
 ≥ 0.7 m (2.3 ft) for Design Level 'B'

HygienicMaster FEHxxx



Spacing D: ≥ 1.0 m (≥ 3.3 ft)

Figure 14: Minimum spacing

- In order to prevent the devices from interfering with each other, a minimum distance as presented in **Minimum spacing of the devices** must be maintained between the devices.
- The sensor must not be operated in the vicinity of powerful electromagnetic fields, e.g., motors, pumps, transformers, etc. A minimum spacing of approx. 1 m (3.28 ft) must be maintained.
- For installation on or to steel parts (e.g. steel brackets), a minimum spacing of 100 mm (3.94 in) must be maintained. These values have been calculated on the basis of IEC 801-2 or IEC TC77B

## ... 5 Installation

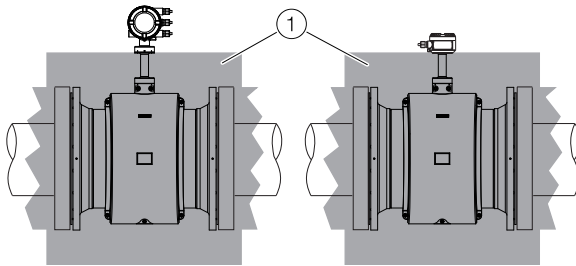
### ... Installation conditions

#### Grounding

The flowmeter sensor must be connected to ground potential. For technical reasons, this potential must be identical to the potential of the measuring medium.

In piping made of plastic or with insulating liner, grounding of the measuring medium is done by installing grounding plates. If stray potential is present in the piping, adding a grounding plate on both ends of the flowmeter sensor is recommended.

#### Sensor insulation

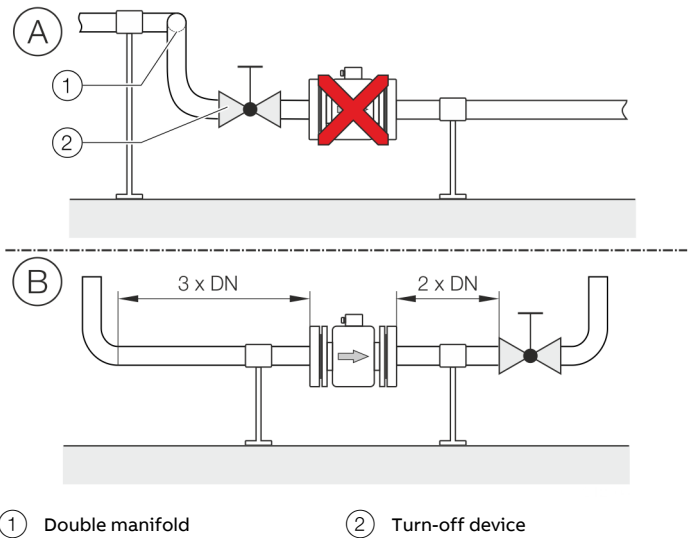


① Insulation

Figure 15: Insulation of the flowmeter sensor

In the high temperature design, the flowmeter sensor can be completely thermally insulated. After the unit is installed, the piping and sensor must be insulated in accordance with the figure.

#### Inlet and outlet sections



① Double manifold                      ② Turn-off device

Figure 16: Inlet and outlet section, turn-off devices

The measuring principle is independent of the flow profile as long as standing eddies do not extend into the measured value formation, such as may for example occur after double manifolds, in the event of tangential inflow, or where half-open gate valves are located upstream of the sensor. In such cases, measures must be put in place to normalize the flow profile.

Ⓐ Do not install fittings, manifolds, valves, etc., right before the flowmeter sensor.

Ⓑ Inlet / outlet sections: length of the straight piping upstream and downstream on the sensor.

Experience has shown that, in most installations, straight inlet sections  $3 \times DN$  long and straight outlet sections  $2 \times DN$  long are sufficient (DN = nominal diameter of the flowmeter sensor).

For test stands, the reference conditions of  $10 \times DN$  straight inlet and  $5 \times DN$  straight outlet must be provided, in accordance with EN 29104 / ISO 9104.

Valves or other turn-off devices should be installed in the outlet section.

Valve flaps must be installed so that the valve damper plate does not extend into the flowmeter sensor.

**Free inlet or outlet**

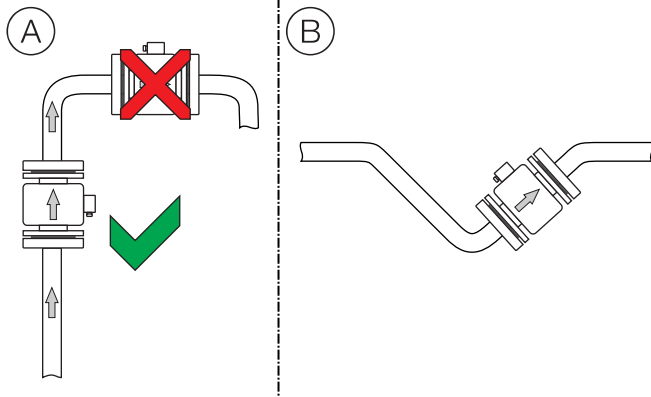


Figure 17: Free inflow and outflow

- Ⓐ For a free outflow, do not install flowmeter at the highest point of the piping or on its outflow side, since the measuring tube may run empty, creating air bubbles.
- Ⓑ For free inflow/outflow, provide an invert to make sure that the piping is always full

**Mounting with heavily contaminated measuring media**

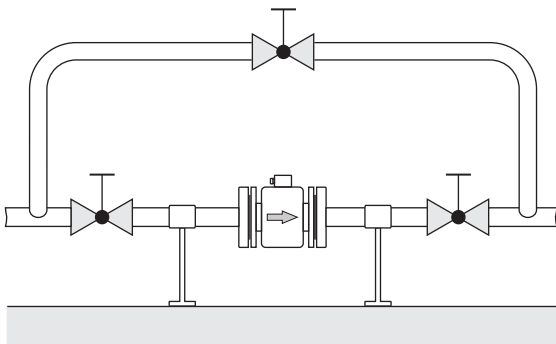
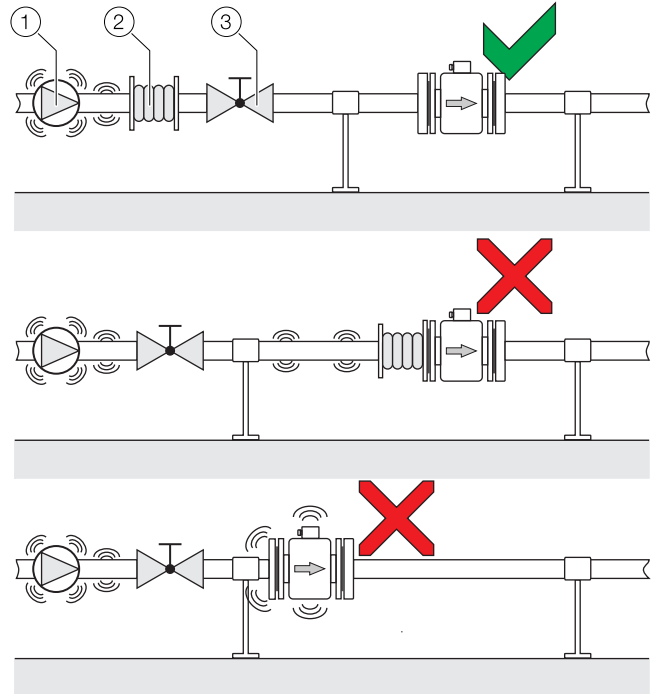


Figure 18: Bypass line

For strongly contaminated measuring media, a bypass line in accordance with the figure is recommended so that operation of the system can continue to run without interruption during mechanical cleaning.

**Mounting with pipe vibration**



- ① Pump
- ② Damping device
- ③ Turn-off device

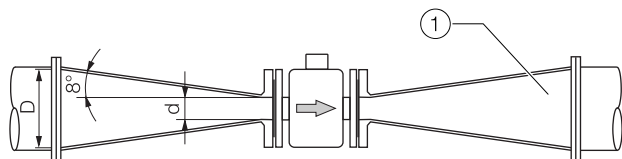
Figure 19: Vibration damping

If pipe vibration occurs, it needs to be damped using damping devices. The damping devices must be installed outside the support section and outside of the piping section between the turn-off devices. Avoid connecting damping devices directly to the flowmeter sensor.

## ... 5 Installation

### ... Installation conditions

#### Installation in piping with larger nominal diameter



① Reducer

Figure 20: Using reducers

Determine the resulting pressure loss when using reducers:

1. Determine diameter ratios  $d/D$ .
2. Determine the flow velocity based on the flow rate nomogram (Figure 21).
3. Read the pressure loss on the Y-axis in Figure 21.

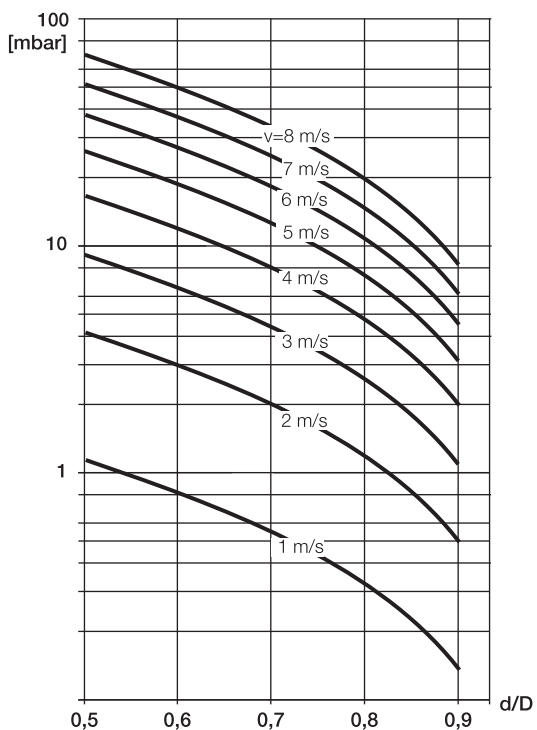
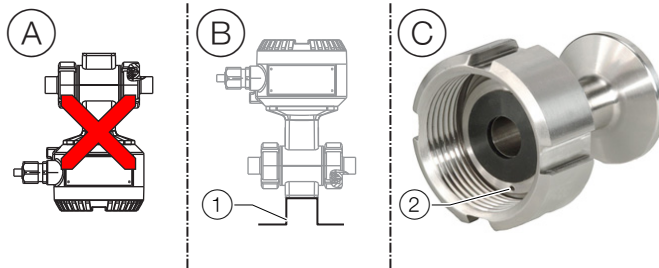


Figure 21: Flow rate nomogram for flange transition piece at  $\alpha/2 = 8^\circ$

#### Installation in 3A compliant installations



① Angel bracket

② Leakage hole

Figure 22: 3A compliant installation

Please observe the following points:

- Ⓐ Do not install the device vertically with the terminal box or transmitter housing pointing downward.
  - Ⓑ The 'angel bracket' option is not 3A compliant.
  - Ⓒ Please make sure that the leakage hole of the process connection is located at the lowest point of the installed device.
- A vertical mounting position is preferred. For a horizontal mounting position, make sure that the sensor is installed to be self-draining.
  - Make sure that the cover of terminal box and / or transmitter housing is properly sealed. There can be no gaps between the housing and the cover.

Only devices with the following process connections fulfill 3A compliance.

- Welded spuds
- Tri-clamp

## Installing the sensor

### NOTICE

#### Damage to the device

Damage to the device due to improper assembly.

- The use of graphite with the flange or process connection gaskets is prohibited. This is because, in some instances, an electrically conductive coating may form on the inside of the meter tube.
- Vacuum shocks in the piping should be avoided to prevent damage to the liners (PTFE liner). Vacuum shocks can destroy the device.

The flowmeter sensor can be installed at any location in the piping while taking the installation conditions into account.

1. Remove protective plates, if present, to the right and left of the meter tube. To prevent possible leakage, make sure that the liner on the flange is not cut or damaged.
2. Position the flowmeter sensor plane parallel and centered between the piping.
3. Install gaskets between the surfaces, see **Gaskets** on page 16.

#### Note

For achieve the best results, ensure the gaskets fit concentrically with the meter tube

To ensure that the flow profile is not distorted, the gaskets must not protrude into the piping.

4. Use the appropriate screws for the holes in accordance with **Torque information** on page 144.
5. Slightly grease the threaded nuts.
6. Tighten the nuts in a crosswise manner as shown in the figure. Observe the tightening torques in accordance with **Torque information** on page 144!  
First tighten the nuts to approx. 50 % of the maximum torque, then to 80 %, and finally a third time to the maximum torque. Do not exceed the max. torque.

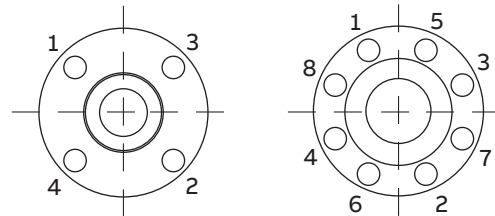


Figure 23: Tightening sequence for the flange screws

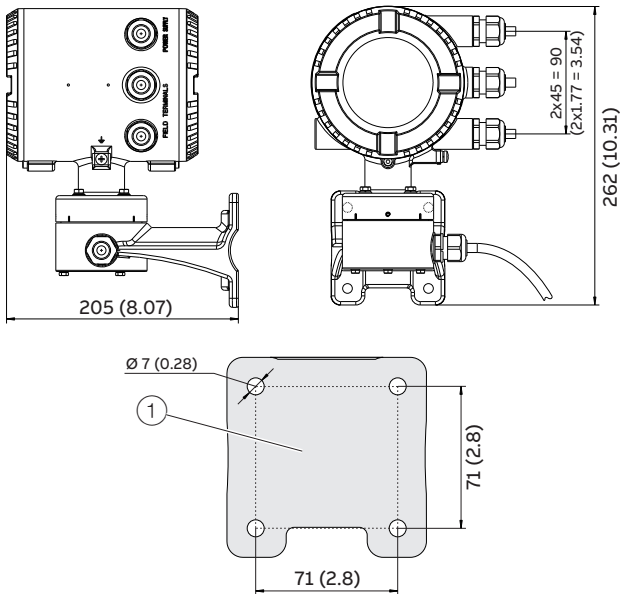
## ... 5 Installation

### Installing the transmitter in the remote mount design

When selecting a location for the transmitter, consider the following points:

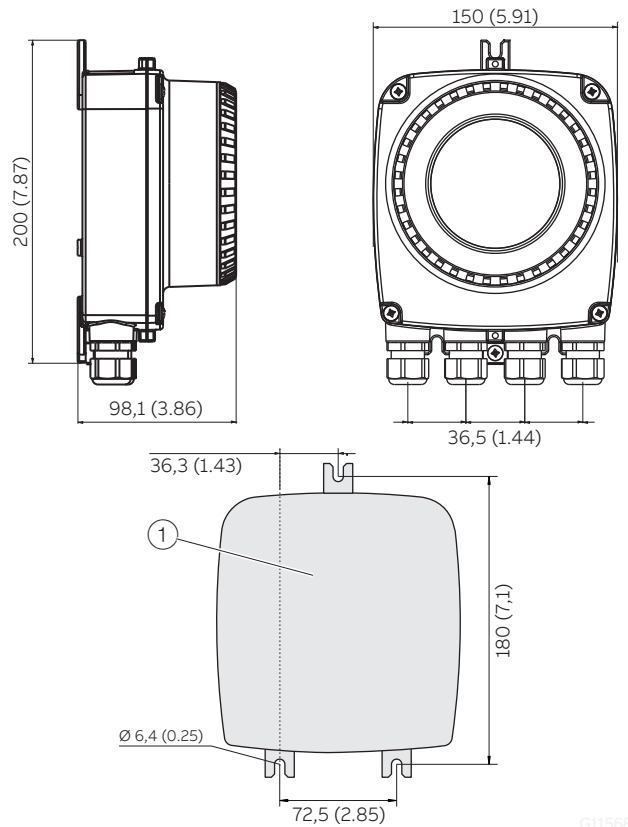
- Observe the information concerning maximum ambient temperature and IP rating on the name plate
- The location must be mostly free from vibration.
- The location must not be exposed to direct sunlight. If necessary provide a sun screen on site.
- Do not up-scale the maximum signal cable length between the transmitter and the sensor.

1. Drill mounting holes at mounting location.
2. Attach transmitter securely to the mounting location using suited fasteners for the base material.



① Hole pattern for mounting holes

Figure 24: Mounting dimensions dual-compartment housing



① Hole pattern for mounting holes

Figure 25: Mounting dimensions single-compartment housing

G11568

## Opening and closing the housing

### **⚠ DANGER**

**Danger of explosion if the device is operated with the transmitter housing or terminal box open!**

While using the device in potentially explosive atmospheres before opening the transmitter housing or the terminal box, note the following points:

- A valid fire permit must be present.
- Make sure that no flammable or hazardous atmospheres are present.

### **⚠ WARNING**

**Risk of injury due to live parts!**

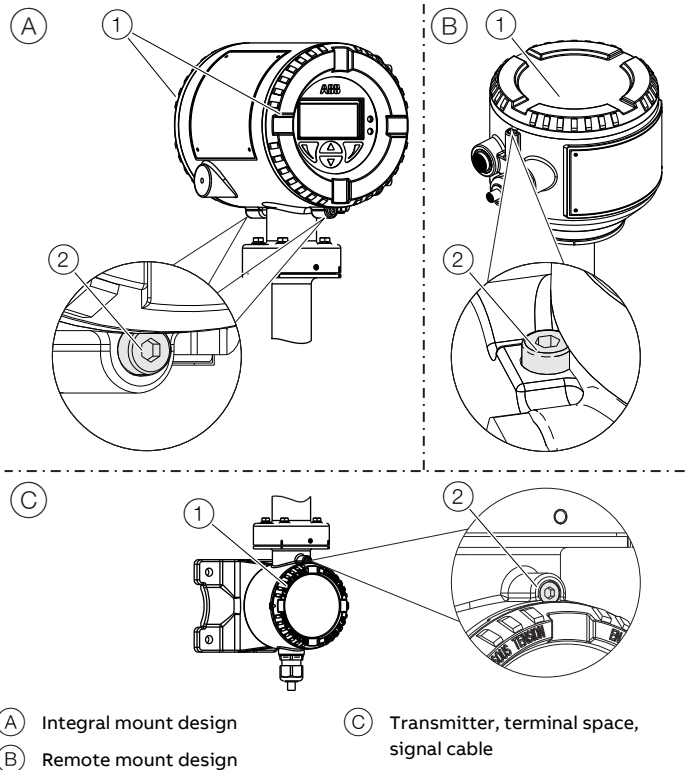
When the housing is open, contact protection is not provided and EMC protection is limited.

- Before opening the housing, switch off the power supply.

### **NOTICE**

**Potential adverse effect on the IP rating**

- Check the O-ring gasket for damage and replace it if necessary before closing the housing cover.
- Check that the O-ring gasket is properly seated when closing the housing cover.



(A) Integral mount design

(B) Remote mount design

(C) Transmitter, terminal space, signal cable

Abbildung 26: Deckelsicherung (Beispiel)

Figure 27: Cover lock (example)

#### **Open the housing:**

1. Release the cover lock by screwing in the Allen screw (2).
2. Unscrew cover (1).

#### **Close the housing:**

1. Screw on the cover (1).
2. After closing the housing, lock the cover by unscrewing the Allen screw (2).

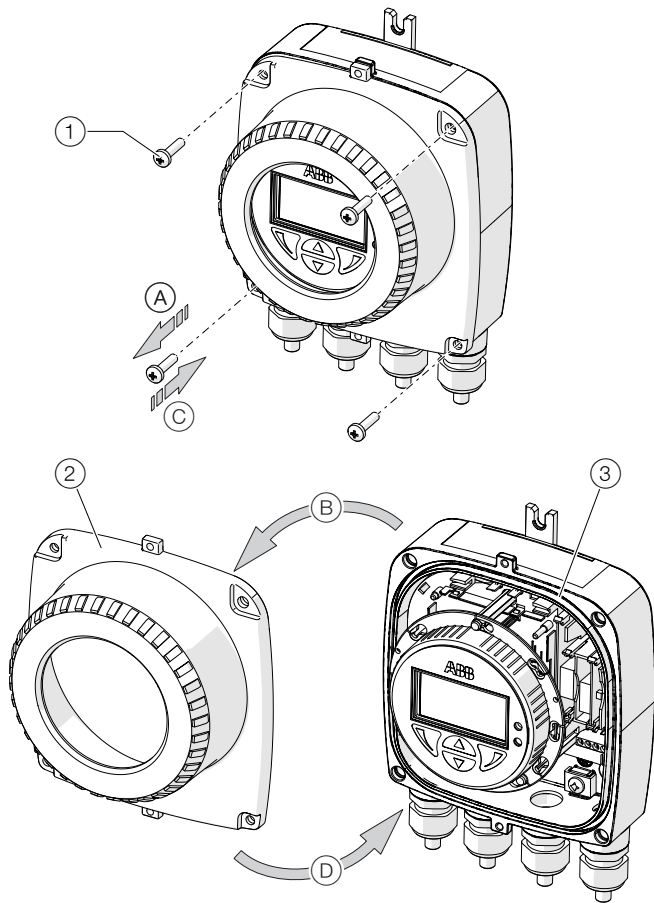
## ... 5 Installation

### ... Opening and closing the housing

#### NOTICE

##### Potential adverse effect on the IP rating

- Check the gasket for damage and replace it if necessary before closing the housing cover.
- Check that the gaskets are properly seated when closing the housing cover.



- ① Cover screws
- ② Transmitter housing cover
- ③ Gasket

Figure 28: Open / close single-compartment housing

**Open transmitter housing:** Perform steps (A) and (B).

**Close transmitter housing:** Perform steps (C) and (D).

### Adjusting the transmitter position

Depending on the installation position, the transmitter housing or LCD display can be rotated to enable horizontal readings.

In addition, the display in the LCD indicator can be rotated by 180° using the parameter 'Display Rotation' (see **Menu: Display** on page 87).

#### Transmitter housing

#### ⚠ DANGER

##### Damaging the device carries a risk of explosion!

When the screws for the transmitter housing are loosened, the explosion protection is suspended.

Tighten all screws prior to commissioning.

Never disconnect the transmitter housing from the sensor.

Only loosen the screws shown when rotating the transmitter housing!

Rotate transmitter housing: Perform steps (A) to (C).

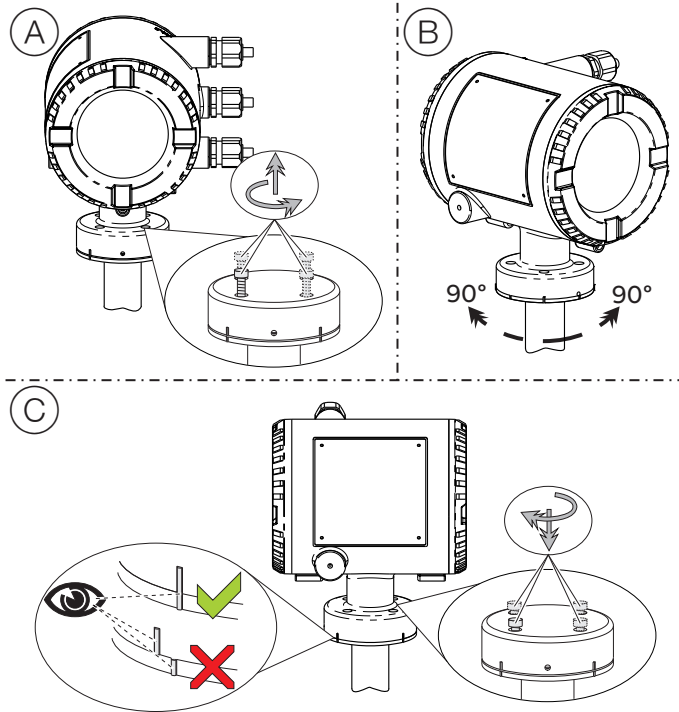


Figure 29: Rotate transmitter housing



**Rotate LCD indicator – dual-compartment housing**

The LCD indicator can be rotated in three increments of 90° each. To open and close the housing, refer to **Opening and closing the housing** on page 23.

Turn the LCD indicator:

Perform steps (A) to (F).

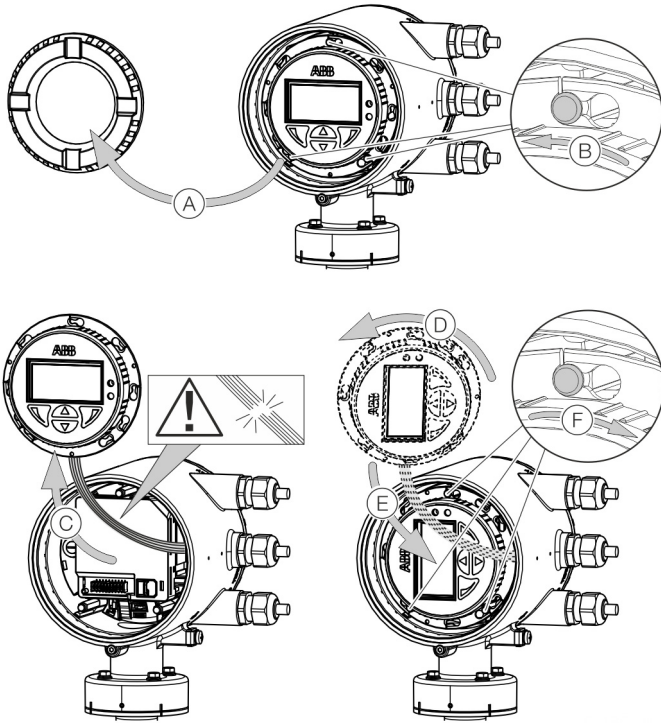


Figure 30: Rotating the LCD indicator

**Rotate LCD indicator – single-compartment housing**

The LCD indicator can be rotated in three increments of 90° each. To open and close the housing, refer to **Opening and closing the housing** on page 23.

Turn the LCD indicator:

Perform steps (A) to (F).

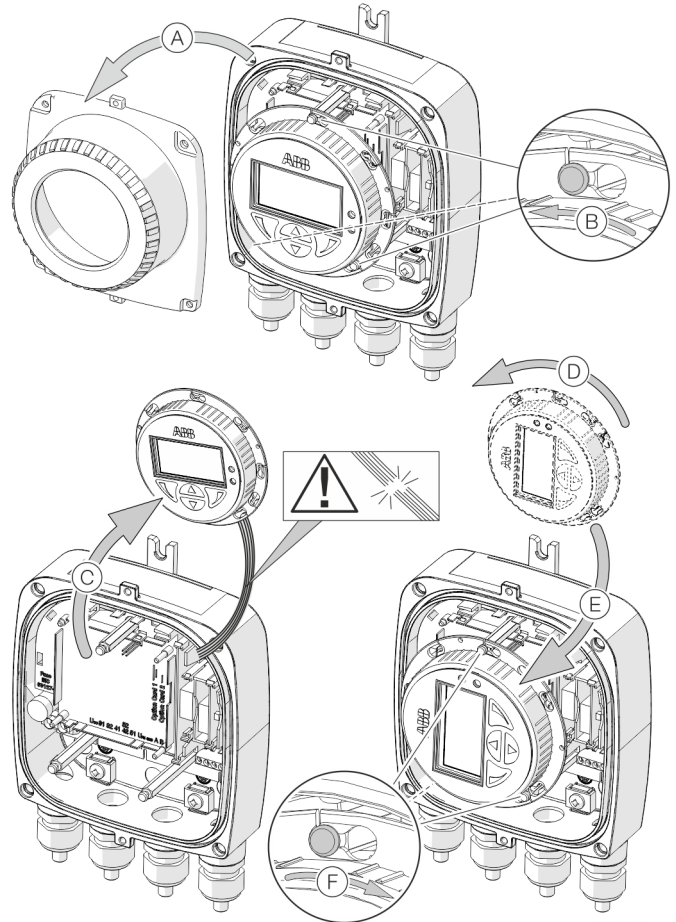


Figure 31: Rotating the LCD indicator

## ... 5 Installation

### Installing the plug-in cards

#### WARNING






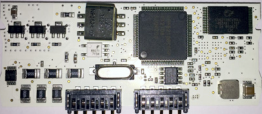
##### Loss of Ex Approval!

Loss of Ex Approval due to retrofitting of plug-in cards on devices for use in potentially explosive atmospheres.

- Devices for use in potentially explosive atmospheres may not be retrofitted with plug-in cards.
- If devices are to be used in potentially explosive atmospheres, the required plug-in cards must be specified when the order is placed.

#### Optional plug-in cards

The transmitter has two slots (OC1, OC2) into which plug-in cards can be inserted to extend inputs and outputs. The slots are located on the transmitter motherboard and can be accessed after removing the front housing cover.

Plug-in card	Description	Quantity*
	Current output, 4 to 20 mA passive (red) Order no.: 3KQZ400029U0100	Maximum of two plug-in cards
	Passive digital output (green) Order no.: 3KQZ400030U0100	Maximum of one plug-in card
	Passive digital input (yellow) Order no.: 3KQZ400032U0100	Maximum of one plug-in card
	Loop power supply 24 V DC (blue) Order no.: 3KQZ400031U0100	Maximum of one plug-in card
	Modbus RTU RS485 (white) Order no.: 3KQZ400028U0100	Maximum of one plug-in card
	Profibus DP (white) Order no.: 3KQZ400027U0100	Maximum of one plug-in card

\* The 'Number' column indicates the maximum number of plug-in cards of the same type that can be used.

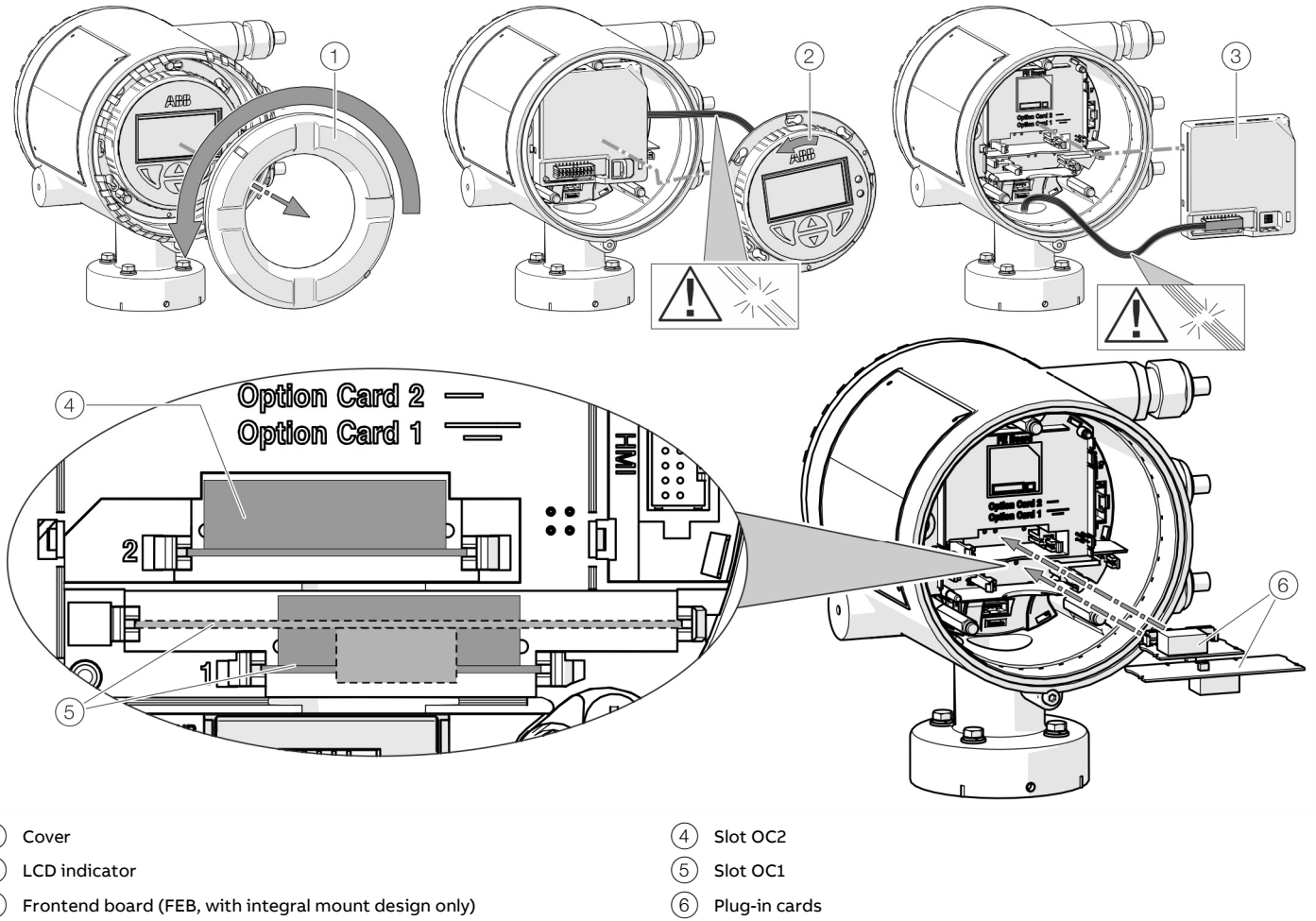
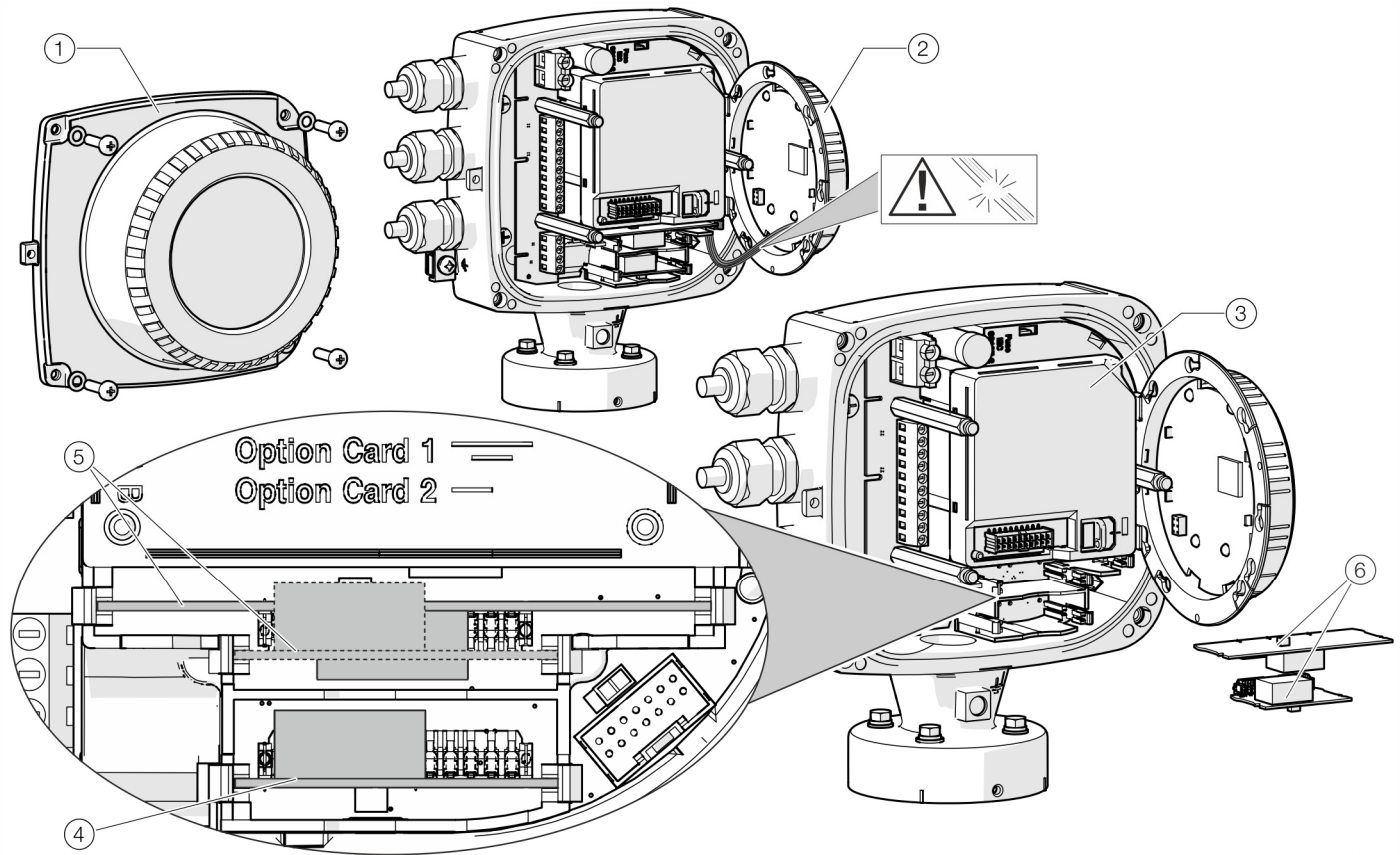


Figure 32: Installation of plug-in cards (example, dual-compartment housing)

## ... 5 Installation

### ... Installing the plug-in cards



- ① Cover
- ② LCD indicator
- ③ Slot OC1
- ④ Slot OC2
- ⑤ Plug-in cards

Figure 33: Installation of plug-in cards (example, single-compartment housing)

### **! WARNING**

#### **Risk of injury due to live parts!**

When the housing is open, contact protection is not provided and EMC protection is limited.

- Before opening the housing, switch off the power supply.

### **NOTICE**

#### **Damage to components!**

The electronic components of the printed circuit board can be damaged by static electricity (observe ESD guidelines).

- Make sure that the static electricity in your body is discharged before touching electronic components.

1. Switch off the power supply.
2. Unscrew / remove the cover.
3. Remove the LCD indicator. Ensure that the cable harness is not damaged.  
Insert the LCD indicator into the bracket (only for single-compartment housings)
4. Remove frontend board (only in integral mount design and dual-compartment housing). Ensure that the cable harness is not damaged.
5. Insert the plug-in card in the corresponding slot and engage. Ensure that the contacts are aligned correctly.
6. Attach the frontend board, insert the LCD indicator and screw on / replace the cover.
7. Connect outputs V1 / V2 and V3 / V4 in accordance with **Electrical connections** on page 29.
8. After powering up the power supply, configure the plug-in card functions.

## 6 Electrical connections

### Safety instructions

#### **WARNING**

##### **Risk of injury due to live parts.**

Improper work on the electrical connections can result in electric shock.

- Connect the device only with the power supply switched off.
- Observe the applicable standards and regulations for the electrical connection.

The electrical connection may only be established by authorized specialist personnel and in accordance with the connection diagrams.

The electrical connection information in this manual must be observed; otherwise, the IP rating may be adversely affected. Ground the measurement system according to requirements.

### Use in Potentially Explosive Atmospheres

#### **Note**

- An additional document with Ex safety instructions is available for measuring systems that are used in potentially explosive atmospheres.
- Ex safety instructions are an integral part of this manual. As a result, it is crucial that the installation guidelines and connection values it lists are also observed.

The icon on the name plate indicates the following:



### Sensor grounding

#### **General information on grounding**

Observe the following items when grounding the device:

- For plastic piping or piping with insulating liner, the ground is provided by the grounding plate or grounding electrodes.
- When stray potentials are present, install a grounding plate upstream and downstream of the sensor.
- For measurement-related reasons, the potential in the station ground and in the piping should be identical.

#### **Note**

If the sensor is installed in plastic or earthenware pipelines, or in pipelines with an insulating liner, compensating currents may flow through the grounding electrode in special cases (e.g. with corrosive measuring media, acids and bases)

In the long term, this may destroy the sensor, since the ground electrode will in turn degrade electrochemically.

In these special cases, the connection to the ground must be performed using grounding plates. Install a grounding plate upstream and downstream of the device in this case.

## ... 6 Electrical connections

### ... Sensor grounding

#### Metal pipe with fixed flanges

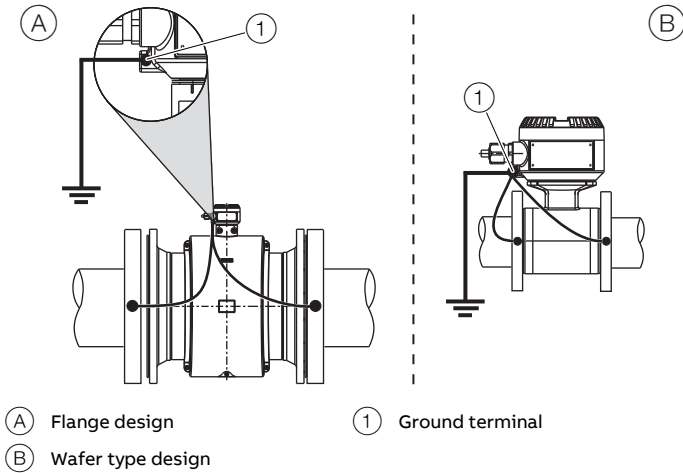


Figure 34: Metal pipe, without liner (example)

Use a copper wire [at least 2.5 mm<sup>2</sup> (14 AWG)] to establish the connection between the ground terminal of the sensor, the pipeline flanges and a suited grounding point in accordance with the figure.

#### Metal pipe with loose flanges

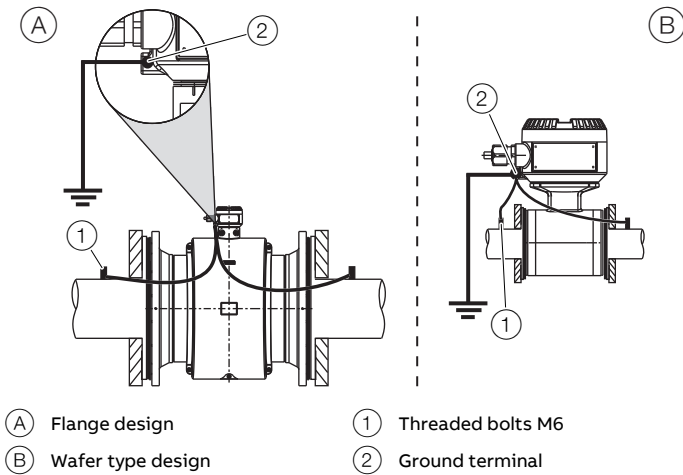


Figure 35: Metal pipe, without liner (example)

1. Solder the threaded bolts M6 to the piping and connect the ground in accordance with the figure.
2. Use a copper wire [at least 2.5 mm<sup>2</sup> (14 AWG)] to establish the connection between the ground terminal of the sensor and a suited grounding point in accordance with the figure.

#### Plastic pipes, non-metallic pipes or pipes with insulating liner

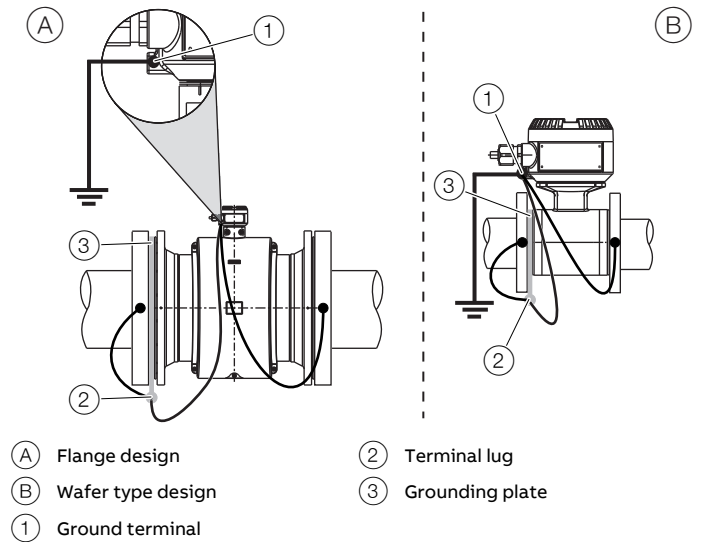


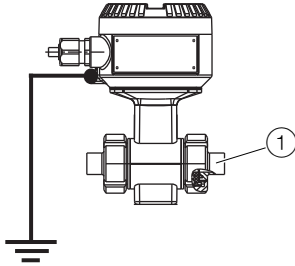
Figure 36: Plastic pipes, non-metallic pipes or pipes with insulating liner

For plastic pipes or pipes with insulating lining, the grounding of the measuring medium is provided by the grounding plate as shown in the figure below or via grounding electrodes that must be installed in the device (option).

If grounding electrodes are used, the grounding plate is not necessary.

1. Install the sensor with grounding plate in the piping.
2. Connect the terminal lug of the grounding plate and ground connection on the sensor using the grounding strap.
3. Use a copper wire with at least 2.5 mm<sup>2</sup> (14 AWG) to establish a connection between the ground connection and a suited grounding point.

### Sensor type HygienicMaster



① Process connection adapter

Figure 37: Sensor, type HygienicMaster

Perform grounding as shown in the figure. The measuring medium is grounded via the process connection adapter, so additional grounding is not required.

### Grounding for devices with protective plates

The protection plates are used to protect the edges of the meter tube liner, e.g. for abrasive media.

In addition, the protection plates function as a grounding plate.

- For plastic piping or piping with insulating liner, electrically connect the protection plate in the same manner as a grounding plate.

### Grounding with conductive PTFE grounding plate

Grounding plates made of conductive PTFE are optionally available for nominal diameter ranges of DN 10 to 250. These are installed similar to conventional grounding plates.

### Devices with extended diagnostic functions

For devices with extended diagnostic functions different installation conditions may be valid.

For additional information, see **Extended diagnostic functions** on page 118.

### Installation and grounding in piping with cathodic corrosion protection

The installation of electromagnetic flowmeters in systems with cathodic corrosion protection must be made in compliance with the corresponding system conditions. The following factors are especially important:

1. Pipelines inside electrically conductive or insulating.
2. Piping consistently and widely on cathodic corrosion protection potential. Or mixed systems with ranges on cathodic corrosion protection potential and ranges on functional ground potential.
  - In the case of pipes free from stray current and insulated on the inside with liner, the sensor should be installed in the piping insulated with grounding plates (upstream and downstream from the sensor). The cathodic corrosion potential is bypassed around the sensor. The grounding plates upstream and downstream of the sensor are connected to functional ground (Figure 38 / Figure 39).
  - If the occurrence of external stray currents is to be expected in piping with internal insulation (e.g. in the case of long pipe sections in the vicinity of power supply units), an uninsulated pipe of approx.  $\frac{1}{4} \times \text{DN}$  of length should be provided upstream and downstream of the sensor in order to deviate these external stray currents away from the sensor (Figure 40).

## ... 6 Electrical connections

### ... Sensor grounding

Internally insulated piping with cathodic corrosion potential

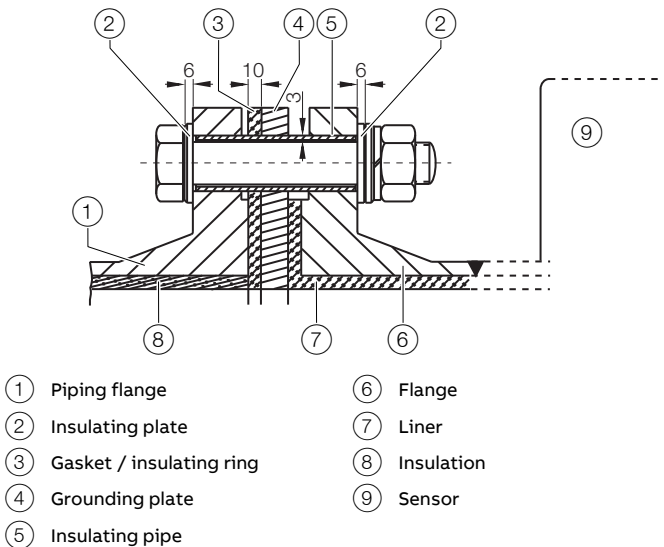
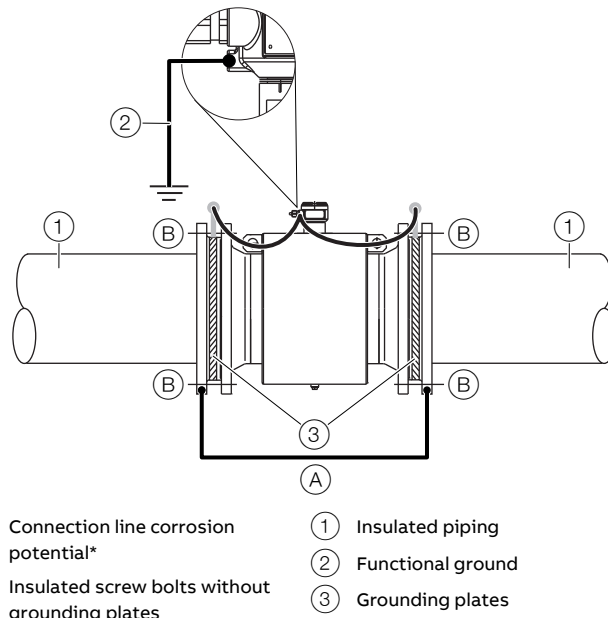


Figure 38: View Screw bolts

Install grounding plates on each side of the flowmeter sensor. Insulate the grounding plates from the pipe flanges and connect them to the flowmeter sensor and to functional ground. The screw bolts for flange connections should be mounted with insulation. The insulation plates and the insulation pipe are not included in the delivery. They must be provided onsite by the customer.



\*  $\geq 4 \text{ mm}^2 \text{ Cu}$ , not included in the delivery, to be provided on-site

Figure 39: sensor with grounding plate and functional ground

The corrosion protection potential must be diverted through a connecting line (A) away from the insulated installed sensor.



### Mixed system, piping with cathodic corrosion potential and functional ground potential

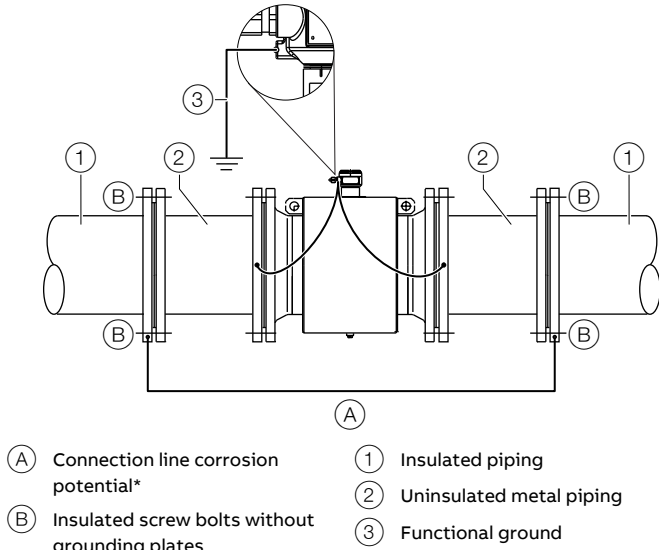


Figure 40: Sensor with functional ground

This mixed system has an insulated piping with corrosion protection potential and an uninsulated metal pipe ( $L = \frac{1}{4} \times \text{DN}$  sensor) with functional ground potential upstream and downstream of the sensor.

Figure 40 shows the preferred installation for cathodic corrosion protection.

## Power supply

### Note

- Adhere to the limit values of the power supply in accordance with the information on the name plate.
- Observe the voltage drop for large cable lengths and small conductor cross-sections. The voltage at the terminals of the device may not down-scale the minimum value required in accordance with the information on the name plate.

The power supply is connected to terminal L (phase), N (zero), or 1+, 2-, and PE.

A circuit breaker with a maximum rated current of 16 A must be installed in the power supply line.

The wire cross-sectional area of the power supply cable and the circuit breaker used must comply with VDE 0100 and must be dimensioned in accordance with the current consumption of the flowmeter measuring system. The cables must comply with IEC 227 and/or IEC 245.

The circuit breaker must be located near the device and marked as being associated with the device.

Connect the transmitter and sensor to functional earth.

## ... 6 Electrical connections

### Cable entries

The electrical connection is made via cable entries with a 1/2 in-NPT or M20 x 1.5 thread.

Devices with a M20 x 1.5 or 1/2 in-NPT thread are equipped with protective plugs.

The black protective plugs in the cable glands are intended to provide protection during transport.

Any unused cable entries must be sealed with sealing plugs before commissioning in accordance with the applicable national standards.

- Observe maximum torque of 4.5 Nm (3.3 ft lb) when tightening the M20 cable gland.
- Make sure that the cable outer dimension used will fit the clamping range of the cable gland.

### Connection via cable conduit

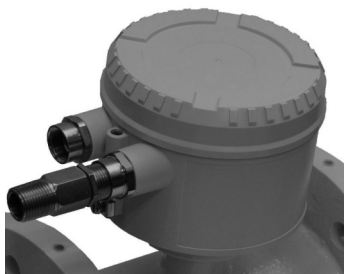


Figure 41: Installation set for cable conduit (Conduit)

### NOTICE

#### Condensate formation in terminal box!

If the flowmeter sensor is permanently connected to cable conduits, there is a possibility that moisture may get into the terminal box as a result of condensate formation in the cable conduit.

- Make sure that the cable conduits on the terminal box are sealed.

An installation set for sealing the cable conduit is available through order number 3KXF081300L0001 (Conduit).

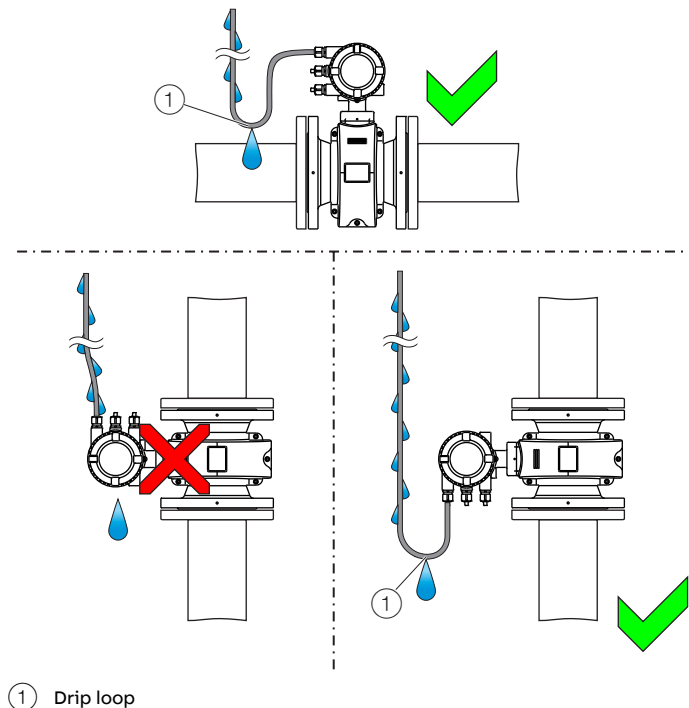
### Installing the connection cables

#### General information on cable installation

Ensure that a drip loop (water trap) is used when installing the connecting cables for the sensor.

When mounting the sensor vertically, position the cable entries at the bottom.

If necessary, rotate the transmitter housing accordingly.



① Drip loop

Figure 42: Installation of the connection cable (example, integral mount design)

### Notes on signal cable installation

(only for remote mount design)

Observe the following points when installing the signal cable:

- The maximum signal cable length is 200 m (565 ft).
- Only used signal cable which is in accordance with the following cable specifications.
- Avoid the vicinity of electrical equipment or switching elements that can create stray fields, switching pulses and induction. If this is not possible, run the signal / magnet coil cable through a metal pipe and connect this to the station ground.
- To shield against magnetic interspersion, the cable contains outer shielding. This should be connected to the SE clamp.
- Do not damage the sheathing of the cable during installation.

The signal cable used for the connection of the transmitter and sensor must fulfill at least the following technical specifications.

Cable specification	
Impedance	100 to 200 $\Omega$
Withstand voltage	120 V
Outer diameter	6 to 12 mm (0.24 to 0.47 in)
Cable design	Two wire pairs as a star-quad cable
Conductor cross-section	Length-dependent
Shield	Copper braid with approximately 85 % coverage
Temperature range	Depends on application.

### Maximum signal cable length

0.25 mm <sup>2</sup> (AWG 24)	50 m (164 ft)
0.34 mm <sup>2</sup> (AWG 22)	100 m (328 ft)
0.5 mm <sup>2</sup> (AWG 20)	150 m (492 ft)
0.75 mm <sup>2</sup> (AWG 19)	200 m (656 ft)

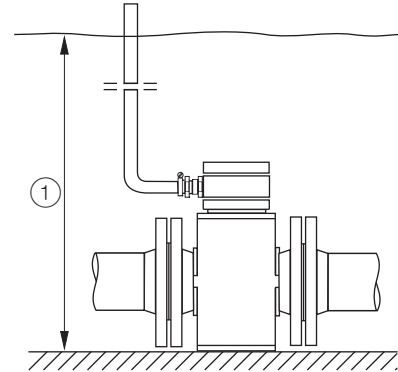
### Recommended cables

It is recommended to use an ABB signal cable with the order number 3KQZ407123U0100 for standard applications.

The ABB signal cable fulfills the above-mentioned cable specification and can be utilized unrestrictedly up to an ambient temperature of  $T_{amb} = 80\text{ }^{\circ}\text{C}$  (176  $^{\circ}\text{F}$ ).

For marine applications, an appropriate certified signal cable must be used. ABB recommends the cable HELKAMA RFE-FRHF 2x2x0,75 QUAD 250V (HELKAMA order number 20522).

## Connection with IP rating IP 68



① Maximum flooding height 5 m (16.4 ft)

Figure 43: Maximum flooding height for IP 68 sensors

For sensors with IP rating IP 68, the maximum flooding height is 5 m (16.4 ft).

The supplied signal cable fulfills all the submersion requirements.

The sensor is type-tested in accordance with EN 60529. Test conditions:

14 days at a flooding height of 5 m 16.4 ft).

## ... 6 Electrical connections

### ... Connection with IP rating IP 68

#### Electrical connection

#### NOTICE

##### Adverse effect on the IP rating IP 68

The IP rating IP 68 of the sensor may be adversely affected as a result of damage to the signal cable.

- The sheathing of the signal cable must not be damaged.

1. Use the supplied signal cable to connect the sensor and the transmitter.
2. Connect the signal cable in the terminal box of the sensor.
3. Route the cable from the terminal box to above the maximum flooding height of 5 m (16.4 ft).
4. Tighten the cable gland.
5. Carefully seal the terminal box. Make sure the gasket for the cover is seated properly.

#### Note

As an option, the sensor can be ordered with the signal cable already connected to the sensor and the terminal box already potted.

#### Potting the terminal box on-site

#### CAUTION

##### Danger to health!

The two-component potting compound is toxic – observe all relevant safety measures!

Comply with the safety data sheet of the two-component potting compound before preparations are started.

##### Risk notes:

- R20: Damaging to health when inhaled.
- R36/37/38: Irritates the eyes, respiratory organs and the skin.
- R42/43: Sensitization through inhaling and skin contact is possible.

##### Safety advice:

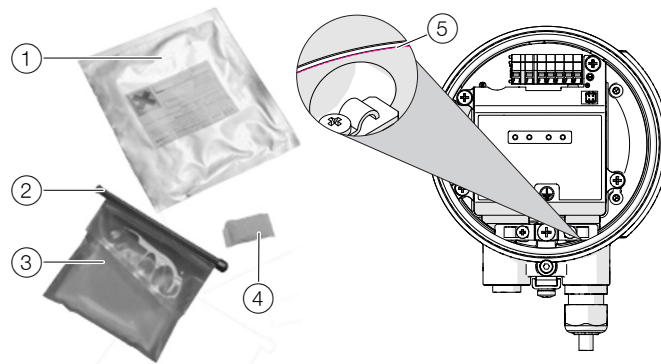
- S23: Do not inhale gas/smoke/humidity/aerosol.
- S24: Avoid contact with the skin.
- S37: Wear suited protective gloves.
- S63: In case of an accident due to inhaling: take the injured person out into the fresh air to rest.

If the terminal box is to be potted subsequently on-site, a special two-component potting compound can be ordered separately (order no. D141B038U01). Potting is only possible if the sensor is installed horizontally. Observe the following instructions during work activity:

#### Preparation

- Complete the installation before potting in order to avoid moisture penetration. Before starting, check all the connections for correct fitting and stability
- Do not overfill the terminal box. Keep the potting compound away from the O-ring and the gasket / groove (see Figure 44).
- Prevent the two-component potting compound from penetrating the cable conduit (Conduit) for an ½ in NPT installation (if used).

#### Procedure

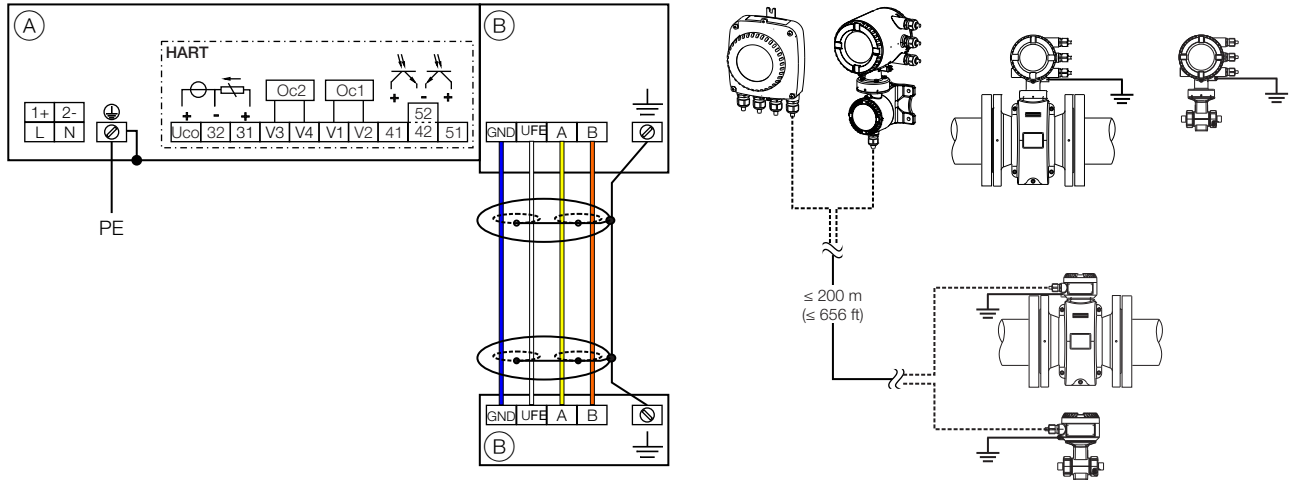


- |                                  |                      |
|----------------------------------|----------------------|
| ① Packaging bag                  | ④ Drying bag         |
| ② Connection clamp               | ⑤ Maximum fill level |
| ③ Two-component potting compound |                      |

Figure 44: Terminal box sealing

1. Cut open the protective enclosure of the two-component potting compound (see packing).
2. Remove the connection clamp of the potting compound.
3. Knead both components thoroughly until a good mix is reached.
4. Cut open the bag at a corner. Perform work activity within 30 minutes.
5. Carefully fill the terminal box with the two-component potting compound until the connection cable is covered.
6. Wait a few hours before closing the cover in order to allow the compound to dry, and to release any possible gas.
7. Ensure that the packaging material and the drying bag are disposed of in an environmentally sound manner.

## Pin assignment



(A) Connections for power supply and inputs / outputs

(B) Connections for signal cable (remote mount design only)

Figure 45: Electrical connections

### Note

For additional information on the grounding of the transmitter, see **Grounding** on page 18.

### Connections for the power supply

#### AC power supply

Terminal	Function / comments
L	Phase
N	Neutral conductor
PE / ⊕	Protective earth (PE)

#### DC voltage supply

Terminal	Function / comments
1+	+
2-	-
PE / ⊕	Protective earth (PE)

### Connections for inputs and outputs

Terminal	Function / comments
Uco / 32	Current output 4 to 20 mA- / HART® output, active or
31 / 32	Current output 4 to 20 mA- / HART® output, passive
41 / 42	Passive digital output DO1
51 / 52	Passive digital output DO2
V1 / V2	Plug-in card, slot OC1
V3 / V4	Plug-in card, slot OC2
	For details, see <b>Optional plug-in cards</b> on page 26.

### Connecting the signal cable

Only for remote mount design.

The sensor housing and transmitter housing must be connected to potential equalization.

Terminal	Function / comments
U <sub>FE</sub>	Sensor power supply
GND	Ground
A	Data line
B	Data line
⊕	Functional earth / Shielding

## ... 6 Electrical connections

### ... Pin assignment

#### Electrical data for inputs and outputs

##### Note

- An additional document with Ex safety instructions is available for measuring systems that are used in potentially explosive atmospheres.
- Ex safety instructions are an integral part of this manual. As a result, it is crucial that the installation guidelines and connection values it lists are also observed.

The icon on the name plate indicates the following:



#### Power supply

AC power supply	
Terminals	L / N
Operating voltage	100 to 240 V AC (-15 % / +10 %), 47 to 64 Hz
Power consumption	$S_{max}: < 20 \text{ VA}$
Power-up current	18.4 A, $t < 3 \text{ ms}$

DC voltage supply	
Terminals	1+ / 2-
Operating voltage	16.8 to 30 V DC
Ripple	< 5 %
Power consumption	$P_{max}: < 20 \text{ W}$
Power-up current	21 A, $t < 10 \text{ ms}$

#### Current output $U_{co}$ / 32, 31 / 32

Can be configured for outputting mass flow and volume flow via the on-site software.

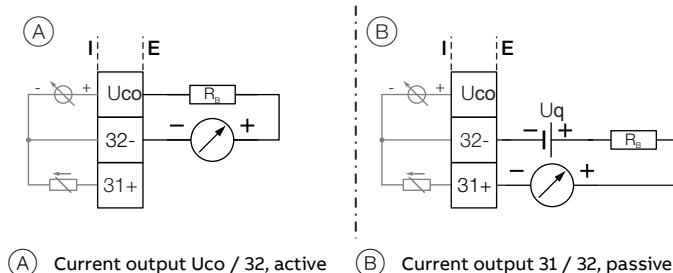
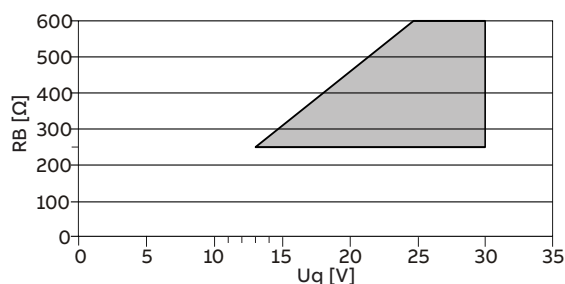


Figure 46: (I = internal, E = external,  $R_B$  = load)



Permissible source voltage  $U_q$  for passive outputs in relation to load resistance  $R_B$  where  $I_{max} = 22 \text{ mA}$ .  = Permissible range

Figure 47: Source voltage for passive outputs

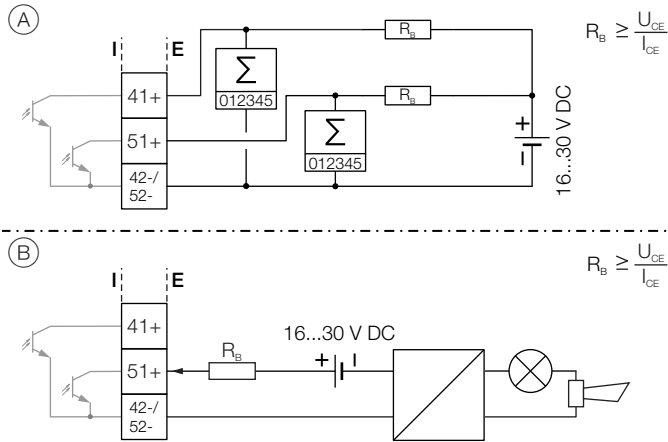
Current output	Active	Passive
Terminals	$U_{co}$ / 32	31 / 32
Output signal	4 to 20 mA or 4 to 12 to 20 mA switchable	4 to 20 mA
Load $R_B$	$250 \Omega \leq R_B \leq 300 \Omega$	$250 \Omega \leq R_B \leq 600 \Omega$
Source voltage $U_q^*$	—	$13 \text{ V} \leq U_q \leq 30 \text{ V}$
Measuring error	< 0.1 % of measured value	
Resolution	0.4 $\mu\text{A}$ per digit	
Insulation	The current output and digital outputs are electrically isolated.	

\* Source voltage  $U_q$  depends on the load  $R_B$  and must be within the permissible range.

For information on communication via the HART protocol, refer to **HART®** communication on page 49.

**Digital output 41 / 42, 51 / 52**

Can be configured as pulse, frequency or binary output via on-site software.



- (A) Digital output 41 / 42, 51 / 52 passive as a pulse or frequency output
- (B) Passive digital output 51 / 52 as binary output

Figure 48: (I = internal, E = external,  $R_B$  = load)

**Pulse / frequency output (passive)**

Terminals	41 / 42, 51 / 52
Output 'closed'	$0\text{ V} \leq U_{CEL} \leq 3\text{ V}$ For $f < 2.5\text{ kHz}$ : $2\text{ mA} < I_{CEL} < 30\text{ mA}$ For $f > 2.5\text{ kHz}$ : $10\text{ mA} < I_{CEL} < 30\text{ mA}$
Output 'open'	$16\text{ V} \leq U_{CEH} \leq 30\text{ V DC}$ $0\text{ mA} \leq I_{CEH} \leq 0.2\text{ mA}$
$f_{\text{max}}$	10.5 kHz
Pulse width	0.1 to 2000 ms

**Binary output (passive)**

Terminals	41 / 42, 51 / 52
Output 'closed'	$0\text{ V} \leq U_{CEL} \leq 3\text{ V}$ $2\text{ mA} \leq I_{CEL} \leq 30\text{ mA}$
Output 'open'	$16\text{ V} \leq U_{CEH} \leq 30\text{ V DC}$ $0\text{ mA} \leq I_{CEH} \leq 0.2\text{ mA}$
Switching function	Parameterization possible.

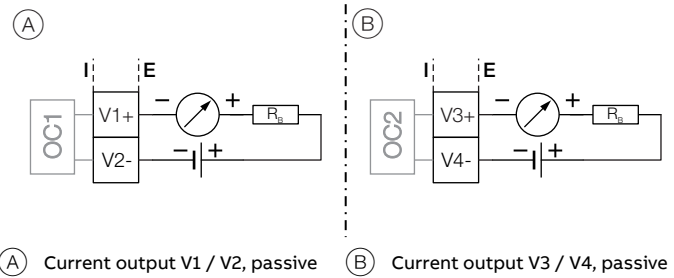
See Menu: **Input/Output** on page 88.

**Note**

- Terminals 42 / 52 have the same potential. Digital outputs DO 41 / 42 and DO 51 / 52 are not electrically isolated from each other. If an additional electrically isolated digital output is required, a corresponding plug-in module must be used.
- If you are using a mechanical counter, we recommend setting a pulse width of  $\geq 30\text{ ms}$  and a maximum frequency of  $f_{\text{max}} \leq 30\text{ Hz}$ .

**Current output V1 / V2, V3 / V4 (plug-in module)**

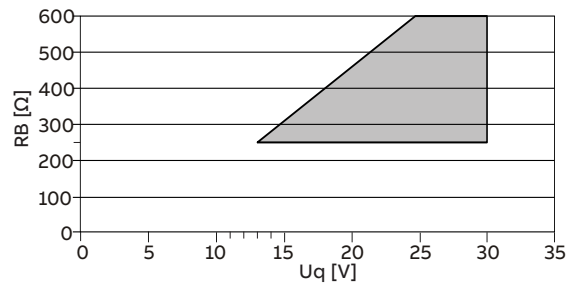
Up to two additional plug-in modules can be implemented via the 'Passive current output (red)' option module.



- (A) Current output V1 / V2, passive
- (B) Current output V3 / V4, passive

Figure 49: (I = internal, E = external,  $R_B$  = load)

The plug-in module can be used in slot OC1 and OC2.



Permissible source voltage  $U_q$  for passive outputs in relation to load resistance  $R_B$  where  $I_{\text{max}} = 22\text{ mA}$ .  = Permissible range

Figure 50: Source voltage for passive outputs

**Passive current output**

Terminals	V1 / V2, V3 / V4
Output signal	4 to 20 mA
Load $R_B$	$250\ \Omega \leq R_B \leq 600\ \Omega$
Source voltage $U_q$ *	$13\text{ V} \leq U_q \leq 30\text{ V}$
Measuring error	$< 0.1\%$ of measured value
Resolution	$0.4\ \mu\text{A}$ per digit

\* The source voltage  $U_q$  is dependent of the load  $R_B$  and must be placed in an additional area.

## ... 6 Electrical connections

### ... Pin assignment

#### Digital output V1 / V2, V3 / V4 (plug-in module)

The 'digital output passive (green)' plug-in card can be used to create **one** additional binary output.

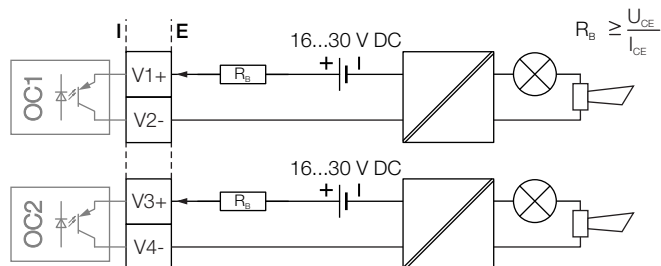


Figure 51: Plug-in card as binary output (I = internal, E = external, R<sub>b</sub> = load)

The plug-in module can be used in slot OC1 or OC2.

#### Binary output (passive)

Terminals	V1 / V2, V3 / V4
Output 'closed'	0 V ≤ U <sub>CEL</sub> ≤ 3 V 2 mA < I <sub>CEL</sub> < 30 mA
Output 'open'	16 V ≤ U <sub>CEH</sub> ≤ 30 V DC 0 mA ≤ I <sub>CEH</sub> ≤ 0.2 mA
Switching function	Parameterization possible. See <b>Menu: Input/Output</b> on page 88.

#### Digital input V1 / V2, V3 / V4 (plug-in module)

A digital input can be implemented via the 'Passive digital input (yellow)' plug-in module.

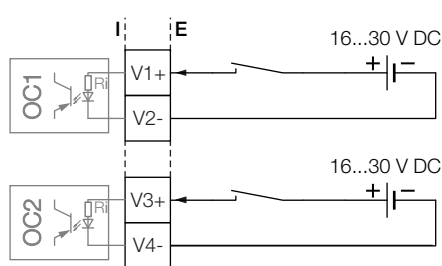


Figure 52: Plug-in card as digital input (I = internal, E = external)

The plug-in module can be used in slot OC1 or OC2.

#### Digital input

Terminals	V1 / V2, V3 / V4
Input 'On'	16 V ≤ U <sub>KL</sub> ≤ 30 V
Input 'Off'	0 V ≤ U <sub>KL</sub> ≤ 3 V
Internal resistance R <sub>i</sub>	6.5 kΩ
Function	Parameterization possible. See <b>Menu: Input/Output</b> on page 88.



**24 V DC loop power supply (plug-in module)**

Use of the ‘loop power supply (blue)’ plug-in card allows a passive output on the transmitter to be used as an active output. See also **Connection examples** on page 42.

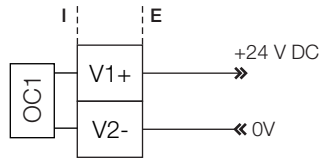


Figure 53: (I = Internal, E = External)

The plug-in module can only be used in slot OC1.

Loop power supply 24 V DC	
Terminals	V1 / V2
Function	For active connection of passive outputs
Output Voltage	24 V DC at 0 mA, 17 V DC at 25 mA
Load rating $I_{max}$	25 mA, permanently short circuit-proof

**Note**

If the device is used in potentially explosive atmospheres, the plug-in card for the loop power supply may only be used to supply a passive output. It is not allowed, to connect it to multiple passive outputs!

**Modbus / PROFIBUS DP interface V1 / V2 (plug-in card)**

A Modbus or PROFIBUS DP interface can be implemented by using the ‘Modbus RTU, RS485 (white)’ or ‘PROFIBUS DP, RS485 (white)’ plug-in cards.

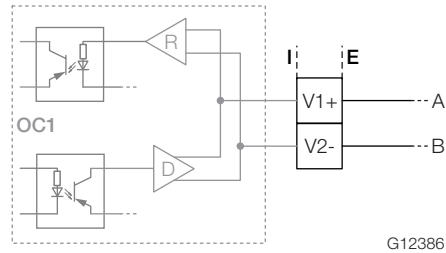


Figure 54: Plug-in card as a Modbus / PROFIBUS DP interface (I = internal, E = external)

The corresponding plug-in card can only be used in slot OC1.

For information on communication through the Modbus or PROFIBUS DP protocols, refer to chapters **Modbus® communication** on page 49 and **PROFIBUS DP® communication** on page 50.

## ... 6 Electrical connections

### ... Pin assignment

#### Connection examples

Input and output functions are configured via the device software in accordance with the desired application.

**Parameter descriptions** on page 78

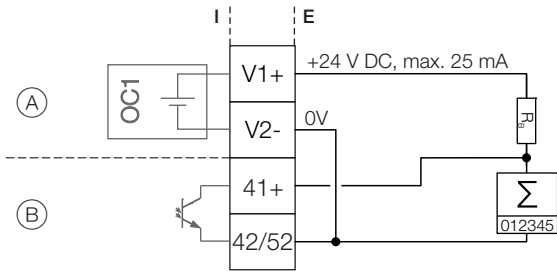
#### Active digital output 41 / 42, 51 / 52, V3 / V4

When the 'loop power supply 24 V DC (blue)' plug-in card is used, the digital outputs on the basic device and on the option modules can also be wired as active digital outputs.

#### Note

Each 'loop power supply (blue)' plug-in card must only power one output.

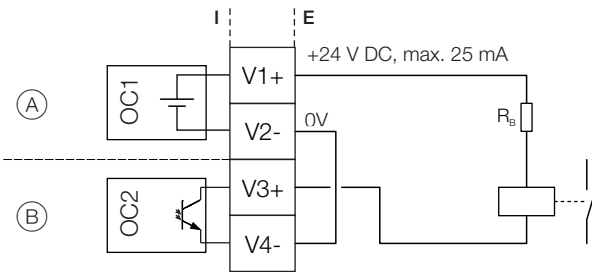
It must not be connected to two outputs (for example digital output 41 / 42 and 51 / 52)!



- (A) 'Loop power supply (blue)' plug-in card in slot 1
- (B) Digital output, digital output 41 / 42

Figure 55: Active digital output 41 / 42 (example)

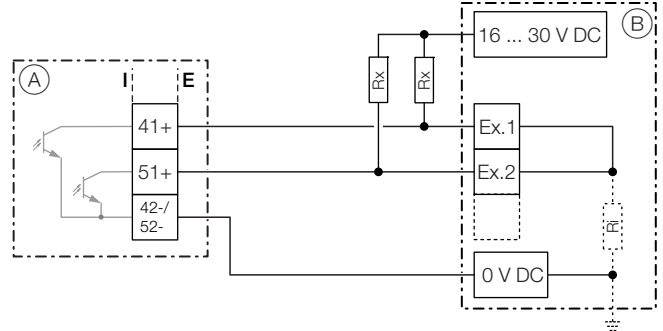
The connection example shows usage for digital output 41 / 42; the same applies to usage for digital output 51 / 52.



- (A) 'Loop power supply (blue)' plug-in card in slot 1
- (B) 'Digital output (green)' plug-in card in slot 2

Figure 56: Active digital output V3 / V4 (example)

#### Digital output 41 / 42, 51 / 52 passive on distributed control system



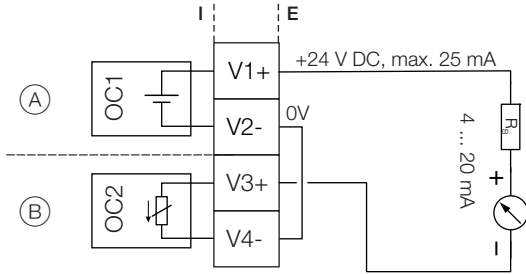
- (A) Transmitter
- (B) Distributed control system / Memory programmable controller
- Ex. 1 Input 1
- Ex. 2 Input 2
- $R_X$  Resistor for current limitation
- $R_i$  Distributed control system internal resistance

Figure 57: Digital output 41 / 42 on distributed control system (example)

The  $R_X$  resistors limit the maximum current through the optoelectronic coupler of the digital outputs in the transmitter. The maximum permissible current is 25 mA. An  $R_X$  value of 1000  $\Omega$  / 1 W is recommended at a voltage level of 24 V DC. The input on the distributed control system is reduced from 24 V DC to 0 V DC (falling edge) with '1' at the digital output.

**Active current output V3 / V4**

When the 'loop power supply 24 V DC, blue' plug-in card is used, the current output on the plug-in card can also be wired as the active current output.

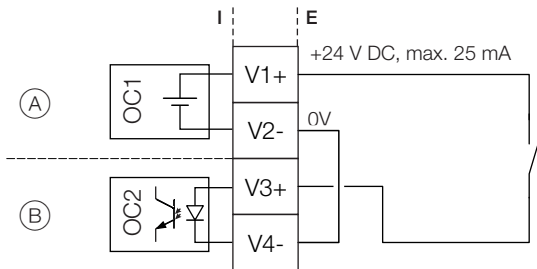


- (A) 'Loop power supply (blue)' plug-in card in slot 1
- (B) 'Passive current output (red)' plug-in card in slot 2

Figure 58: Active current output V3 / V4 (example)

**Digital input V3 / V4 active**

When the 'loop power supply 24 V DC, blue' plug-in card is used, the current output on the plug-in card can also be wired as the active current output.



- (A) 'Loop power supply (blue)' plug-in card in slot 1
- (B) 'Passive digital input (yellow)' plug-in card in slot 2

Figure 59: Active digital output V3 / V4 (example)

**Connection versions digital output 41 / 42, 51 / 52**

Depending on the wiring of digital outputs DO 41 / 42 and 51 / 52, they can be used parallel or only individually. The electrical isolation between the digital outputs also depends on the wiring.

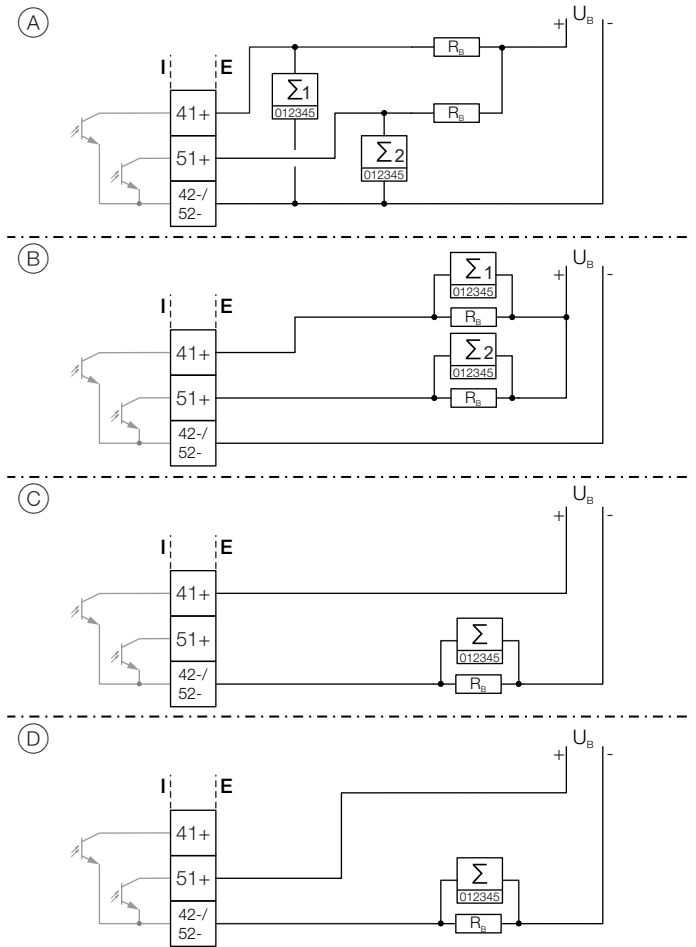


Figure 60: Connection versions digital output 41 / 42 and 51 / 52

	DO 41 / 42 and 51 / 52 can be used parallel	DO 41 / 42 and 51 / 52 electrically isolated
(A)	Yes	No
(B)	Yes	Yes
(C)	No, only DO 41 / 42 can be used	No
(D)	No, only DO 51 / 52 can be used	No

Table 1: Connection versions digital output

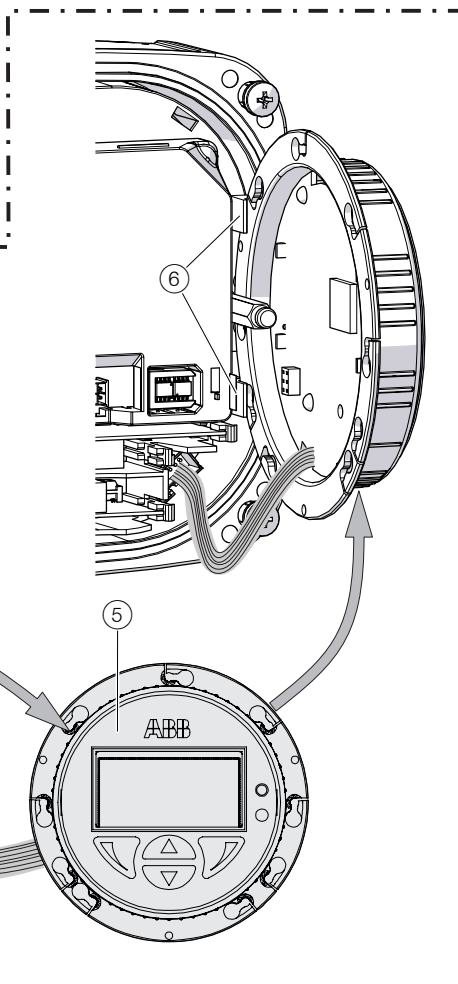
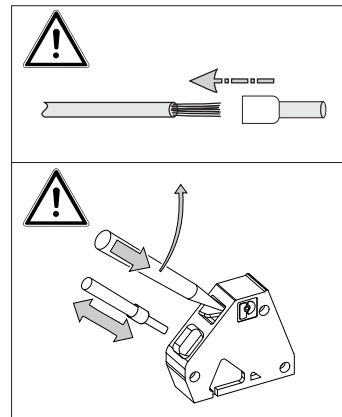
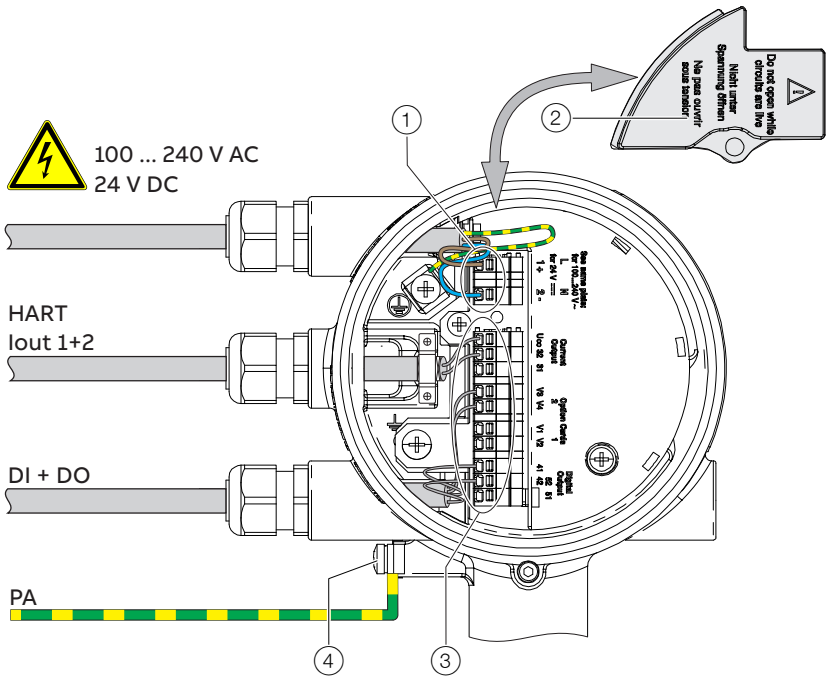
G12392

# ... 6 Electrical connections

## ... Pin assignment

### Connection to integral mount design

#### Dual- compartment housing



#### Single-compartment housing

- ① Terminals for power supply
- ② Cover for power supply terminals
- ③ Terminals for inputs and outputs
- ④ Terminal for potential equalization
- ⑤ LCD indicator
- ⑥ Bracket for LCD indicator (park position)

Figure 61: Connection to device (example), PA = potential equalization

**NOTICE**

**If the O-ring gasket is seated incorrectly or damaged, this may have an adverse effect on the housing protection class.**

Follow the instructions in **Opening and closing the housing** on page 23 to open and close the housing safely.

Observe the following points when connecting to an electrical supply:

- Lead the power supply cable into the housing through the top cable entry.
- Lead the cables for signal inputs and signal outputs into the housing through the middle and, where necessary, bottom cable entries.
- Connect the cables in accordance with the electrical connection. If present, connect the cable shielding to the earthing clamp provided.
- Use wire end ferrules when connecting.
- After connecting the power supply to the dual-compartment housing, terminal cover ② must be installed.
- Close unused cable entries using suited plugs.

# ... 6 Electrical connections

## ... Pin assignment

### Connection to remote mount design

#### Transmitter

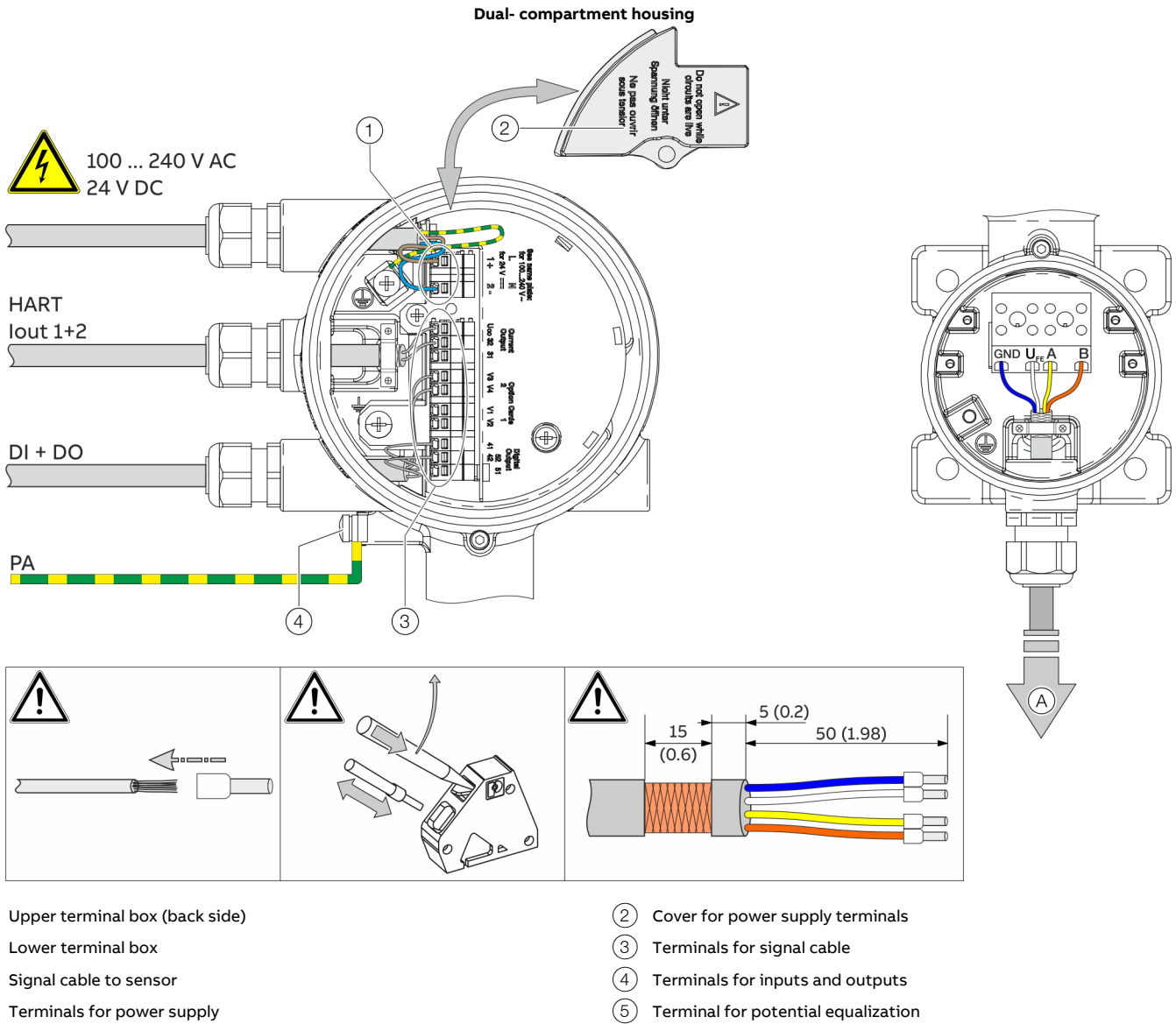
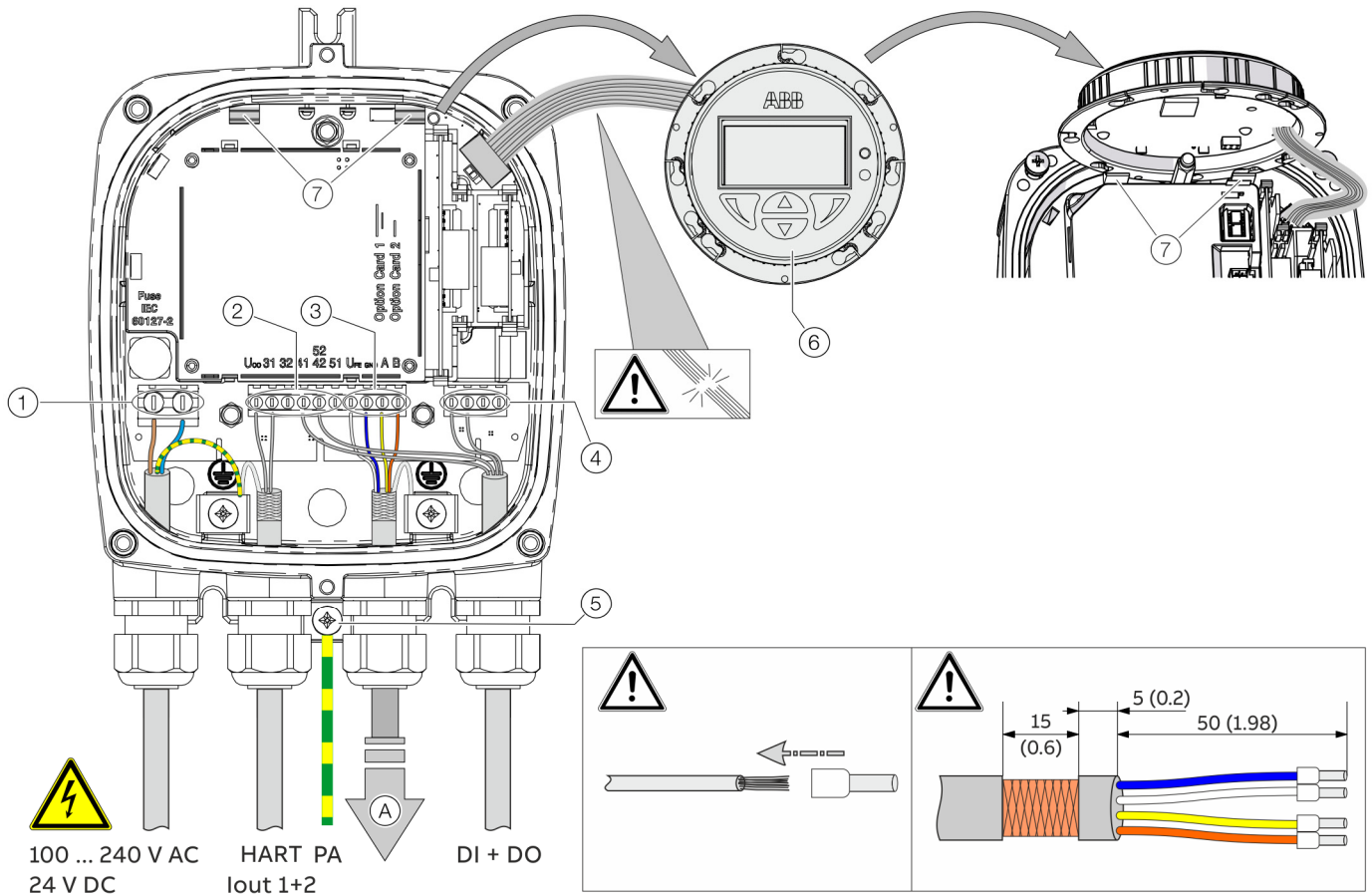


Figure 62: Electrical connection to transmitter in remote mount design [example, dimensions in mm (in)]

Single-compartment housing



- (A) Signal cable to sensor
- (1) Terminals for power supply
- (2) Terminals for inputs and outputs (base device)
- (3) Terminals for signal cable
- (4) Terminals for inputs and outputs (plug-in cards)
- (5) Terminal for potential equalization
- (6) LCD indicator
- (7) Bracket for LCD indicator (park position)

Figure 63: Electrical connection to transmitter in remote mount design [example, dimensions in mm (in)]

**NOTICE**

If the O-ring gasket is seated incorrectly or damaged, this may have an adverse effect on the housing protection class. Follow the instructions in **Opening and closing the housing** on page 23 to open and close the housing safely.

Observe the following points when connecting to an electrical supply:

- Lead the cable for the power supply and the signal inputs and outputs into the housing as shown.
- The signal cable to the sensor is connected in the lower connection area of the transmitter.
- Connect the cables in accordance with the electrical connection diagram. If present, connect the cable shielding to the earthing clamp provided.
- Use wire end ferrules when connecting.
- After connecting the power supply, terminal cover (2) must be installed.
- Close unused cable entries using suitable plugs.

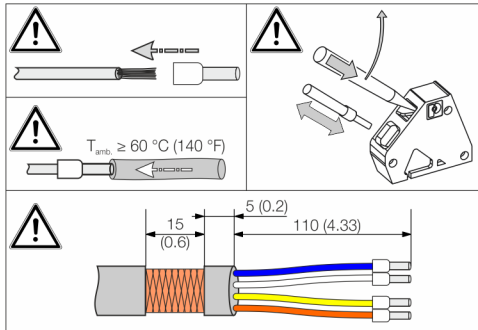
Terminal	ABB signal cable 3KQZ407123U0100	HELKAMA signal cable 20522
GND	Blue	Blue (4)
U <sub>FE</sub>	White	white (3)
A	Yellow	Blue (2)
B	Orange	white (1)

## ... 6 Electrical connections

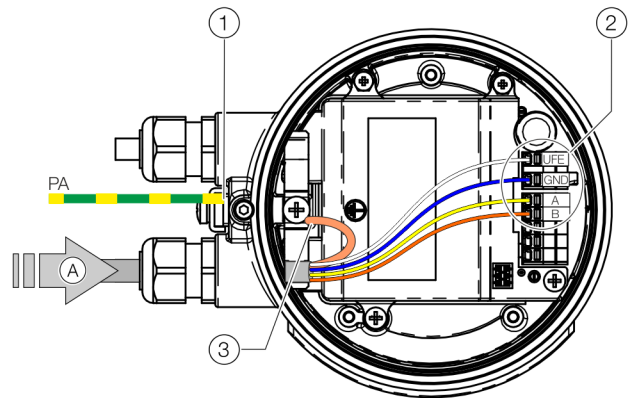
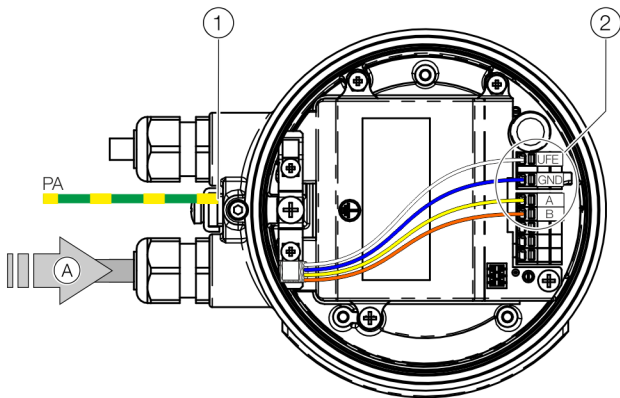
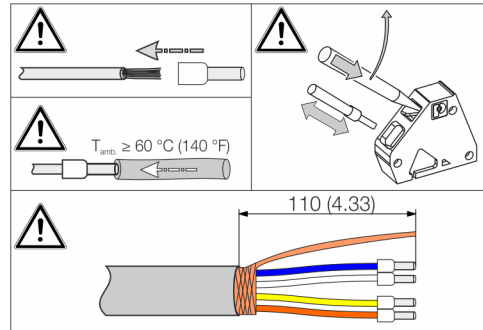
### ... Pin assignment

#### Flowmeter sensor

Aluminum terminal box



Plastic terminal box



- (A) Signal cable from the sensor
- (1) Terminal for potential equalization

- (2) Terminals for signal cable
- (3) Terminals for signal cable shielding

Figure 64: Connection to sensor in remote mount design (example)

### NOTICE

If the O-ring gasket is seated incorrectly or damaged, this may have an adverse effect on the housing protection class. Follow the instructions in **Opening and closing the housing** on page 23 to open and close the housing safely.

Observe the following points when connecting to an electrical supply:

- Lead the signal cable into the housing as shown.
- Connect the cables in accordance with the electrical connection. If present, connect the cable shielding to the earthing clamp provided.
- Use wire end ferrules when connecting.
- From an ambient temperature of  $T_{amb.} \geq 60 \text{ °C} (\geq 140 \text{ °F})$  additionally insulate the wires with the enclosed silicone hoses.
- Close unused cable entries using suited plugs.

Terminal	ABB signal cable 3KQZ407123U0100	HELKAMA signal cable 20522
GND	Blue	Blue (4)
$U_{FE}$	White	white (3)
A	Yellow	Blue (2)
B	Orange	white (1)



## Digital communication

### HART® communication

#### Note

The HART® protocol is not secure, as such the intended application should be assessed to ensure that these protocols are suitable before implementation.

In connection with the DTM (Device Type Manager) available to the device, communication (configuration, parameterization) can be carried out FDT 0.98 or 1.2 (DSV401 R2).

Other tool or system integrations (e.g. Emerson AMS / Siemens PCS7) on request.

The necessary DTMs and other files can be downloaded from [www.abb.com/flow](http://www.abb.com/flow).

HART output	
Terminals	Active: Uco / 32 Passive: 31 / 32
Protocol	HART 7.1
Transmission	FSK modulation on current output 4 to 20 mA in accordance with the Bell 202 standard
Baud rate	1200 baud
Signal amplitude	Maximum 1.2 mAss

#### Factory setting of the HART process variables

HART process variable	Process value
Primary Value (PV)	$Q_m$ – Mass flow
Secondary Value (SV)	$Q_v$ – Volume flow rate
Tertiary Value (TV)	$\rho$ – Density
Quaternary Value (QV)	$T_m$ – Measuring medium temperature

The process values of the HART variables can be set in the device menu.

### Modbus® communication

#### Note

The Modbus® protocol are not secure, as such the intended application should be assessed to ensure that these protocols are suitable before implementation.

Modbus is an open standard owned and administrated by an independent group of device manufacturers styled the Modbus Organization ([www.modbus.org](http://www.modbus.org)).

Using the Modbus protocol allows devices made by different manufacturers to exchange information via the same communication bus, without the need for any special interface devices to be used.

Modbus protocol	
Terminals	V1 / V2
Configuration	Via the Modbus interface or via the local operating interface in connection with Asset Vision Basic (DAT200) and a corresponding Device Type Manager (DTM)
Transmission	Modbus RTU - RS485 serial connection
Baud rate	2400, 4800, 9600, 19200, 38400, 56000, 57600, 115200 baud Factory setting: 9600 baud
Parity	None, even, odd Factory setting: odd
Stop bit	One, two Factory setting: One
IEEE format	Little endian, big endian Factory setting: Little endian
Typical response time	< 100 ms
Response delay time	0 to 200 milliseconds Factory setting: 10 milliseconds

## ... 6 Electrical connections

### ... Digital communication

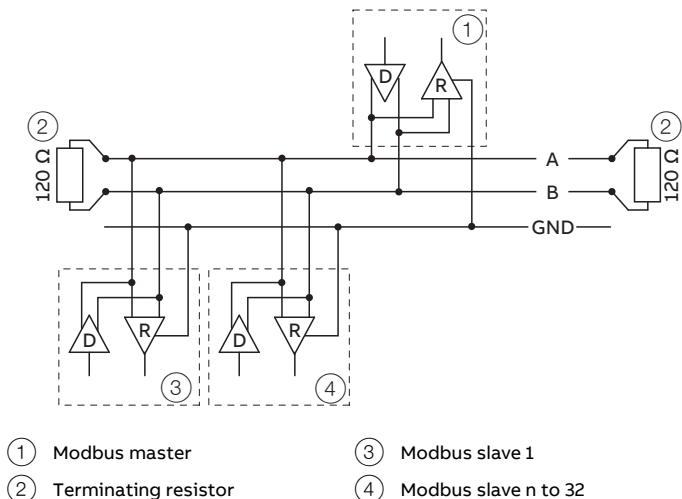


Figure 65: Communication with the Modbus protocol

#### Cable specification

The maximum permissible length is dependent on the baud rate, the cable (diameter, capacity and surge impedance), the number of loads in the device chain, and the network configuration (2-core or 4-core).

- At a baud rate of 9600 and with a conductor cross-section of at least 0.14 mm<sup>2</sup> (AWG 26), the maximum length is 1000 m (3280 ft).
- When using a 4-core cable as a 2-wire wiring system, the maximum length must be halved.
- The spur lines must be short, a maximum of 20 m (66 ft).
- When using a distributor with 'n' connections, each branch must have a maximum length of 40 m (131 ft) divided by 'n.'

The maximum cable length depends on the type of cable used. The following standard values apply:

- Up to 6 m (20 ft): cable with standard shielding or twisted-pair cable.
- Up to 300 m (984 ft): double twisted-pair cable with overall foil shielding and integrated earth cable.
- Up to 1200 m (3937 ft): double twisted-pair cable with individual foil shielding and integrated earth cables. Example: Belden 9729 or equivalent cable.

A category 5 cable can be used for Modbus RS485 up to a maximum length of 600 m (1968 ft). For the symmetrical pairs in RS485 systems, a surge impedance of more than 100 Ω is preferred, especially at a baud rate of 19200 and above.

#### PROFIBUS DP® communication

##### Note

The PROFIBUS DP protocol are not secure, as such the intended application should be assessed to ensure that these protocols are suitable before implementation

#### PROFIBUS DP interface

Terminals	V1 / V2
Configuration	Via the PROFIBUS DP interface or via the local operating interface in connection with Asset Vision Basic (DAT200) and a corresponding Device Type Manager (DTM)
Transmission	In accordance with IEC 61158-2
Baud rate	9.6 kbps, 19.2 kbps, 45.45 kbps, 93.75 kbps, 187.5 kbps, 500 kbps, 1.5 Mbps The baud rate is automatically detected and does not need to be configured manually
Device profile	PA Profile 3.02
Bus address	Address range 0 to 126 Factory setting: 126

For commissioning purposes, you will need a device driver in EDD (Electronic Device Description) or DTM (Device Type Manager) format plus a GSD file.

You can download EDD, DTM and GSD from [www.abb.com/flow](http://www.abb.com/flow).

The files required for operation can also be downloaded from [www.profibus.com](http://www.profibus.com).

ABB provides three different GSD files which can be integrated in the system.

ID number	GSD file name	
0x9740	PA139740.gsd	1xAI, 1xTOT
0x9700	PA139700.gsd	1AI
0x3432	ABB_3432.gsd	6xAI, 2xTOT, 1xAO, 1xDI, 1xDO

Users decide at system integration whether to install the full range of functions or only part. Switching is made using the 'Ident Nr. Selector' parameter.

See also **Ident Nr. Selector** on page 96.

### Limits and rules when using ABB fieldbus accessories

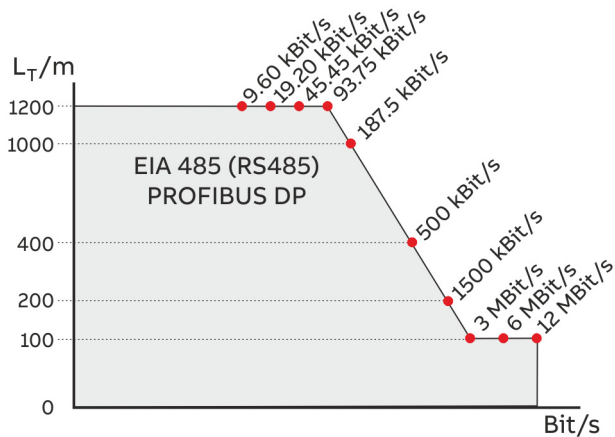


Figure 66: Bus cable length depends on the transmission rate

#### Pro PROFIBUS Line

(Line = Starts at DP Master and goes to last DP/PA Slave)

- Approximately 4 to 8 DP segments through the repeater (see repeater data sheets)
- Recommended DP transfer rate 500 to 1500 kBit/s
- The slowest DP node determines the transfer rate of the DP line
- Number of PROFIBUS DP and PA nodes  $\leq 126$  (addresses 0 to 125)

#### Per PROFIBUS DP segment

- Number of DP nodes  $\leq 32$   
(Node = Devices with / without PROFIBUS address)
- Bus termination required at the beginning and end of each DP segment!
- Trunk cable length ( $L_T$ ) see diagram (length dependent on transfer rate)
- Cable length of at least 1 m between two DP nodes at  $\geq 1500$  kBit/s!
- Spur cable length ( $L_S$ ), at  $\leq 1500$  kBit/s:  $L_S \leq 0.25$  m,  
at  $> 1500$  kBit/s:  $L_S = 0.00$  m!
- At 1500 kBit/s and ABB DP cable type A:
  - Sum of all spur cable lengths ( $L_S$ )  $\leq 6.60$  m, trunk cable length ( $L_T$ )  $> 6.60$  m, total length =  $L_T + (\sum L_S) \leq 200$  m, maximum 22 DP nodes (=  $6.60$  m / ( $0.25$  m +  $0.05$  m spare))

## 7 Commissioning

### Safety instructions

#### **CAUTION**

##### **Risk of burns due to hot measuring media**

The device surface temperature may exceed 70 °C (158 °F), depending on the measuring medium temperature!

- Before starting work on the device, make sure that it has cooled sufficiently.

Aggressive or corrosive media may lead to the damage of wetted parts of the sensor. As a result, measuring medium under pressure can leak out.

Wear to the flange gasket or process connection gaskets (e.g. pipe fitting, Tri-clamp, etc.) may caused a pressurized measuring medium to escape.

When using internal flat gaskets, they can become brittle through CIP- / SIP processes.

If pressure surges above the permissible nominal pressure of the device occur permanently during operation, this may affect the service life of the device.

If there is a chance that safe operation is no longer possible, take the device out of operation and secure it against unintended startup.

### Use in Potentially Explosive Atmospheres

#### Note

- An additional document with Ex safety instructions is available for measuring systems that are used in potentially explosive atmospheres.
- Ex safety instructions are an integral part of this manual. As a result, it is crucial that the installation guidelines and connection values it lists are also observed.

The icon on the name plate indicates the following:

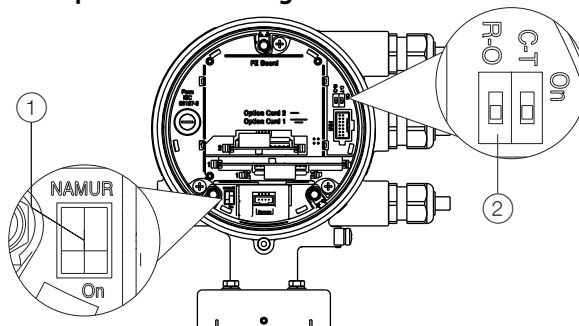


### Hardware settings

#### Note

The product has an ABB service account that can be disabled with this write protection switch.

#### Dual- compartment housing



① NAMUR DIP switch                      ② Write protection DIP switch

Figure 67: Position of the DIP switches

DIP switches are located behind the front housing cover. The DIP switches are used to configure specific hardware functions. The power supply to the transmitter must be briefly interrupted in order for the modified setting to take effect.

#### Write-protect switch

When write protection is activated, device parameterization cannot be changed via the LCD indicator. Activating and sealing the write protection switch protects the device against tampering

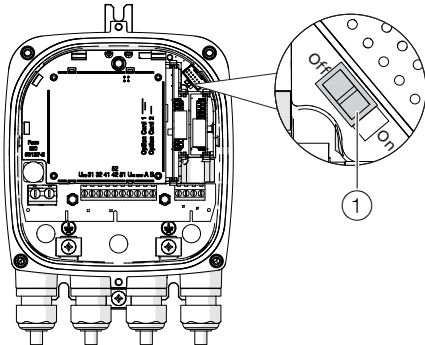
Number	Function
On	Write protection active
Off	Write protection deactivated.

#### Configuration of digital outputs 41 / 42 and 51 / 52

The configuration (NAMUR, optoelectronic coupler) for the digital outputs on the basic device is set via DIP switches in the transmitter.

Number	Function
On	Digital output 41 / 42 and 51 / 52 as NAMUR output.
Off	Digital output 41 / 42 and 51 / 52 as optoelectronic coupler output.

**Single-compartment housing**



① DIP switch, Write protection

Figure 68: Position of the DIP switch

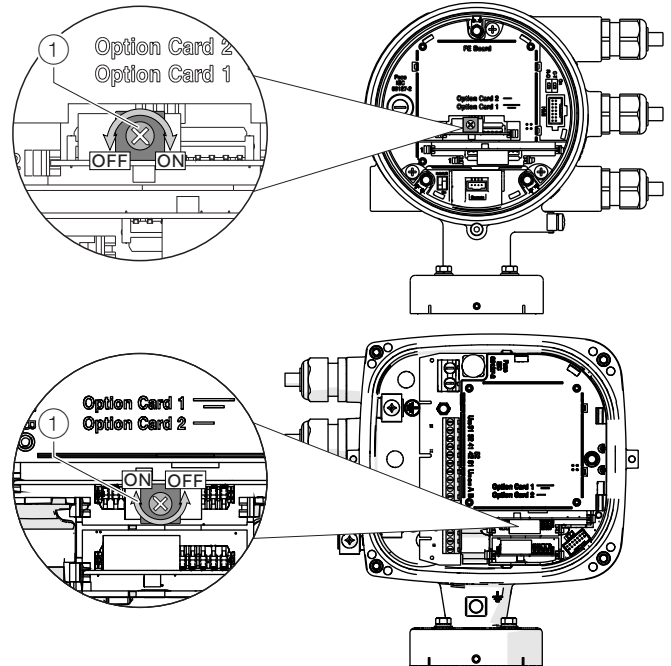
The DIP switches are used to configure specific hardware functions. The power supply to the transmitter must be briefly interrupted or the device reset in order for the modified setting to take effect.

**Write-protect switch**

When write protection is activated, device parameterization cannot be changed via the LCD indicator. Activating and sealing the write protection switch protects the device against tampering.

Number	Function
On	Write protection active
Off	Write protection deactivated.

**Configuration of digital outputs V1 / V2 or V3 / V4**



① NAMUR rotary switch

Figure 69: Position of rotary switch on the plug-in card

The configuration (NAMUR, optoelectronic coupler) for the digital output on the plug-in card is set via a rotary switch on the plug-in card.

Number	Function
On	Digital output V1 / V2 or V3 / V4 as NAMUR output.
Off	Digital output V1 / V2 or V3 / V4 as optoelectronic coupler output.

## ... 7 Commissioning

### Checks prior to commissioning

The following points must be checked before commissioning the device:

- Correct wiring in accordance with **Electrical connections** on page 29.
- Correct grounding of the sensor.
- The ambient conditions must meet the requirements set out in the specification.
- The power supply must meet the requirements set out on the name plate.

### Parameterization of the device

The FEP630, FEH630 can be commissioned and operated via the integrated LCD indicator (option, see **Parameterization via the menu function Easy Setup** on page 56).

Alternatively, the FEP630, FEH630 can also be commissioned and operated via ABB Asset Vision Basic (FEP6xx DTM).

#### Parameterization with the optional LCD indicator

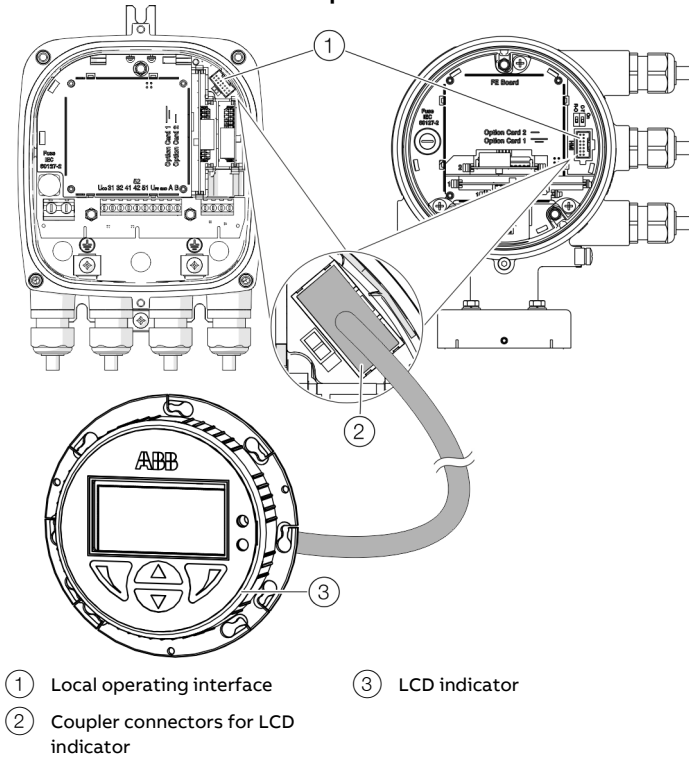


Figure 70: Optional LCD indicator

For devices without LCD indicator, an optional LCD indicator for parameterization can be connected.

#### Parameterization via the local operating interface

### **⚠ DANGER**

#### Explosion hazard

Risk of explosion during operation of the device with open terminal box!

- Only perform parameterization of the device via the local operating interface outside potentially explosive atmospheres!

A PC / Notebook and the USB interface cable are needed to configure the device via the device local operating interface. By combining the HART-DTM and the software **flow** available at [www.abb.com/ABB AssetVision](http://www.abb.com/ABB AssetVision), all parameters can also be set without a fieldbus connection.

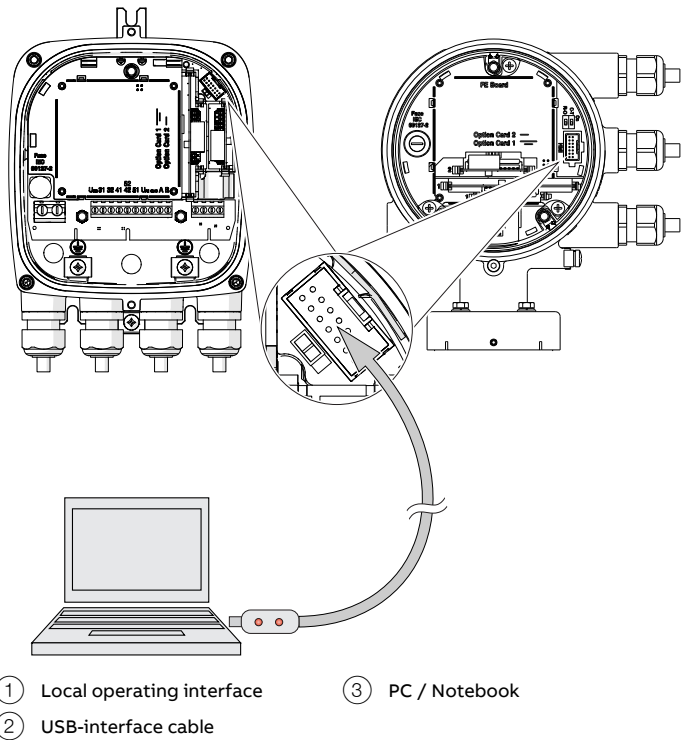


Figure 71: Connection to the local operating interface

1. Open device terminal box.
2. Connect programming plug to the local operating interface of the device.
3. Insert USB interface cable into a free USB female connector on the PC / notebook.
4. Switch on the device power supply.
5. Start ABB AssetVision and perform the parameterization of the equipment.

Detailed information on operating the software is available in the relevant operating instructions and the DTM online help.

### Parameterization via the infrared service port adapter

Configuration via the infrared service port adapter on the device requires a PC / notebook and the FZA100 infrared service port adapter.

By combining the HART-DTM and the software 'flow' available at [www.abb.com/ABB AssetVision](http://www.abb.com/ABB AssetVision), all parameters can also be set without a HART connection.

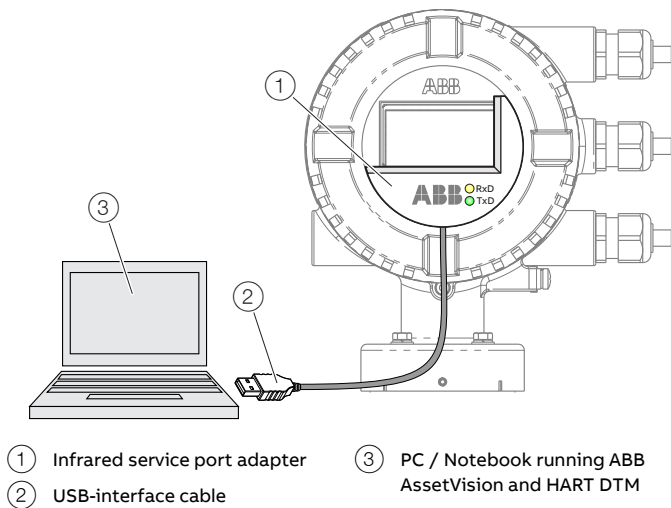


Figure 72: Infrared service port adapter on the transmitter (example)

1. Position the infrared service port adapter on the front plate of the transmitter as shown
2. Insert USB interface cable into a free USB female connector on the PC / notebook.
3. Switch on the device power supply.
4. Start ABB AssetVision and perform the parameterization of the equipment.

Detailed information on operating the software is available in the relevant operating instructions and the DTM online help.

### Parameterization via HART®

Configuration via the HART interface of the device requires a PC / Notebook and a suited HART® Modem.

All parameters can also be set via the HART protocol, using the HART DTM available at [www.abb.com/flow](http://www.abb.com/flow) and the ABB AssetVision software.

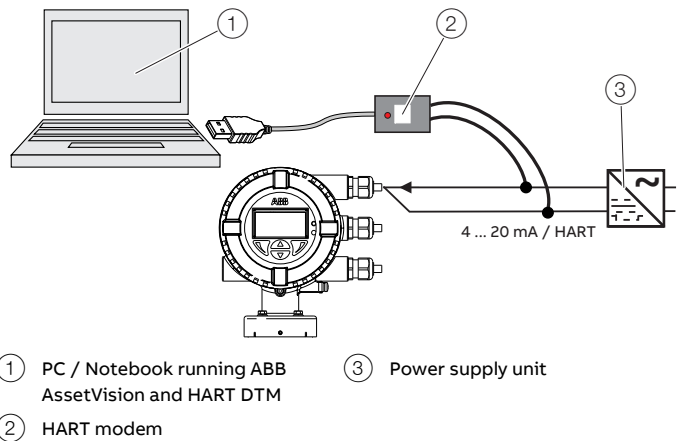


Figure 73: HART Modem on the transmitter (example)

For more detailed information on operating the software and the HART modem, please refer to the relevant operating instructions and the DTM online help.

## ... 7 Commissioning

### Factory settings

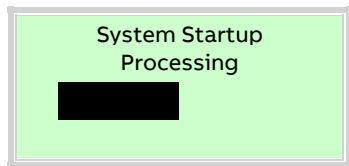
The device can be factory parameterized to customer specifications upon request. If no customer information is available, the device is delivered with factory settings.

Parameter	Factory setting
Qv Max 1	Q <sub>max</sub> DN (see Table <b>Measuring range table</b> on page 60)
Sensor Tag	None
TX Location TAG	None
Unit Volumeflow Qv	l/min
Unit Vol. Totalizer	l (Liter)
Pulses per Unit	1
Pulse Width	100 ms
Damping	1 s
Digital output 41 / 42	Impulses for Forward & Reverse
Digital output 51 / 52	Flow Direction
Current output	4-20mA FWD/REV
Curr.Out at Alarm	High Alarm, 21.8 mA
Current at flow > 20.5 mA	Off
Low Flow Cut Off	1 %
EPD Alarm	Off

### Switching on the power supply

- Switch on the power supply.

The LCD display shows the following display during the startup process:

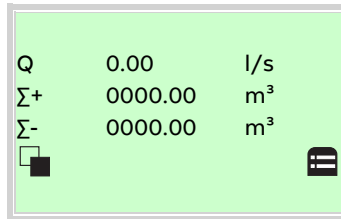


The process display is displayed after the startup process.

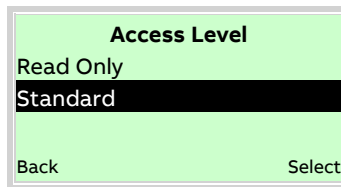
### Parameterization via the menu function Easy Setup

Settings for the most common parameters are summarized in the 'Easy Setup' menu. This menu provides the fastest way to configure the device.

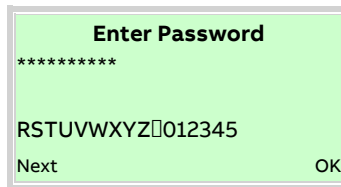
The following section describes parameterization via the 'Easy Setup' menu function.



- Switch to the configuration level with

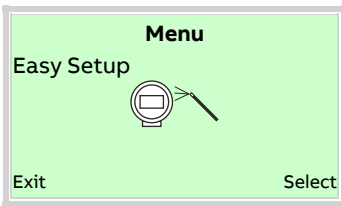


- Use / to select 'Standard'.
- Confirm the selection with .



- Use to confirm the password. A password is not available as factory default; you can continue without entering a password.

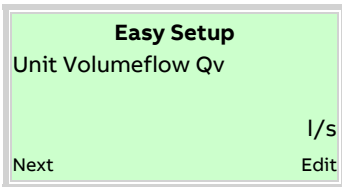




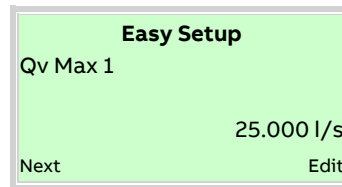
5. Use ▲ / ▼ to select 'Easy Setup'.
6. Confirm the selection with ▸.



7. Use ▸ to call up the edit mode.
8. Use ▲ / ▼ to select the desired language.
9. Confirm the selection with ▸.



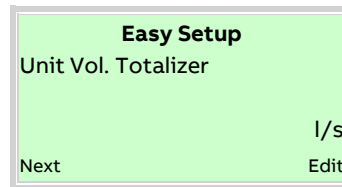
10. Use ▸ to call up the edit mode.
11. Use ▲ / ▼ to select the desired unit for the volume flow rate.
12. Confirm the selection with ▸.



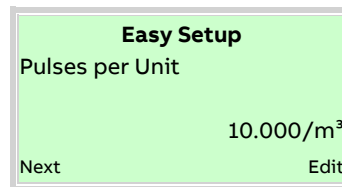
13. Use ▸ to call up the edit mode.
14. Use ▲ / ▼ to set the desired upper range value.
15. Confirm the selection with ▸.

The device is factory calibrated to the flow range end value  $Q_{\max DN}$ , unless other customer information is available. The ideal upper range values are those which correspond to a flow velocity of 2 to 3 m/s ( $0.2$  to  $0.3 \times Q_{\max DN}$ )

The adjustable upper range values are listed in the table at **Measuring range table** on page 60.



16. Use ▸ to call up the edit mode.
17. Use ▲ / ▼ to select the desired unit for the volume totalizer.
18. Confirm the selection with ▸.



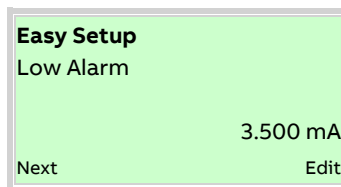
19. Use ▸ to call up the edit mode.
20. Use ▲ / ▼ to select the desired pulse per unit for the pulse output.
21. Confirm the selection with ▸.

# ... 7 Commissioning

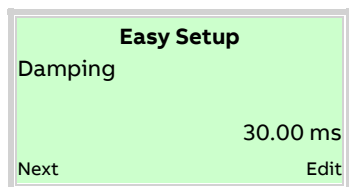
## ... Parameterization via the menu function Easy Setup



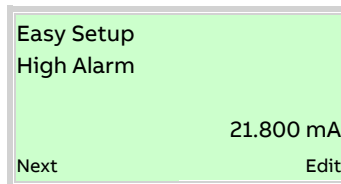
- 22. Use to call up the edit mode.
- 23. Use to select the desired pulse width for the pulse output..
- 24. Confirm the selection with .



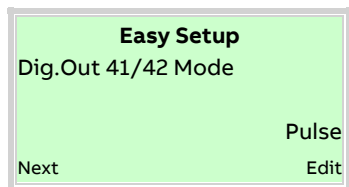
- 34. Use to call up the edit mode.
- 35. Use to set the desired current for Low Alarm.
- 36. Confirm the selection with .



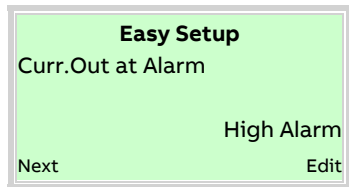
- 25. Use to call up the edit mode.
- 26. Use to set the desired damping.
- 27. Confirm the selection with .



- 37. Use to call up the edit mode.
- 38. Use to set the desired current for High Alarm.
- 39. Confirm the selection with .



- 28. Use to call up the edit mode.
- 29. Use to select the desired operating mode Off, Logic, Pulse, Frequency for the digital output.
- 30. Confirm the selection with .



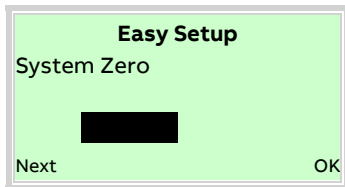
- 31. Use to call up the edit mode.
- 32. Use to select the desired alarm mode.
- 33. Confirm the selection with .


## Zero point adjustment of the flowmeter

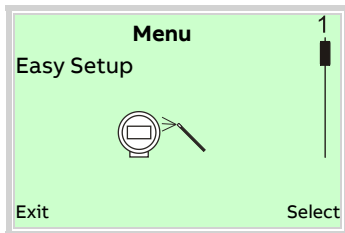
### Note

Prior to starting the zero point adjustment, make sure that:


- There is no flow through the sensor (close all valves, shut-off devices etc.)
- The sensor is completely filled with the medium to be measured



- Use  to start automatic adjustment of the zero point for the system.



Once all parameters have been set, the main menu appears again. The most important parameters are now set.

40. Use  to switch to the process display.

## ... 7 Commissioning

### Measuring range table

The upper range value can be set between  $0.02 \times Q_{\max DN}$  and  $2 \times Q_{\max DN}$ .

Nominal diameter		Min. flow range end value	$Q_{\max DN}$	Max. flow range end value
DN	in	$0.02 \times Q_{\max DN} (\approx 0.2 \text{ m/s})$	0 to $\approx 10 \text{ m/s}$	$2 \times Q_{\max DN} (\approx 20 \text{ m/s})$
1	$\frac{1}{25}$	0.012 l/min (0.0032 US gal/min)	0.6 l/min (0.16 US gal/min)	1.2 l/min (0.32 US gal/min)
1.5	$\frac{1}{16}$	0.024 l/min (0.0063 US gal/min)	1.2 l/min (0.32 US gal/min)	2.4 l/min (0.63 US gal/min)
2	$\frac{1}{12}$	0.04 l/min (0.0106 US gal/min)	2 l/min (0.53 US gal/min)	4 l/min (1.06 US gal/min)
3	$\frac{1}{10}$	0.08 l/min (0.02 US gal/min)	4 l/min (1.06 US gal/min)	8 l/min (2.11 US gal/min)
4	$\frac{5}{32}$	0.16 l/min (0.04 US gal/min)	8 l/min (2.11 US gal/min)	16 l/min (4.23 US gal/min)
6	$\frac{1}{4}$	0.4 l/min (0.11 US gal/min)	20 l/min (5.28 US gal/min)	40 l/min (10.57 US gal/min)
8	$\frac{5}{16}$	0.6 l/min (0.16 US gal/min)	30 l/min (7.93 US gal/min)	60 l/min (15.85 US gal/min)
10	$\frac{3}{8}$	0.9 l/min (0.24 US gal/min)	45 l/min (11.9 US gal/min)	90 l/min (23.78 US gal/min)
15	$\frac{1}{2}$	2 l/min (0.53 US gal/min)	100 l/min (26.4 US gal/min)	200 l/min (52.8 US gal/min)
20	$\frac{3}{4}$	3 l/min (0.79 US gal/min)	150 l/min (39.6 US gal/min)	300 l/min (79.3 US gal/min)
25	1	4 l/min (1.06 US gal/min)	200 l/min (52.8 US gal/min)	400 l/min (106 US gal/min)
32	$1\frac{1}{4}$	8 l/min (2.11 US gal/min)	400 l/min (106 US gal/min)	800 l/min (211 US gal/min)
40	$1\frac{1}{2}$	12 l/min (3.17 US gal/min)	600 l/min (159 US gal/min)	1200 l/min (317 US gal/min)
50	2	1.2 m <sup>3</sup> /h (5.28 US gal/min)	60 m <sup>3</sup> /h (264 US gal/min)	120 m <sup>3</sup> /h (528 US gal/min)
65	$2\frac{1}{2}$	2.4 m <sup>3</sup> /h (10.57 US gal/min)	120 m <sup>3</sup> /h (528 US gal/min)	240 m <sup>3</sup> /h (1057 US gal/min)
80	3	3.6 m <sup>3</sup> /h (15.9 US gal/min)	180 m <sup>3</sup> /h (793 US gal/min)	360 m <sup>3</sup> /h (1585 US gal/min)
100	4	4.8 m <sup>3</sup> /h (21.1 US gal/min)	240 m <sup>3</sup> /h (1057 US gal/min)	480 m <sup>3</sup> /h (2113 US gal/min)
125	5	8.4 m <sup>3</sup> /h (37 US gal/min)	420 m <sup>3</sup> /h (1849 US gal/min)	840 m <sup>3</sup> /h (3698 US gal/min)
150	6	12 m <sup>3</sup> /h (52.8 US gal/min)	600 m <sup>3</sup> /h (2642 US gal/min)	1200 m <sup>3</sup> /h (5283 US gal/min)
200	8	21.6 m <sup>3</sup> /h (95.1 US gal/min)	1080 m <sup>3</sup> /h (4755 US gal/min)	2160 m <sup>3</sup> /h (9510 US gal/min)
250	10	36 m <sup>3</sup> /h (159 US gal/min)	1800 m <sup>3</sup> /h (7925 US gal/min)	3600 m <sup>3</sup> /h (15850 US gal/min)
300	12	48 m <sup>3</sup> /h (211 US gal/min)	2400 m <sup>3</sup> /h (10567 US gal/min)	4800 m <sup>3</sup> /h (21134 US gal/min)
350	14	66 m <sup>3</sup> /h (291 US gal/min)	3300 m <sup>3</sup> /h (14529 US gal/min)	6600 m <sup>3</sup> /h (29059 US gal/min)
400	16	90 m <sup>3</sup> /h (396 US gal/min)	4500 m <sup>3</sup> /h (19813 US gal/min)	9000 m <sup>3</sup> /h (39626 US gal/min)
450	18	120 m <sup>3</sup> /h (528 US gal/min)	6000 m <sup>3</sup> /h (26417 US gal/min)	12000 m <sup>3</sup> /h (52834 US gal/min)
500	20	132 m <sup>3</sup> /h (581 US gal/min)	6600 m <sup>3</sup> /h (29059 US gal/min)	13200 m <sup>3</sup> /h (58117 US gal/min)
600	24	192 m <sup>3</sup> /h (845 US gal/min)	9600 m <sup>3</sup> /h (42268 US gal/min)	19200 m <sup>3</sup> /h (84535 US gal/min)
700	28	264 m <sup>3</sup> /h (1162 US gal/min)	13200 m <sup>3</sup> /h (58118 US gal/min)	26400 m <sup>3</sup> /h (116236 US gal/min)
760	30	312 m <sup>3</sup> /h (1374 US gal/min)	15600 m <sup>3</sup> /h (68685 US gal/min)	31200 m <sup>3</sup> /h (137369 US gal/min)
800	32	360 m <sup>3</sup> /h (1585 US gal/min)	18000 m <sup>3</sup> /h (79252 US gal/min)	36000 m <sup>3</sup> /h (158503 US gal/min)
900	36	480 m <sup>3</sup> /h (2113 US gal/min)	24000 m <sup>3</sup> /h (105669 US gal/min)	48000 m <sup>3</sup> /h (211337 US gal/min)
1000	40	540 m <sup>3</sup> /h (2378 US gal/min)	27000 m <sup>3</sup> /h (118877 US gal/min)	54000 m <sup>3</sup> /h (237754 US gal/min)
1050	42	616 m <sup>3</sup> /h (2712 US gal/min)	30800 m <sup>3</sup> /h (135608 US gal/min)	61600 m <sup>3</sup> /h (271217 US gal/min)
1100	44	660 m <sup>3</sup> /h (3038 US gal/min)	33000 m <sup>3</sup> /h (151899 US gal/min)	66000 m <sup>3</sup> /h (290589 US gal/min)
1200	48	840 m <sup>3</sup> /h (3698 US gal/min)	42000 m <sup>3</sup> /h (184920 US gal/min)	84000 m <sup>3</sup> /h (369841 US gal/min)
1400	54	1080 m <sup>3</sup> /h (4755 US gal/min)	54000 m <sup>3</sup> /h (237755 US gal/min)	108000 m <sup>3</sup> /h (475510 US gal/min)
1500	60	1260 m <sup>3</sup> /h (5548 US gal/min)	63000 m <sup>3</sup> /h (277381 US gal/min)	126000 m <sup>3</sup> /h (554761 US gal/min)
1,600	66	1440 m <sup>3</sup> /h (6340 US gal/min)	72000 m <sup>3</sup> /h (317006 US gal/min)	144000 m <sup>3</sup> /h (634013 US gal/min)
1800	72	1800 m <sup>3</sup> /h (7925 US gal/min)	90000 m <sup>3</sup> /h (396258 US gal/min)	180000 m <sup>3</sup> /h (792516 US gal/min)
2000	80	2280 m <sup>3</sup> /h (10039 US gal/min)	114000 m <sup>3</sup> /h (501927 US gal/min)	228000 m <sup>3</sup> /h (1003853 US gal/min)

## 8 Operation

### Safety instructions

#### ⚠ CAUTION

##### Risk of burns due to hot measuring media

The device surface temperature may exceed 70 °C (158 °F), depending on the measuring medium temperature!

- Before starting work on the device, make sure that it has cooled sufficiently.

Aggressive or corrosive media may lead to the damage of wetted parts of the sensor. As a result, measuring medium under pressure can leak out.

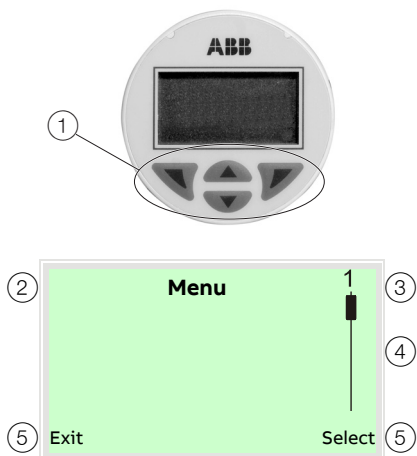
Wear to the flange gasket or process connection gaskets (e.g. pipe fitting, Tri-clamp, etc.) may caused a pressurized measuring medium to escape.

When using internal flat gaskets, they can become brittle through CIP- / SIP processes.

If pressure surges above the permissible nominal pressure of the device occur permanently during operation, this may affect the service life of the device.

If there is a chance that safe operation is no longer possible, take the device out of operation and secure it against unintended startup.

### Menu navigation







- ① Operating buttons for menu navigation
- ② Menu name display
- ③ Menu number display
- ④ Marker for indicating relative position within the menu
- ⑤ Display showing the current functions of the  and  operating buttons



Figure 74: LCD display

The LCD indicator has capacitive operating buttons. These enable you to control the device through the closed housing cover.


#### Note

The transmitter automatically calibrates the capacitive buttons on a regular basis. If the cover is opened during operation, the sensitivity of the buttons is firstly increased to enable operating errors to occur. The button sensitivity will return to normal during the next automatic calibration.


You can use the  or  operating buttons to browse through the menu or select a number or character within a parameter value.

Different functions can be assigned to the  and  operating buttons. The function ⑤ that is currently assigned to them is shown on the LCD display.

#### Control button functions

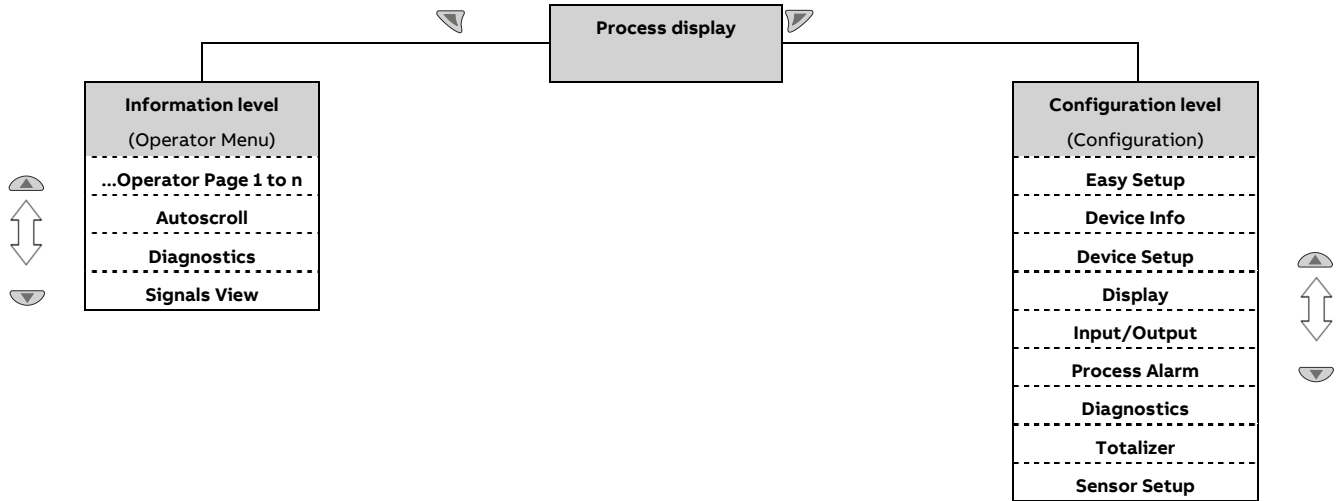
	Meaning
Exit	Exit menu
Back	Go back one submenu
Cancel	Cancel a parameter entry
Next	Select the next position for entering numerical and alphanumeric values

	Meaning
Select	Select submenu / parameter
Edit	Edit parameter
OK	Save parameter entered

## ... 8 Operation

### Menu levels



#### Process display

The process display shows the current process values.  
There are two menu levels under the process display.

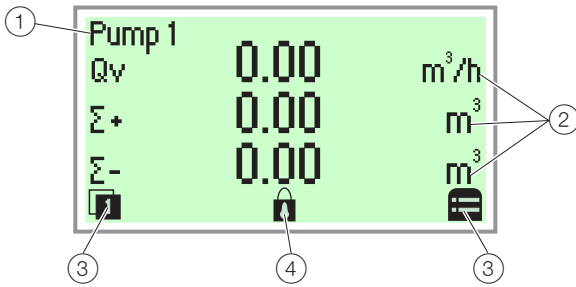
#### Information level (Operator Menu)

The information level contains the parameters and information that are relevant for the operator.  
The device configuration cannot be changed on this level.

#### Configuration level (Configuration)

The configuration level contains all the parameters required for device commissioning and configuration. The device configuration can be changed on this level.  
For additional information on the parameters see **Parameter descriptions** on page 78 ,

## Process display



- ① Measuring point tagging
- ② Current process values
- ③ 'Button function' symbol
- ④ 'Parameterization protected' symbol

Figure 75: Process display (example)

The process display appears on the LCD display when the device is powered on. It shows information about the device and current process values.

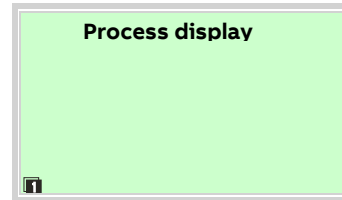
The way in which the current process values are shown can be adjusted on the configuration level.

The symbols at the bottom of the process display are used to indicate the functions of the operating buttons and , in addition to other information.

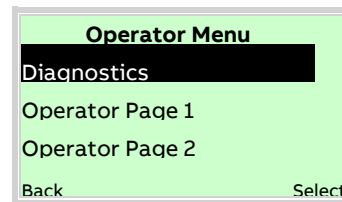
Symbol	Description
	Call up information level.
	When Autoscroll mode is activated, the  icon appears here and the operator pages are automatically displayed one after the other.
	Call up configuration level.
	The device is protected against changes in the parametrization.

## Switching to the information level

On the information level, the operator menu can be used to display diagnostic information and choose which operator pages to display.



1. Open the using Operator Menu.



2. Select the desired submenu using / .
3. Confirm the selection with .

Menu	Description
<b>... / Operator Menu</b>	
<b>Diagnostics</b>	Selection of sub-menu 'Diagnostics'; see also <b>Error messages on the LCD display</b> on page 64.
Operator Page 1 to n	Selection of operator page to be displayed.
Autoscroll	When 'Autoscroll' is activated, automatic switching of the operator pages is initiated on the process screen.
<b>Signals View</b>	Selection of submenu 'Signals View' (only for service purposes).

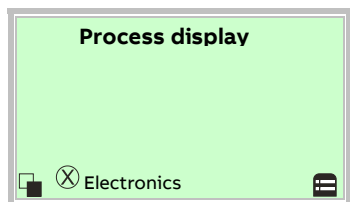
## ... 8 Operation

### ... Switching to the information level

#### Error messages on the LCD display

In the event of an error, a message consisting of a symbol and text (e.g. Electronics) appears at the bottom of the process screen.

The text displayed provides information about the area in which the error has occurred.



The error messages are divided into four groups in accordance with the NAMUR classification scheme. The group assignment can only be changed using a DTM or EDD:

Symbol	Description
	Error / failure
	Function check
	Outside of the specification
	Maintenance required

The error messages are also divided into the following areas:

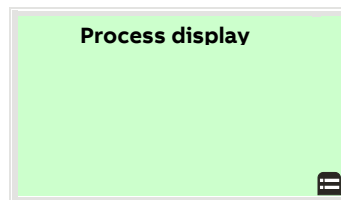
Range	Description
Operation	Error / alarm due to the current operating conditions.
Sensor	Error / alarm of the flowmeter sensor.
Electronics	Error / alarm of the electronics.
Configuration	Error / alarm due to device configuration.

#### Note

For a detailed description of errors and troubleshooting instructions, please see **Diagnosis / error messages** on page 109.

### Switching to the configuration level (parameterization)

The device parameters can be displayed and changed on the configuration level.



1. Switch to the configuration level with



2. Select the desired level of access using / .
3. Confirm the selection with .

#### Note

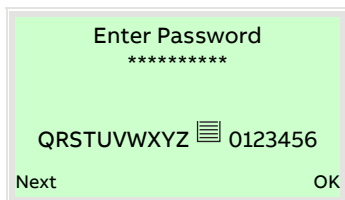
There are three levels of access. A password can be defined for level 'Standard'.

- There is no factory default password. For security reasons it is recommended to set a password.
- The password prevents access to the parameterization via the buttons on the device. For further access protection via DTM or EDD (HART®, PROFIBUS®, Modbus®) the hardware write protection switch must be set (see **Hardware settings** on page 52).

Access Level	Description
Read Only	All parameters are locked. Parameters are read only and cannot be modified.
Standard	All the parameters can be changed.
Service	Only ABB Customer Service has access to the Service menu.



Once you have logged on to the corresponding access level, you can edit or reset the password. Reset (status 'no password defined') by selecting '☰', as a password.



4. Enter the appropriate password. No password is preset in the factory settings. Users can switch to the configuration level without entering a password. The selected access level remains active for 3 minutes. Within this time period you can toggle between the process display and the configuration level without re-entering the password.
5. Use to confirm the password.

The LCD display now indicates the first menu item on the configuration level.

6. Select a menu using / .
7. Confirm the selection with .

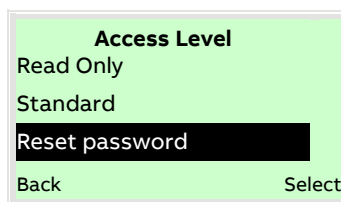
### Resetting the customer password

If the set password has been forgotten, the password can be reset and reassigned.

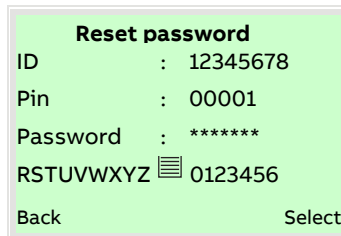
A one-time password is needed for this purpose and can be generated by ABB Service upon request.

To reset the password, the password has to be entered incorrectly once for the 'Standard' user level. When the configuration level is called up again, a new entry 'Reset password' then appears in the list of access levels.

1. Switch to the configuration level with .



2. Use / to select the 'Reset password' entry.
3. Confirm the selection with .



4. Contact ABB Service and request a one-time password, stating the 'ID' and 'Pin' shown.
5. Enter the one-time password.

### Note

The one-time password is only valid once and needs to be separately requested with each password reset.

6. Confirm the input with .

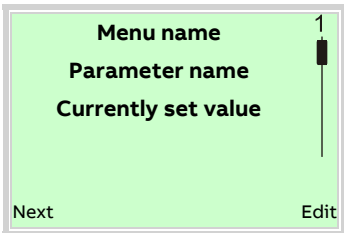
After the one-time password has been entered, the password for the 'Standard' access level is reset and can be reassigned.

## ... 8 Operation

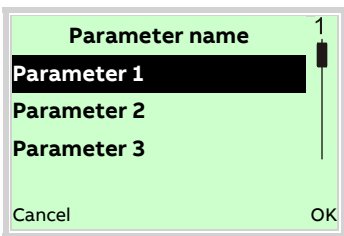
### Selecting and changing parameter

#### Entry from table

When an entry is made from a table, a value is selected from a list of parameter values.



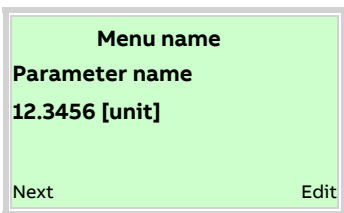
1. Select the parameters you want to set in the menu.
2. Use to call up the list of available parameter values. The parameter value that is currently set is highlighted.



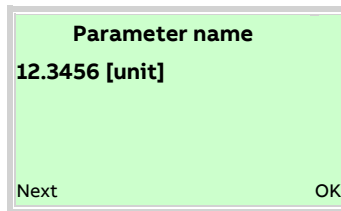
3. Select the desired value using / .
  4. Confirm the selection with .
- This concludes the procedure for selecting a parameter value.

#### Numerical entry

When a numerical entry is made, a value is set by entering the individual decimal positions.



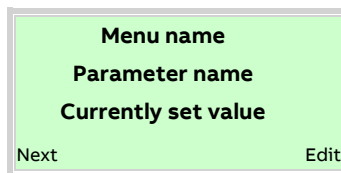
1. Select the parameters you want to set in the menu.
2. Use to call up the parameter for editing. The decimal place that is currently selected is highlighted.



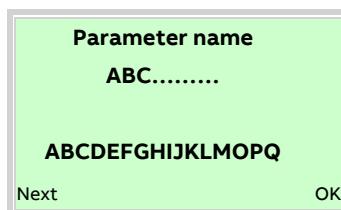
3. Use to select the decimal place to change.
  4. Use / to set the desired value.
  5. Use to select the next decimal place.
  6. If necessary select and set additional decimal places in accordance with steps 3 to 4.
  7. Use to confirm your setting.
- This concludes the procedure for changing a parameter value.

#### Alphanumeric entry

When an alphanumeric entry is made, a value is set by entering the individual decimal positions.






1. Select the parameters you want to set in the menu.
2. Use to call up the parameter for editing. The decimal place that is currently selected is highlighted.



3. Use to select the decimal place to change.
  4. Use / to set the desired value.
  5. Use to select the next decimal place.
  6. If necessary select and set additional decimal places in accordance with steps 3 to 4.
  7. Use to confirm your setting.
- This concludes the procedure for changing a parameter value.

**Exiting the setup**

For some menu items, values must be entered. If you don't want to change the parameter, you can exit the menu as described below.

1. Pressing  (Next) repeatedly moves the cursor to the right. Once the cursor reaches the end position, 'Cancel' is displayed in the lower right of the screen.
2.  terminates editing and exits the menu item. Use  to return to the start.

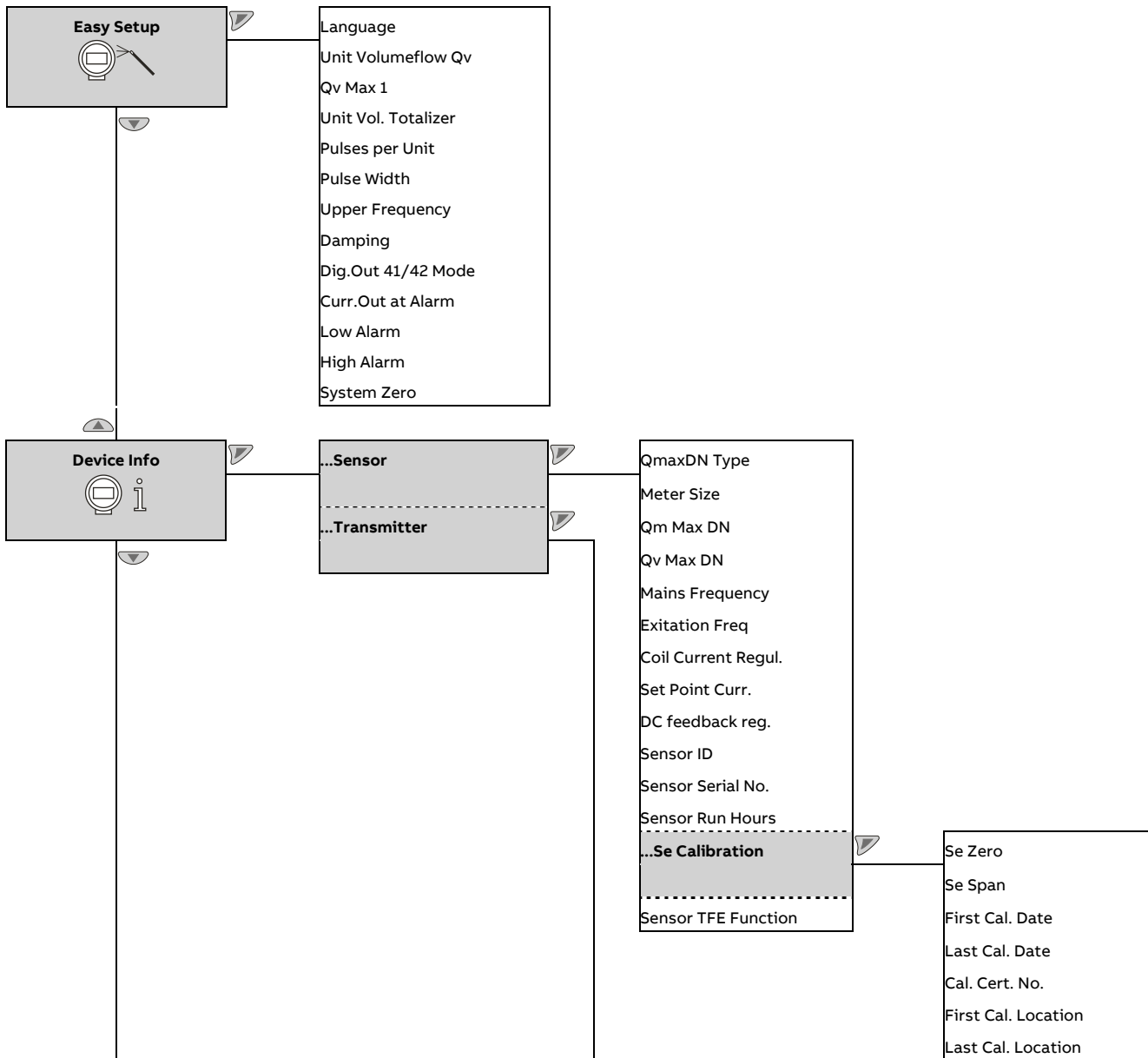
**Note**

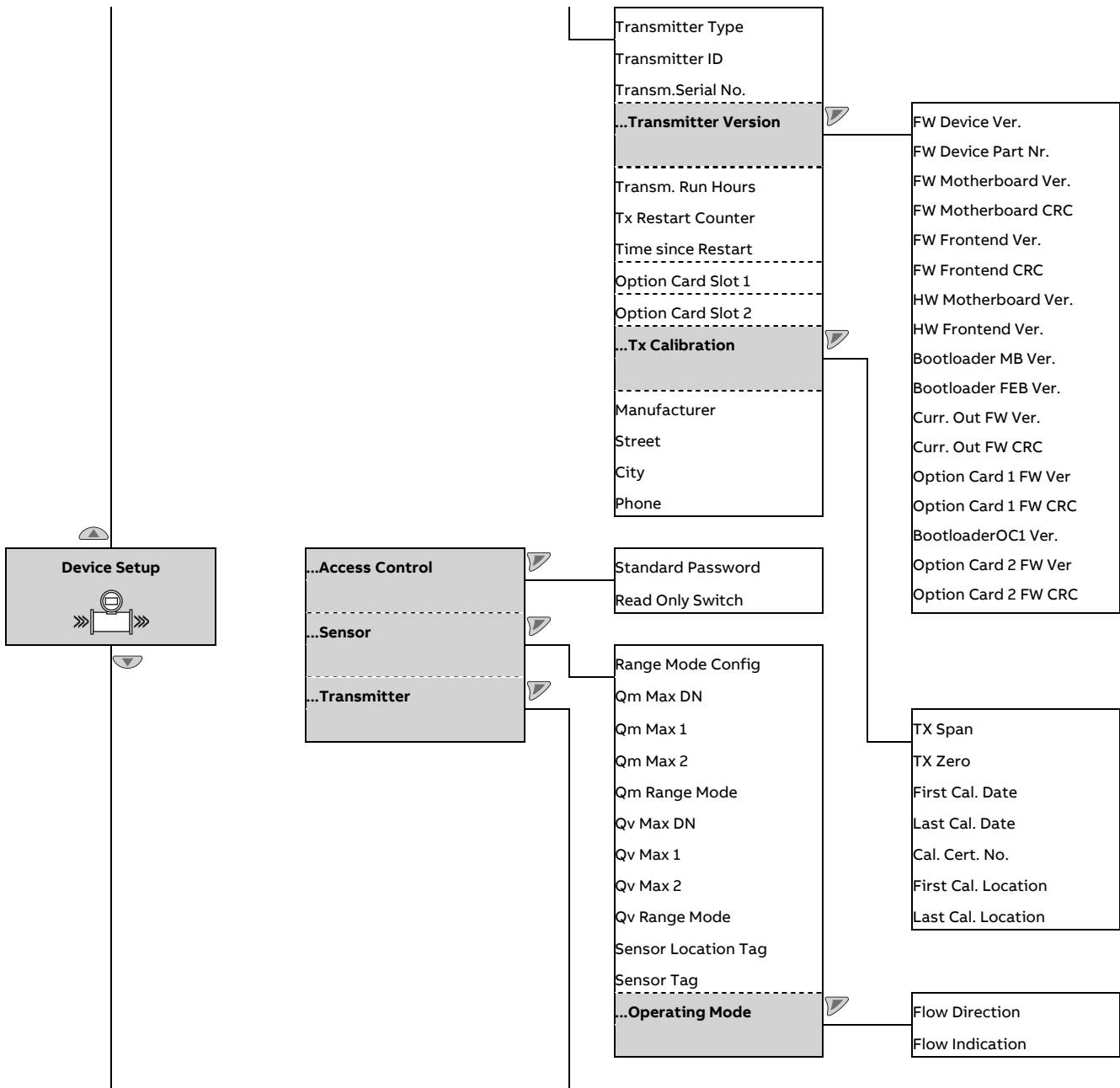
The LCD display automatically returns to the process display three minutes after the last button has been actuated.

## ... 8 Operation

### Parameter overview

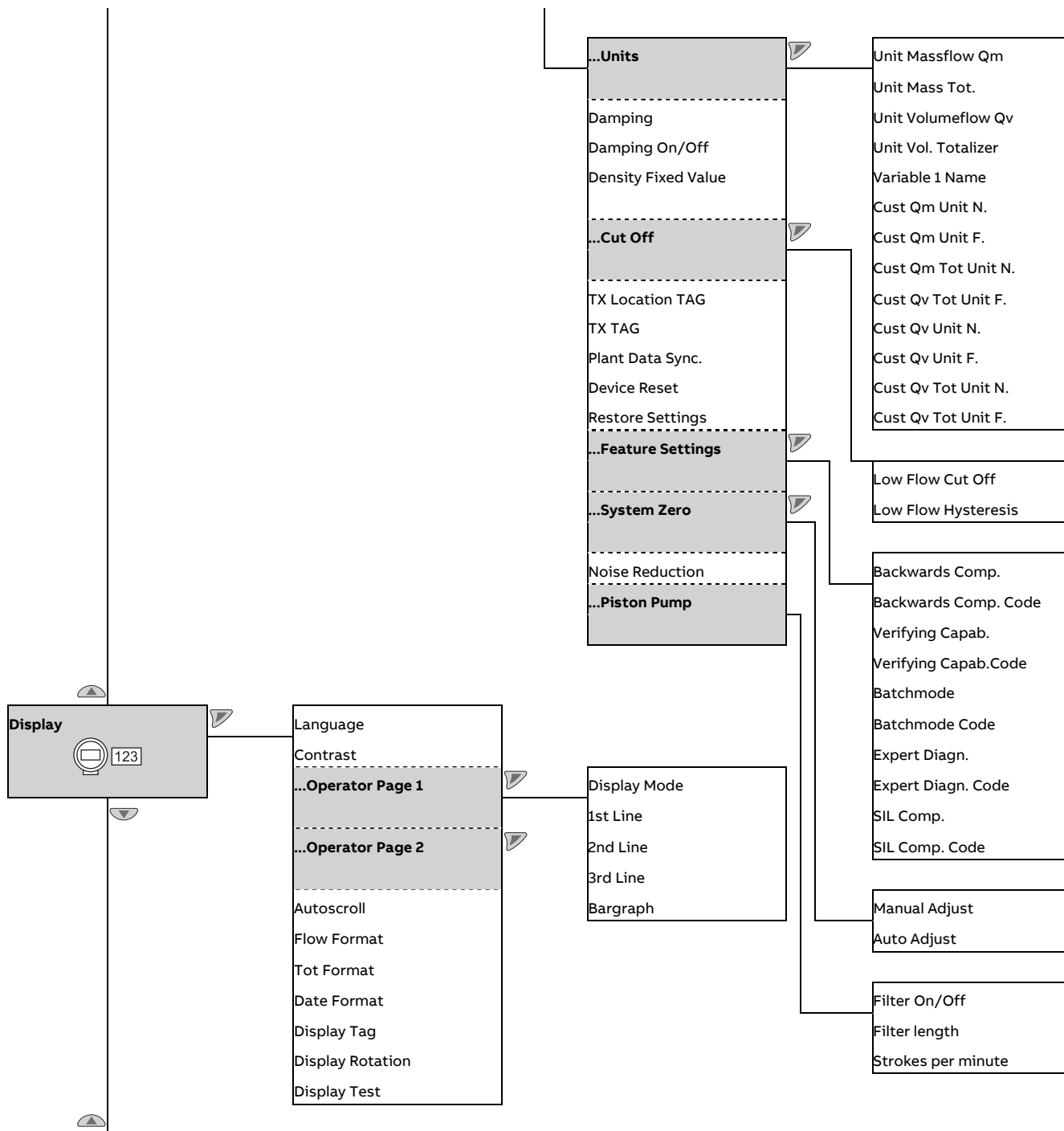
**Note**  
 This overview of parameters shows all the menus and parameters available on the device. Depending on the version and configuration of the device, not all of the menus and parameters may be visible in it.

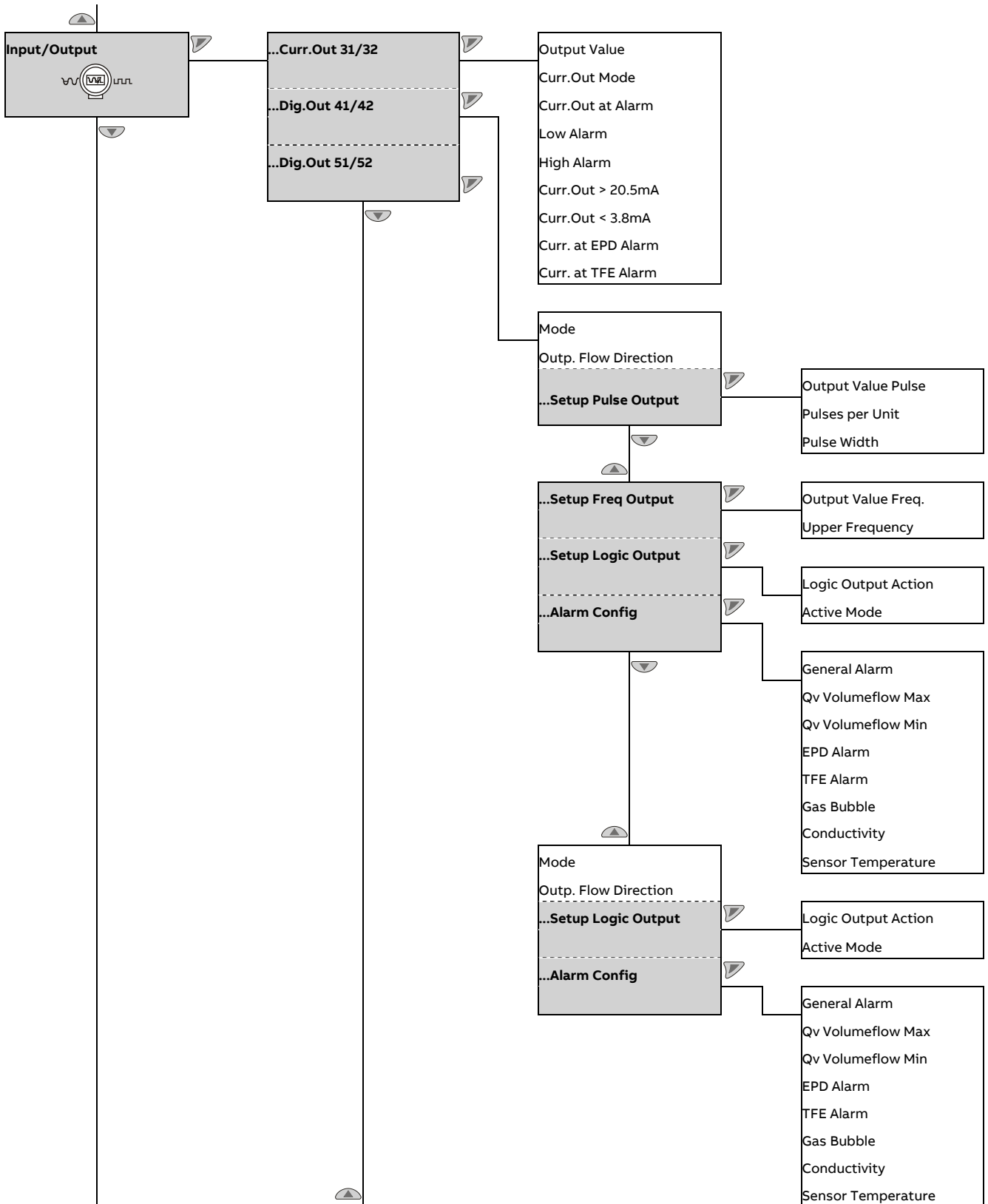




# ... 8 Operation

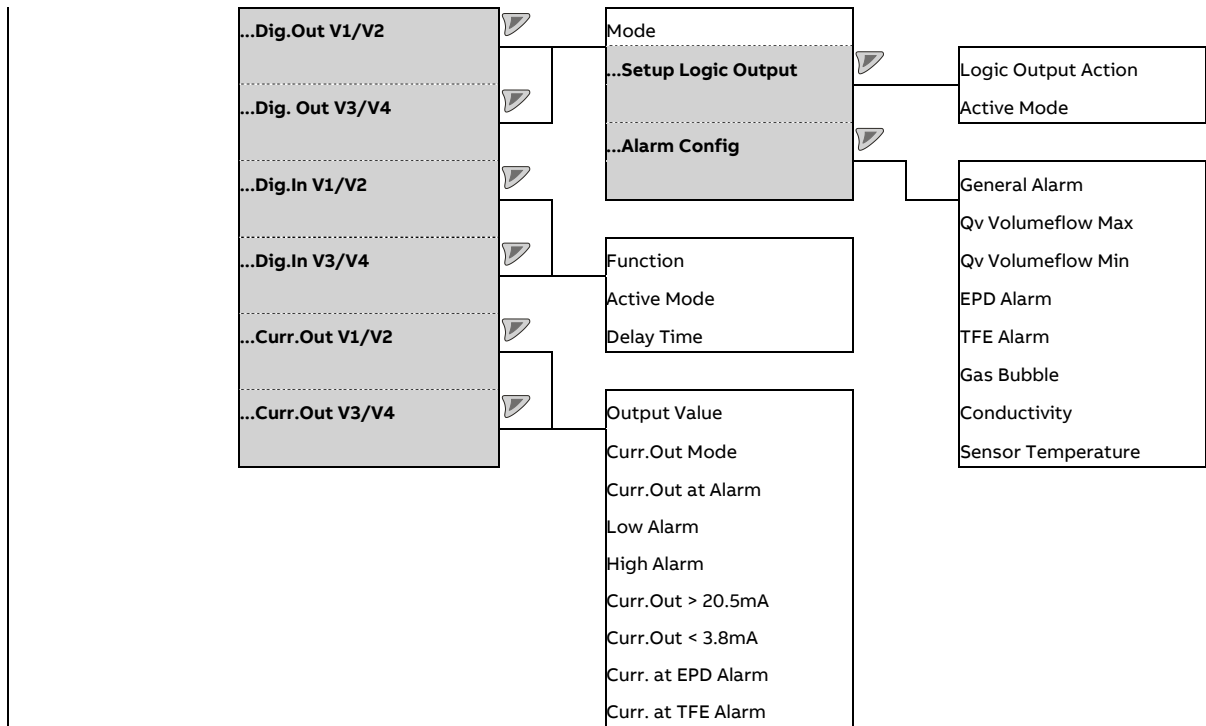
## ... Parameter overview



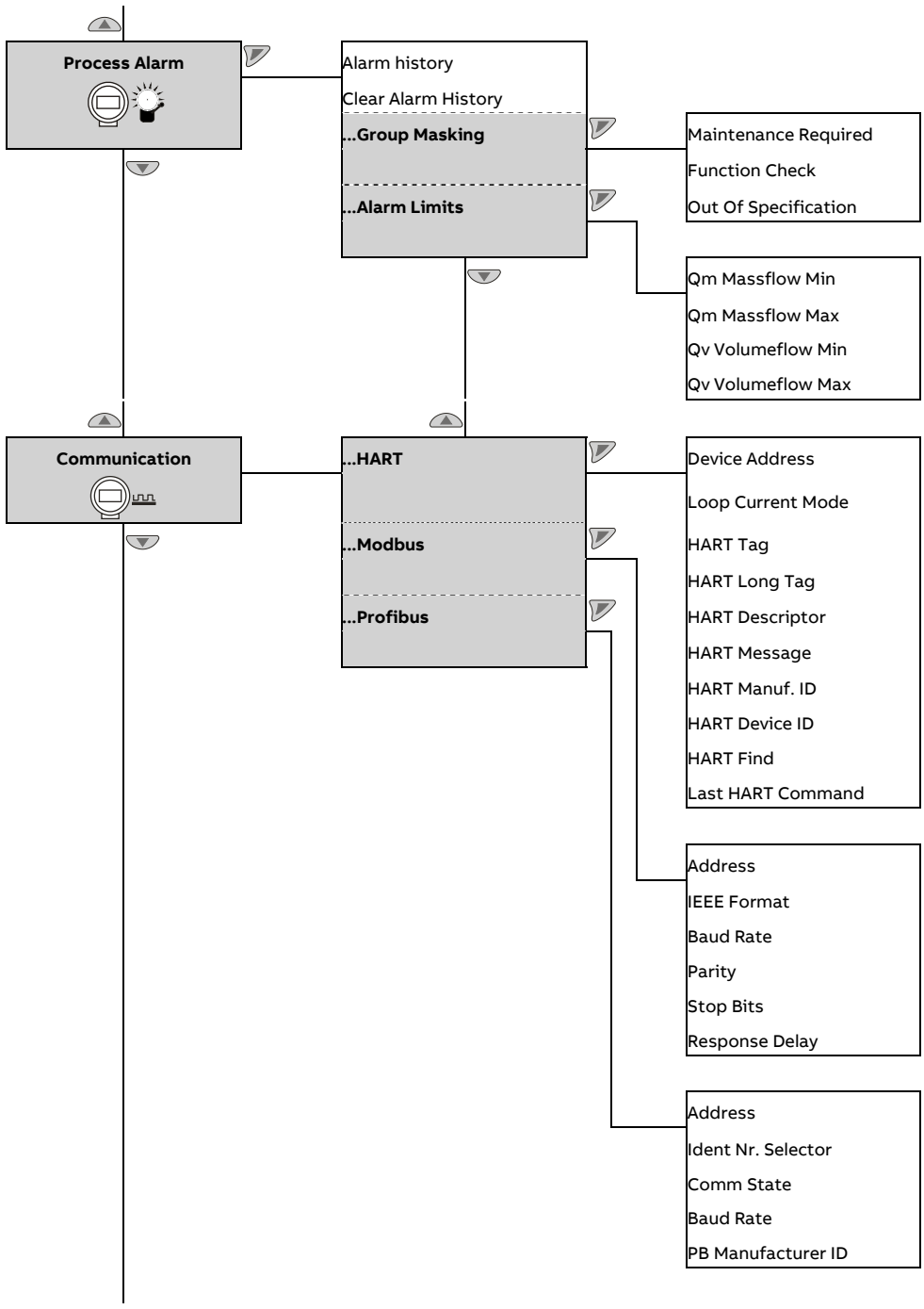


# ... 8 Operation

## ... Parameter overview

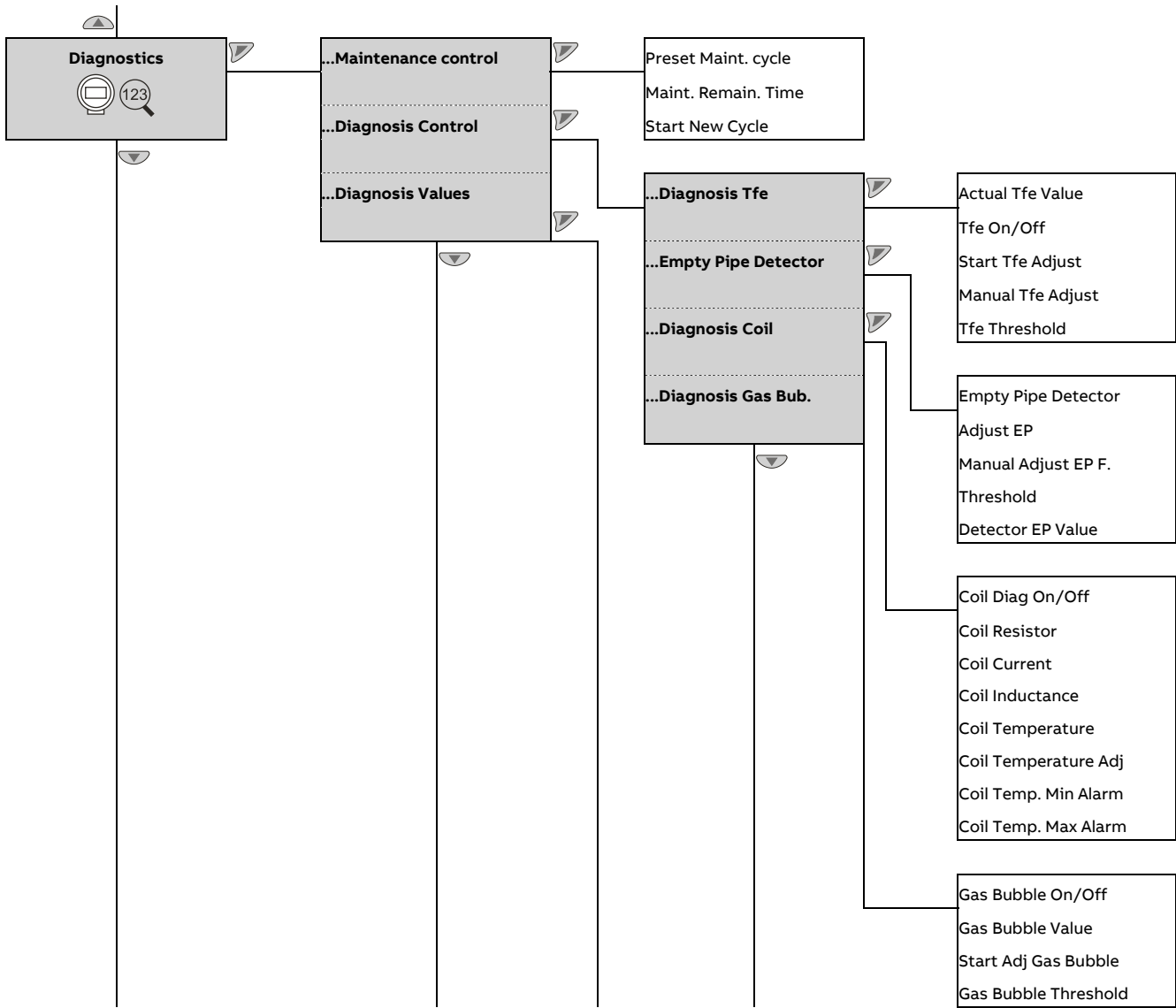


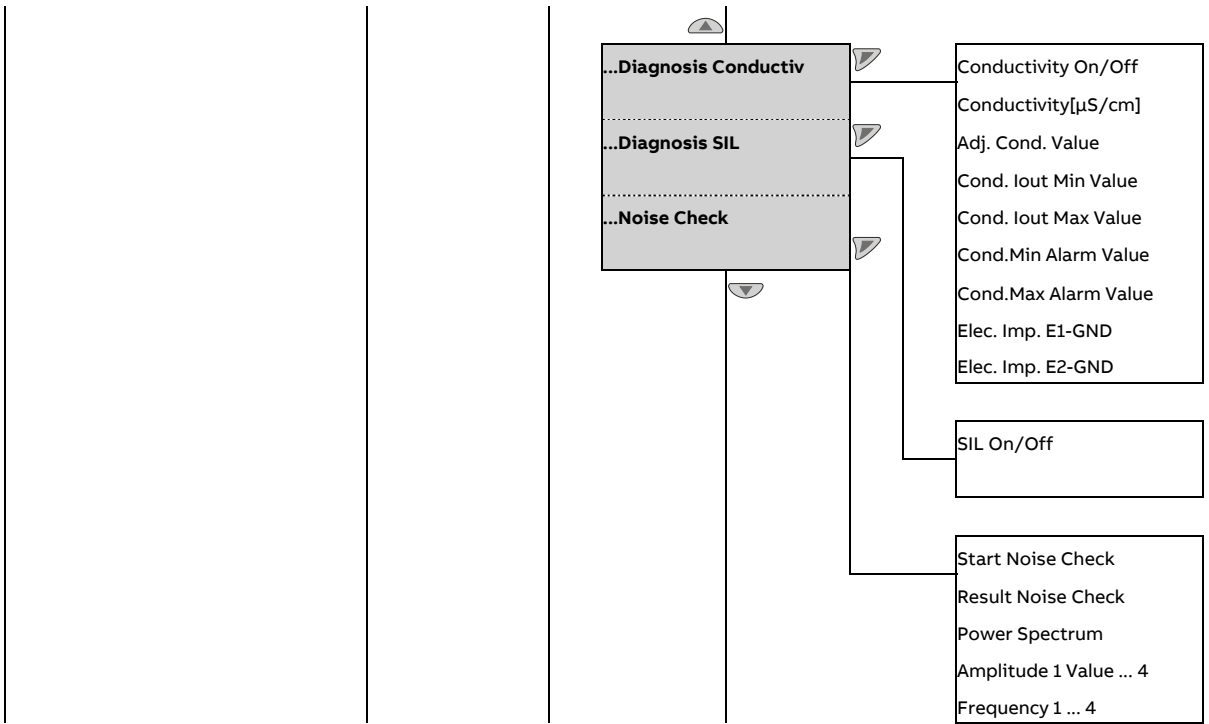




# ... 8 Operation

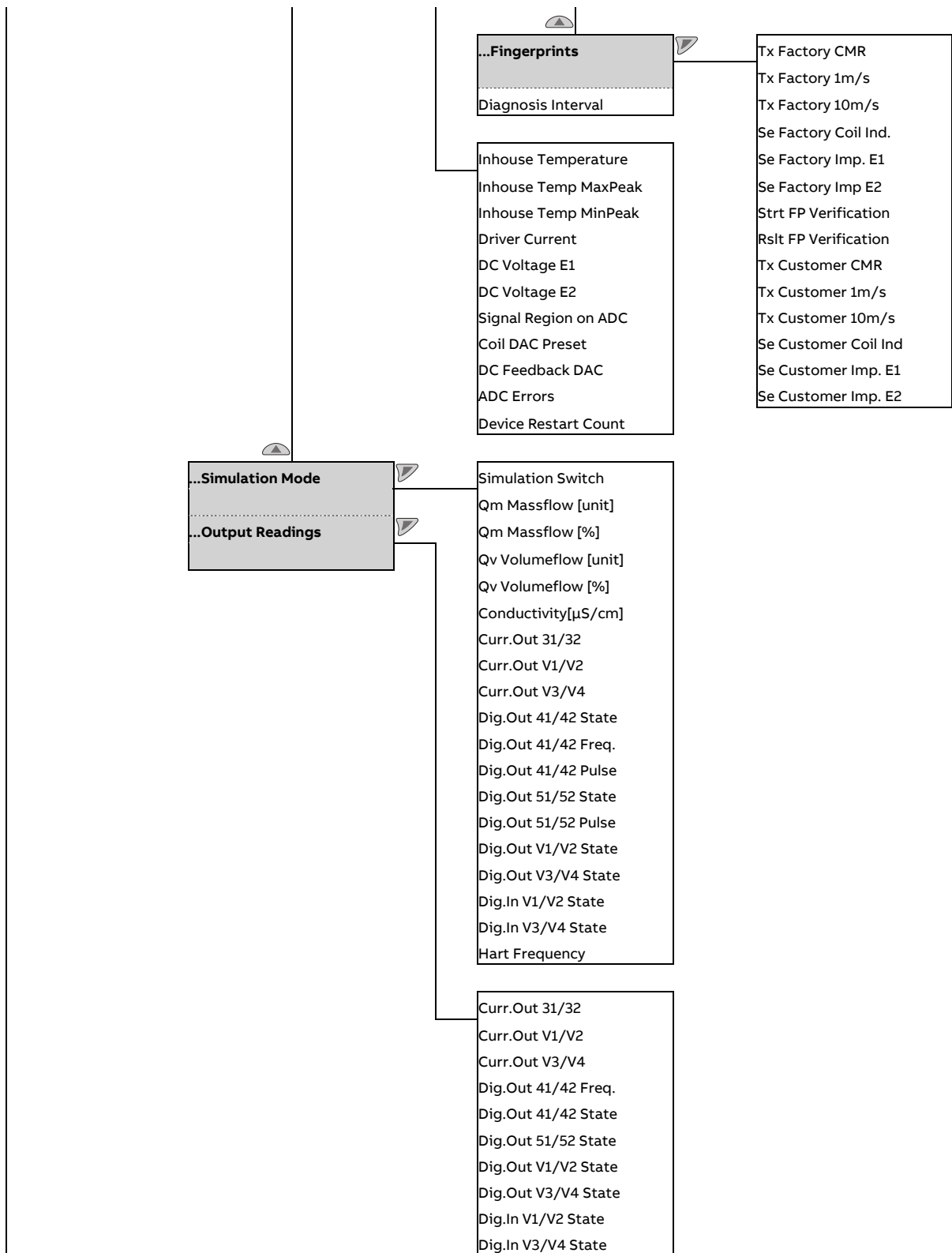
## ... Parameter overview

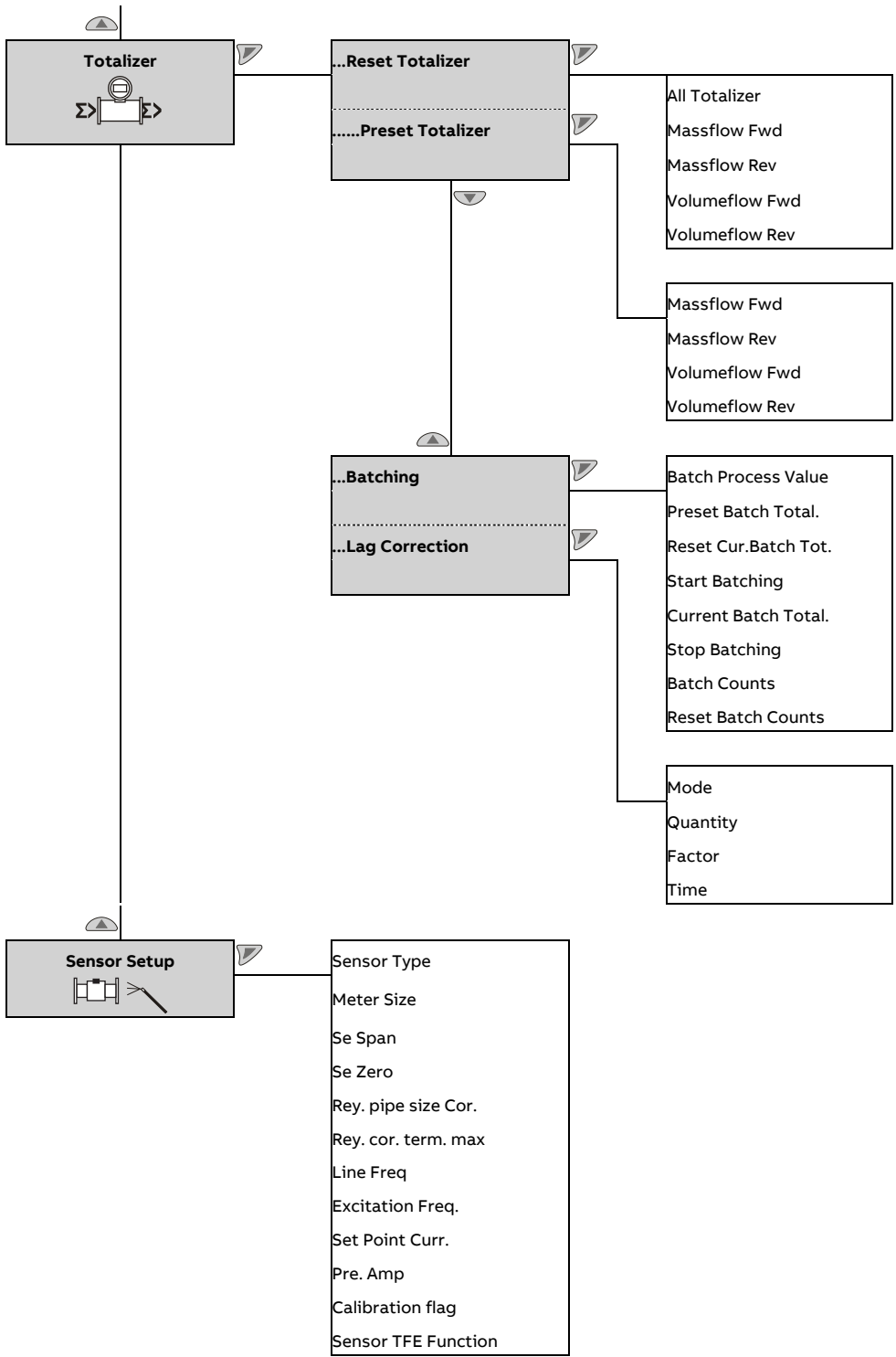




# ... 8 Operation

## ... Parameter overview





## ... 8 Operation

### Parameter descriptions

#### Available units

For certain parameters it is possible to choose among the following units.

#### Note

The 'Code' column indicates the value to which the corresponding parameter must be set, e.g. using the communications interface.

**Table 1: Units for the volume flow**

Selection	Code	Description
m <sup>3</sup> /s	13	Cubic meters per second
m <sup>3</sup> /min	14	Cubic meters per minute
m <sup>3</sup> /h	15	Cubic meters per hour
m <sup>3</sup> /d	16	Cubic meters per day
ft <sup>3</sup> /s	29	Cubic feet per second
ft <sup>3</sup> /min	30	Cubic feet per minute
ft <sup>3</sup> /h	31	Cubic feet per hour
ft <sup>3</sup> /d	32	Cubic feet per day
ml/s	46	Milliliters per second
ml/min	47	Milliliters per minute
l/s	48	Liters per second
l/min	49	Liters per minute
l/h	50	Liters per hour
l/d	51	Liters per day
hl/h	54	Hectoliters per hour
Ml/d	62	Megaliters per day
ugal/s	71	US gallons per second
ugal/min	72	US gallons per minute
ugal/h	73	US gallons per hour
ugal/d	74	US gallons per day
Mugal/d	82	Mega US gallons per day
igal/s	91	Imperial gallons per second
igal/min	92	Imperial gallons per minute
igal/h	93	Imperial gallons per hour
lgal/d	94	Imperial gallons per day
bbbl/s	112	Oil barrels per second
bbbl/min	113	Oil barrels per minute
bbbl/h	114	Oil barrels per hour
bbbl/d	115	Oil barrels per day
bls/s	130	Brew barrels per second
bls/min	131	Brew barrels per minute
bls/h	132	Brew barrels per hour
bls/d	133	Brew barrels per day
xx/yy	254	User-defined unit

**Table 2: Units for the mass flow**

Selection	Code	Description
g/s	1	Grams per second
g/min	2	Grams per minute
g/h	3	Grams per hour
g/d	4	Grams per day
kg/s	5	Kilograms per second
kg/min	6	Kilograms per minute
kg/h	7	Kilograms per hour
kg/d	8	Kilograms per day
lb/s	9	Pounds (avdp) per second
lb/min	10	Pounds (avdp) per minute
lb/h	11	Pounds (avdp) per hour
lb/d	12	Pounds (avdp) per day
t/min	30	Metric tons per minute
t/h	31	Metric tons per hour
t/d	32	Metric tons per day
xx/yy	254	User-definable unit


**Table 3: Units for the mass totalizer**

Selection	Code	Description
kg	2	Kilograms
g	3	Grams
t	5	Tons (metric)
Pounds	8	Pounds (advp)
xx/yy	254	User-definable unit

**Table 4: Units for the volume totalizer**

Selection	Code	Description
m <sup>3</sup>	4	Cubic meters
ft <sup>3</sup>	7	Cubic feet
ml	11	Milliliters
l	13	Liters
hl	14	Hectoliters
ugal	20	US gallons
igal	21	Imperial gallons
bbbl	22	Barrels (petroleum, USA)
bls	31	Barrels (beer, USA)
xx/yy	254	User-definable unit

## Menu: Easy Setup




Menu / parameter	Description
<b>Easy Setup</b>	
Language	Selection of the menu language (German, English, French, Spanish, Italian, Chinese, Portuguese).
Unit Volumeflow Qv	Selection of the unit for the volume flow (for example for the parameters $Q_{V_{Max}}$ / $Q_{V_{Max}DN}$ and for the corresponding process value). Default setting: l/min <b>Table 1: Units for the volume flow</b> on page 78
Qv Max 1	Setting the upper range value 1 (Measuring range = 0 to Qv Max 1) for the volume flow for forward flow and reverse flow . Default setting: $1 \times Q_{maxDN}$
Unit Vol. Totalizer	Selection of the unit for the volume totalizers and the pulse outputs. Default: l (liter) <b>Table 4: Units for the volume totalizer</b> on page 78
Dig.Out 41/42 Mode	Selection of the operating mode for the digital output 41 / 42. <ul style="list-style-type: none"> <li>Off: Digital output 41 / 42 deactivated.</li> <li>Logic: Digital output 41 / 42 as a binary output (e.g. as an alarm output).</li> <li>Pulse: Digital output 41 / 42 as a pulse output. In pulse mode, pulses are output per unit (e.g. 1 pulse per m<sup>3</sup>).</li> <li>Frequency: Digital output 41 / 42 as a frequency output. In frequency mode, a frequency is issued that is proportional to the flow rate. The maximum frequency can be configured in accordance with the upper range value.</li> </ul> Default setting: Pulse
Pulses per Unit	Set pulses per volume or per mass flow unit, and the pulse width for the digital output operating mode 'Pulse'. The pulse value and pulse width are interdependent and calculated dynamically (pulses per unit: 1 to 10000 / s, pulse width:
Pulse Width	0.1 to 2000 mS). Only available if a digital output has been configured as a pulse output, and the volume flow or mass flow has been selected as the process variable to be output.
Upper Frequency	Sets the upper range value frequency for the digital output operating mode 'Frequency'. The entered value (0 to 10500 Hz) corresponds to 100 % flow. Only available if a digital output has been configured as a frequency output, and the volume flow or mass flow has been selected as the process variable to be output.
Damping	Select the damping. The value set here (0.02 to 60 s) refers to $1 \tau$ (Tau). The value refers to the response time for a step flowrate change. It affects the instantaneous value in the display and at the current output. Default setting: 1 second
Curr.Out at Alarm	Selection of status of the current output in error condition. The output 'Low Alarm' or 'High Alarm' current is set in the subsequent menu.
Low Alarm	Setting the current (3.5 to 3.6 mA) for low alarm.
High Alarm	Setting the current (21 to 22.6 mA) with high alarm.
System Zero	Starts the automatic zero point balancing using  . Automatic zero point balancing takes approx. 60 seconds. <b>Note</b> Prior to starting the zero point adjustment, make sure that: <ul style="list-style-type: none"> <li>There is no flow through the sensor (close all valves, shut-off devices etc.)</li> <li>The sensor must be filled completely with measuring medium for measurement.</li> </ul>

## ... 8 Operation



### ... Parameter descriptions

#### Menu: Device Info

This menu is only used to display the device parameters. The parameters are displayed independently of the configured access level, but cannot be changed.

Menu / parameter	Description
<b>Device Info</b>	
...Sensor	Selection of submenu '...Sensor' using  .
...Transmitter	Selection of submenu '...Transmitter' using  .
<b>Device Info / ...Sensor</b>	
QmaxDN Type	For informational purposes only.
Meter Size	Nominal diameter of sensor.
Qm Max DN	The value is the maximum mass flow at a flow velocity of 10 m/s. The value is automatically set through the selected nominal diameter, multiplied by the set density.
Qv Max DN	The value provides the maximum volume flow at a flow velocity of 10 m/s. The value is set automatically via the selected nominal diameter.
Mains Frequency	Supply frequency for the power supply.
Excitation Freq	Frequency used to operate the magnetic coils of the flowmeter sensor.
Coil Current Regul.	For service information only.
Set Point Curr.	Current used to operate the magnetic coils of the flowmeter sensor.
DC feedback reg.	For service information only.
Sensor ID	ID number of the sensor.
Sensor Serial No.	Serial number of the sensor.
Sensor Run Hours	Operating hours of the sensor.
...Se Calibration	Selection of submenu '...Se Calibration' using  .
Sensor TFE Function	Shows if the total filling electrode (TFE) has been activated or deactivated.
<b>Device Info / ...Sensor / ...Se Calibration</b>	
Se Span	Calibration value in the forward flow (direction) and reverse flow (direction) of the sensor.
Se Zero	
First Cal. Date	Date of first calibration of sensor (calibration of new device).
Last Cal. Date	Date of last calibration of sensor.
Cal. Cert. No.	Identification (number) of the relevant calibration certificate.
First Cal. Location	Place of first calibration of the sensor.
Last Cal. Location	Place of last calibration of sensor.



Menu / parameter	Description
<b>Device Info / ...Transmitter</b>	
Transmitter Type	Transmitter type, e.g. B. FExx31 integral.
Transmitter ID	ID number of transmitter.
Transm.Serial No.	Serial number of transmitter.
<b>...Transmitter Version</b>	Selection of submenu '...Transmitter Version' using  .
Transm. Run Hours	Run hours of the transmitter.
Tx Restart Counter	Number of device restarts (cyclically switching the power supply off and on).
Time since Restart	Device operating hours since the last restart.
Option Card Slot 1	Display of the assignment of slot OC1 and OC2 e.g. binary output, Profibus®, digital input.
Option Card Slot 2	If the plug-in card is incorrectly detected or incompatible, a corresponding message will be issued.
<b>...Tx Calibration</b>	Selection of submenu '...Tx Calibration' using  .
Manufacturer	Name of manufacturer.
Street	Manufacturer's address (street).
City	Manufacturer's address (city).
Phone	Manufacturer's address (phone number).

---

**Device Info / ...Transmitter / ...Transmitter Version**

FW Device Ver.	Version and item number of device software package.
FW Device Part Nr.	
FW Motherboard Ver.	Version and checksum (CRC) of motherboard (MB) software.
FW Motherboard CRC	
FW Frontend Ver.	Version and checksum (CRC) of the frontend board (FEB) software.
FW Frontend CRC	
HW Motherboard Ver.	Hardware version of the motherboard (MB).
HW Frontend Ver.	Hardware version of the frontend board (FEB).
Bootloader MB Ver.	Version of motherboard (MB) bootloader.
Bootloader FEB Ver.	Version of frontend board (FEB) bootloader.
Curr. Out FW Ver.	Current output module software version and checksum (CRC).
Curr. Out FW CRC	
Option Card 1 FW Ver	Software version and checksum (CRC) of the optional plug-in card
Option Card 1 FW CRC	
BootloaderOC1 Ver.	
Option Card 2 FW Ver	
Option Card 2 FW CRC	

---




**Device Info / ...Transmitter / ...Tx Calibration**

TX Span	Calibration value of the transmitter.
TX Zero	
First Cal. Date	Date of first calibration of transmitter (calibration of new device).
Last Cal. Date	Date of last calibration of transmitter.
Cal. Cert. No.	Identification (number) of the relevant calibration certificate.
First Cal. Location	Place of first calibration of transmitter.
Last Cal. Location	Place of last calibration of transmitter.

## ... 8 Operation

### ... Parameter descriptions

#### Menu: Device Setup


Menu / parameter	Description
<b>Device Setup</b>	
...Access Control	Selection of submenu '...Access Control' using  .
...Sensor	Selection of submenu '...Sensor' using  .
...Transmitter	Selection of submenu '...Transmitter' using  .

#### Device Setup / ...Access Control

Standard Password	Entry / change of the password for the 'Standard' access level.
Read Only Switch	Indicator of the position of the write protection switch. For additional information, see <b>Hardware settings</b> on page 52.

#### Device Setup / ...Sensor

Range Mode Config	<p>Activation of the second measuring range for the mass and volume flow.</p> <p>The setting can be performed separately for the mass flow rate (Qm) and volume flow (Qv). Thus you have the possibility to quickly switch between two measuring ranges (e.g. Qm Max and Qm Max2). The switchover is performed via the parameters 'Qm Range Mode' and 'Qv Range Mode'.</p> <ul style="list-style-type: none"> <li>• Disabled: Second measuring range for mass and volume flow rate deactivated.</li> <li>• Qm and Qv: Second measuring range for mass and volume flow rate activated.</li> <li>• Qm only: Second measuring range for mass flow activated.</li> <li>• Qv only: Second measuring range for volume flow activated.</li> </ul> <p>Default setting: Disabled</p>
Qm Max DN	<p>The value is the lower mass flow at a flow velocity of 10 m/s.</p> <p>The value is automatically set through the selected nominal diameter, multiplied by the set density.</p>
Qm Max 1	<p>Setting the upper range value 1 (Measuring range = 0 to Qm Max 1) for the mass flow for forward flow and reverse flow .</p> <p>Default setting: <math>1 \times Q_{\max DN}</math></p>
Qm Max 2	<p>Setting the upper range value 2 (Measuring range = 0 to Qm Max 2) for the mass flow for forward flow and reverse flow .</p> <p>This parameter is only available if the value 'Max2 active' has been selected for the parameter 'Qm Range Mode'.</p>
Qm Range Mode	<p>Manual switchover between the measuring ranges (Max1 active / Max2 active) for the mass flow measurement. This parameter is only available if the value Qm and Qv or Range Mode Config has been selected for the parameter 'Qm only'.</p>

Menu / parameter	Description
<b>Device Setup / ...Sensor</b>	
Qv Max DN	The value provides the lower volume flow at a flow velocity of 10 m/s. The value is set automatically via the selected nominal diameter.
Qv Max 1	Setting the upper range value 1 (Measuring range = 0 to Qv Max 1) for the volume flow for forward flow and reverse flow . Default setting: $1 \times Q_{\max DN}$
Qv Max 2	Setting the upper range value 2 (Measuring range = 0 to Qv Max 2) for the volume flow for forward flow and reverse flow . This parameter is only available if the value 'Max2 active' has been selected for the parameter 'Qv Range Mode'. Default setting: $1 \times Q_{\max DN}$
Qv Range Mode	Manual switchover between the measuring ranges (Max1 active / Max2 active) for the volume flow measurement. This parameter is only available if the value Qm and Qv or Range Mode Config has been selected for the parameter 'Qv only'
Sensor Location Tag	Entry of the measuring point tag for the sensor. Alphanumeric, max. 20 characters
Sensor Tag	Enter the tag number of the sensor. Alphanumeric, max. 20 characters.
<b>...Operating Mode</b>	Selection of submenu '...Operating Mode' using  .

---

**Device Setup / ...Sensor / ...Operating Mode**






---

Flow Direction	Set the measuring direction for the sensor. As delivered, the device measures and counts in both flow directions. <ul style="list-style-type: none"> <li>• Forward &amp; Reverse: The device measures in both flow directions.</li> <li>• Forward only: The device measures only forward flow direction.</li> <li>• Reverse only: The device measures only reverse flow direction.</li> </ul> Default setting: Forward & Reverse
Flow Indication	Inversion of the displayed flow direction. Default setting: Normal

---

## ... 8 Operation


### ... Parameter descriptions

Menu / parameter	Description
<b>Device Setup / ...Transmitter</b>	
<b>...Units</b>	Selection of submenu '...Units' using  .
Damping	Select the damping. The value set here (0.02 to 60 s) refers to 1 $\tau$ (Tau). The value refers to the response time for a step flowrate change. It affects the instantaneous value in the display and at the current output. Default setting: 1 second
Damping On/Off	Switches the damping on or off.
Density Fixed Value	If the flow count and display are performed using mass flow units, a fixed density value must be included in the calculations. To convert to mass flow, a density value in the range of 0.01 to 5.0 g/cm <sup>3</sup> can be set.
<b>...Cut Off</b>	Selection of submenu '...Cut Off' using  .
TX Location TAG	Entry of the measuring point tag for the transmitter. Alphanumeric, max. 20 characters
TX TAG	Enter the tag number for the transmitter. Alphanumeric, max. 20 characters
Plant Data Sync.	Tx -> Sens The settings are redundantly saved in two data modules. One of them is the SensorMemory, the other is the transmitter motherboard (backplane). By selecting 'Tx -> Sens', location-specific settings such as measuring range or damping are replicated from the transmitter motherboard (backplane) to the SensorMemory. Sens -> Tx By selecting 'Sens -> Tx', location-specific settings such as measuring range or damping are replicated from the SensorMemory to the transmitter motherboard (backplane).
Device Reset	For service purposes only. Restart the device without having to switch the power supply on and off.
Restore Factory Def.	All user-accessible parameters will be reset to the factory default settings.
<b>...Feature Settings</b>	Selection of submenu '...Feature Settings' using  .
<b>...System Zero</b>	Selection of submenu '...System Zero' using  .
Noise Reduction	Activates the filter technology for noise reduction. Filter: Off, Filter 15, 30, 60 (15: lower filtering, 60: strong filtering) Filter setting affects 20 mA signal (damping). Default setting: Off
<b>...Piston Pump</b>	Enables improved measurement performance, especially in piston pump applications. <ul style="list-style-type: none"> <li>• Filter On/Off: On/Off</li> <li>• Filter length: 3 to 30 sec</li> <li>• Strokes per minute: Indicates the piston pump strokes per minute</li> </ul>





Menu / parameter	Description
<b>Device Setup / ...Transmitter / ...Units</b>	
Unit Massflow Qm	<p>Selection of unit for mass flow.</p> <p>Refer to <b>Table 2: Units for the mass flow</b> on page 78.</p> <p>The selection applies to the display of the current mass flow, and for the parameters related to mass flow such as QmMax and Qm<sub>Max</sub>DN.</p>
Unit Mass Tot.	<p>Select the unit for the mass totalizer.</p> <p>Refer to <b>Table 3: Units for the mass totalizer</b> on page 78.</p>
Unit Volumeflow Qv	<p>Selection of unit for volume flow.</p> <p>Refer to <b>Table 1: Units for the volume flow</b> on page 78.</p> <p>The selection applies to the display of the current volume flow and for the parameters related to volume flow such as QvMax and Qv<sub>Max</sub>DN.</p>
Unit Vol. Totalizer	<p>Selection of unit for the volume totalizers.</p> <p>Refer to <b>Table 4: Units for the volume totalizer</b> on page 78.</p>
Variable 1 Name	<p>Selection of the unit for external process variables.</p> <p>The transmitter can show two external process variables in the display. The process variables can be transferred from the fieldbus master to the transmitter via the HART, Modbus or PROFIBUS DP protocol. You can configure the display through the 'Display' menu.</p>
Cust Qm Unit N.	Enter the name for the user-defined mass flow unit.
Cust Qm Unit F.	Enter the factor for a user-defined mass flow unit. The factor relates to the flow per liter.
Cust Qm Tot Unit N.	Enter the name of the user-defined totalizer unit for mass flow.
Cust Qm Tot Unit F.	Enter the factor for a user-defined mass flow unit. The factor relates to the flow per liter.
Cust Qv Unit N.	Enter the name for the user-defined volume flow unit.
Cust Qv Unit F.	Enter the factor for a user-defined volume flow unit. The factor relates to the flow per liter.
Cust Qv Unit N.	Enter the name for the user-defined volume flow unit.
Cust Qv Tot Unit F.	<p>Enter the factor for a user-defined volume flow unit.</p> <p>The factor relates to the flow per liter.</p>
<b>Device Setup / ...Transmitter / ...Cut Off</b>	
Low Flow Cut Off	<p>Set the switching threshold (0 to 10 %) for the low flow cut-off.</p> <p>If the flow rate is below the switching threshold, there is no flow measurement. The setting of 0 % deactivates the low flow cut-off.</p> <p>Default setting: 1.0 %</p>
Low Flow Hysteresis	<p>Set the hysteresis (0 to 50 %) for the low flow cut-off as it is defined in the parameter 'Low Flow Cut Off'.</p> <p>Default setting: 20 %</p>

## ... 8 Operation

### ... Parameter descriptions

Menu / parameter	Description
<b>Device Setup / ...Transmitter / ...Feature Settings</b>	
Backwards Comp.	Indicator as to whether the backward compatibility function has been activated.
Backwards Comp. Code	Set the device-specific code for activating the function. To use this function subsequently, contact the ABB service team or sales organization. After entering the code, restart the device (e.g. using the parameter 'Device Reset' or by briefly switching off the power supply).
Verifying Capab.	Indicator as to whether the verification function has been activated.
Verifying Capab.Code	Set the device-specific code for activating the verification function. To use this function subsequently, contact the ABB service team or sales organization. After entering the code, restart the device (e.g. using the parameter 'Device Reset' or by briefly switching off the power supply).
Batchmode	Indicator as to whether the filling function has been activated.
Batchmode Code	Set the device-specific code to activate the filling function. To use this function subsequently, contact the ABB service team or sales organization. After entering the code, restart the device (e.g. using the parameter 'Device Reset' or by briefly switching off the power supply).
Expert Diagn.	Indicator as to whether advanced diagnosis functions such as gas bubble or conductivity have been activated.
Expert Diagn. Code	Set the device-specific code for activating the advanced diagnosis function. To use this function subsequently, contact the ABB service team or sales organization. After entering the code, restart the device (e.g. using the parameter 'Device Reset' or by briefly switching off the power supply).
SIL Comp.	Indicator as to whether the SIL function is active.
SIL Comp. Code	Set the device-specific code for activating the SIL function. To use this function subsequently, contact the ABB service team or sales organization. After entering the code, restart the device (e.g. using the parameter 'Device Reset' or by briefly switching off the power supply).
<b>Device Setup / ...System Zero</b>	
Manual Adjust	Sets the value for zero point adjustment in % of $Q_{maxDN}$ Manual adjustment: -50 to +50 mm/s
Auto Adjust	Starts the automatic zero point balancing using  . Automatic zero point balancing takes approx. 60 seconds.
	<b>Note</b> Prior to starting the zero point adjustment, make sure that: <ul style="list-style-type: none"> <li>• There is no flow through the sensor (close all valves, shut-off devices etc.)</li> <li>• The sensor must be filled completely with measuring medium for measurement.</li> </ul>

**Menu: Display**

Menu / parameter	Description
<b>Display</b>	
Language	Selection of menu language. (German, English, French, Spanish, Italian, Chinese, Portuguese).
Contrast	Contrast setting for the LCD display.
<b>...Operator Page 1</b>	Selection of submenu '...Operator Page 1' using  .
<b>...Operator Page 2</b>	Selection of submenu '...Operator Page 2' using  .
Autoscroll	If Autoscroll is enabled, the 'Autoscroll' function can also be activated on the information level of the operator menu. In this function, operator pages are automatically displayed in succession on the process screen, changing every 10 seconds. Manual scrolling through pre-configured operator pages as described above is no longer necessary. When Auto scroll mode is enabled, the icon  is displayed in the lower left corner of the screen. Default setting: Disabled.
Flow Format	Selection of number of decimal places (maximum 6) used to display the corresponding process variables.
Tot Format	Default setting: X.XX.
Date Format	Set the display format for the date and time.
Display Tag	Configuration of the top line in the display. Off, Sensor Location Tag, Bus Address, HART Address
Display Rotation	The display on the display can be rotated through software by 180°.
Display Test	Start the test of the LCD display with  . The display test lasts approx. 10 seconds. Various patterns are shown on the LCD display to check the display.









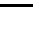
**Display / ...Operator Page 1 (n)**

Display Mode	Configure each operator page. The following versions can be selected: Off, Graph View, 1x4, 1x6A, 1x6A Bar, 1x9, 1x9 Bar, 2x9, 2x9 Bar, 3x9. Selecting 'Off' deactivates the corresponding operator page.
1st Line	Selection of process variable displayed in the respective row.
2nd Line	<ul style="list-style-type: none"> <li>• Qv [unit]: Volume flow rate in the selected unit.</li> <li>• Qm [unit]: Mass flow in the selected unit.</li> </ul>
3rd Line	<ul style="list-style-type: none"> <li>• Qv [%]: Volume flow in %</li> <li>• Qm [%]: Mass flow in %</li> <li>• <math>\Sigma V+</math>: Volume totalizer forward</li> <li>• <math>\Sigma M+</math>: Mass totalizer forward</li> <li>• <math>\Sigma V-</math>: Volume totalizer reverse</li> <li>• <math>\Sigma M-</math>: Mass totalizer reverse</li> <li>• <math>\Sigma Vn</math>: Volume totalizer net</li> <li>• <math>\Sigma Mn</math>: Mass totalizer net</li> <li>• CO1 Current: Output current in mA</li> <li>• scaled velocity: Flow velocity</li> </ul>
Bargraph	Selection of process variable displayed as a bar graph. <ul style="list-style-type: none"> <li>• Qm [%]: Mass flow in %</li> <li>• Qv [%]: Volume flow in %</li> <li>• CO1 Current: Output current in mA</li> </ul>





## ... 8 Operation

### ... Parameter descriptions

#### Menu: Input/Output

Menu / parameter	Description
<b>Input/Output</b>	
...Curr.Out 31/32	Selection of submenu '...Curr.Out 31/32' using  .
...Curr.Out V1/V2	Selection of submenu '...Curr.Out V1/V2' using  .
...Curr.Out V3/V4	Selection of submenu '...Curr.Out V3/V4' using  .
...Dig.Out 41/42	Selection of submenu '...Dig.Out 41/42' using  .
...Dig.Out 51/52	Selection of submenu '...Dig.Out 51/52' using  .
...Dig.Out V1/V2	Selection of submenu '...Dig.Out V1/V2' using  .
...Dig. Out V3/V4	Selection of submenu '...Dig. Out V3/V4' using  .
...Dig.In V1/V2	Selection of submenu '...Dig.In V1/V2' using  .
...Dig.In V3/V4	Selection of submenu '...Dig.In V3/V4' using  .
<hr/>	
Input/Output / ...Curr.Out 31/32	
Input/Output / ...Curr.Out V1/V2	
Input/Output / ...Curr.Out V3/V4	
Output Value	<p>Selection of process variable issued at the corresponding current output.</p> <ul style="list-style-type: none"> <li>• Qm [%]: The current output provides the mass flow in percent.</li> <li>• Qv [%]: The current output provides the volume flow in percent.</li> <li>• Conductivity[μS/cm]: The current output provides the conductivity in μS/cm..</li> </ul> <p>The current outputs V1 / V2 and V3 / V4 are only available if the corresponding plug-in cards are available!</p>
Curr.Out Mode	<p>Select the operating mode for the current output.</p> <ul style="list-style-type: none"> <li>• '4-20mA FWD' Output flow rate in forward flow:                             <ul style="list-style-type: none"> <li>4 mA = no flow</li> <li>20 mA = maximum flow</li> </ul> </li> <li>• '4-12-20 mA': Output flow rate in forward and reverse flow:                             <ul style="list-style-type: none"> <li>4 mA = maximum flow in reverse flow</li> <li>12 mA = no flow</li> <li>20 mA = maximum flow in forward flow</li> </ul> </li> <li>• '4-20mA FWD/REV': Output flow rate in forward and reverse flow without distinction of flow direction:                             <ul style="list-style-type: none"> <li>4 mA = no flow</li> <li>20 mA = maximum flow</li> </ul> </li> </ul> <p>Default setting: 4-20mA FWD/REV.</p>
Curr.Out at Alarm	<p>Selection of status of the current output in error condition.</p> <p>The output 'low' or 'high' current is set in the subsequent menu.</p> <p>Default setting: High Alarm.</p>
Low Alarm	Sets the current for Low Alarm.
High Alarm	Sets the current for High Alarm.
Curr.Out > 20.5mA	<p>Behavior of current output if 20.5 mA is exceeded.</p> <ul style="list-style-type: none"> <li>• Hold Last Value: The last measured value is retained and issued.</li> <li>• High Alarm: The high alarm current is issued.</li> <li>• Low Alarm: The low alarm current is issued.</li> </ul> <p>Default setting: Hold Last Value.</p>





Menu / parameter	Description
<b>Input/Output / ...Curr.Out 31/32</b>	
<b>Input/Output / ...Curr.Out V1/V2</b>	
<b>Input/Output / ...Curr.Out V3/V4</b>	
Curr.Out < 3.8mA	<p>Behavior of the current output if 3.8 mA is not reached.</p> <ul style="list-style-type: none"> <li>• Hold Last Value: The last measured value is retained and issued.</li> <li>• High Alarm: The high alarm current is issued.</li> <li>• Low Alarm: The low alarm current is issued.</li> </ul> <p>Parameter is not available if the parameter 'Curr.Out Mode' 4-20mA FWD/REV has been selected.</p> <p>Default setting: Low Alarm.</p>
Curr. at EPD Alarm	<p>Behavior of the current output with an empty meter tube.</p> <ul style="list-style-type: none"> <li>• Off: no effect on current output.</li> <li>• Q = 0%: Current output is set to 4 mA, 'no flow'.</li> <li>• High Alarm: The high alarm current is issued.</li> <li>• Low Alarm: The low alarm current is issued.</li> </ul> <p>Default setting: Off.</p>
Curr. at TFE Alarm	<p>TFE alarm (complete filling alarm) is issued when the meter tube is partially filled.</p> <ul style="list-style-type: none"> <li>• Off: no effect on current output.</li> <li>• Q = 0%: Current output is set to 4 mA, 'no flow'.</li> <li>• High Alarm: The high alarm current is issued.</li> <li>• Low Alarm: The low alarm current is issued.</li> </ul> <p>Default setting: Off.</p>
<hr/>	
<b>Input/Output / ...Dig.Out 41/42</b>	
Mode	<p>Selection of the operating mode for the digital output 41 / 42.</p> <ul style="list-style-type: none"> <li>• Off: Digital output 41 / 42 deactivated.</li> <li>• Logic: Digital output 41 / 42 as a binary output (e.g. as an alarm output).</li> <li>• Pulse: Digital output 41 / 42 as a pulse output. In pulse mode, pulses are output per unit (e.g. 1 pulse per m3).</li> <li>• Frequency: Digital output 41 / 42 as a frequency output. In frequency mode, a frequency is issued that is proportional to the flow rate. The maximum frequency can be configured in accordance with the upper range value.</li> </ul>
Outp. Flow Direction	<p>Selection of flow direction in which the pulse / frequency output issues the selected process value.</p> <p>The parameter is only available if the digital output has been configured as a pulse or frequency output.</p> <ul style="list-style-type: none"> <li>• Forward &amp; Reverse: Pulses for both flow directions are output via digital output 41/42.</li> <li>• Forward: Only pulses in the forward flow (direction) (flow in direction of arrow) are output via digital output 41 / 42.</li> <li>• Reverse: Only pulses (in the) reverse flow (direction) (flow in opposite direction to arrow) are output via digital output 41 / 42.</li> </ul>
<b>...Setup Pulse Output</b>	<p>Selection of submenu '...Setup Pulse Output' using  .</p> <p>Only available if 'ModePulse' has been selected.</p>
<b>...Setup Freq Output</b>	<p>Selection of submenu '...Setup Freq Output' using  .</p> <p>Only available if 'ModeFrequency' has been selected.</p>
<b>...Setup Logic Output</b>	<p>Selection of submenu '...Setup Logic Output' using  .</p> <p>Only available if 'ModeLogic' has been selected.</p>
<b>...Alarm Config</b>	<p>Selection of submenu '...Alarm Config' using  .</p> <p>Only available when 'Logic' Mode is selected in the 'Alarm Signal' ...Setup Logic Output / Logic Output Action menu.</p>

## ... 8 Operation



### ... Parameter descriptions

Menu / parameter	Description
<b>Input/Output / ...Dig.Out 41/42 / ...Setup Pulse Output</b>	
Output Value Pulse	Selection of process variable that is issued via the pulse output. <ul style="list-style-type: none"> <li>Off: The pulse output is deactivated.</li> <li>Pulse Mass Flow: The pulse output indicates the mass flow.</li> <li>Pulse Volume Flow: The pulse output indicates the volume flow.</li> </ul>
Pulses per Unit	Sets the pulses per mass unit or volume unit (see table <b>Available units</b> on page 78) and the pulse width for the pulse output.
Pulse Width	The potential pulse width depends on the configured pulse value and is calculated dynamically.
<b>Input/Output / ...Dig.Out 41/42 / ...Setup Freq Output</b>	
Output Value Freq.	Selection of process variable that is issued via the frequency output. <ul style="list-style-type: none"> <li>Off: The pulse output is deactivated.</li> <li>Pulse Mass Flow: The pulse output indicates the mass flow.</li> <li>Pulse Volume Flow: The pulse output indicates the volume flow.</li> </ul>
Upper Frequency	Sets the frequency for the upper range value. The entered value corresponds to 100 % flow.
<b>Input/Output / ...Dig.Out 41/42 / ...Setup Logic Output</b>	
Logic Output Action	Selection of binary output function. <ul style="list-style-type: none"> <li>Off: The binary output is deactivated.</li> <li>F/R Signal: The binary output signals the flow direction.</li> <li>Alarm Signal: The binary output indicates an active alarm. The alarm is selected in the '...Alarm Config' menu.</li> <li>Dual Range: The binary output is activated when measuring range 2 (Qm Max 2 / Qv Max 2) is selected. This selection is only available if the parameter 'Dual Range' has been configured to Qm or Qv.</li> <li>Batch End Contact: The binary output is activated when the set fill quantity is reached (only if the FillMass function is activated).</li> </ul>
Active Mode	Select switching properties for the binary output. <ul style="list-style-type: none"> <li>Active High: Normally open</li> <li>Active Low: Normally closed</li> </ul> Default setting: Active High.

Menu / parameter	Description
<b>Input/Output / ...Dig.Out 41/42 / ...Alarm Config</b>	
General Alarm	Select error messages signaled via the binary output 41 / 42.
Qv Volumeflow Max	Only if the parameter 'Logic Output Action' is set to Alarm Signal.
Qv Volumeflow Min	
EPD	
TFE	
Gas Bubble	
Conductivity	
Sensor Temperature	
In house Temp	
<b>Input/Output / ...Dig.Out 51/52</b>	
Mode	<p>Selection of the operating mode for the digital output 51 / 52. The following operating mode 'Follow DO 41/42, &lt;90° Shift, 180° Shift' is only available if the digital output 51 / 52 has been configured as a pulse output.</p> <ul style="list-style-type: none"> <li>• Off: Digital output deactivated.</li> <li>• Logic: Digital output functions as binary output (for function see parameter '...Setup Logic Output').</li> <li>• Follow DO 41/42: The digital output 51 / 52 follows the pulses from the digital output 41 / 42. The function depends on the setting of the parameter 'Outp. Flow Direction'.</li> <li>• 90° Shift: 90° phase-shifted output of the same pulses as for digital output 41 / 42.</li> <li>• 180° Shift: 180° phase-shifted output of the same pulses as for digital output 41 / 42.</li> </ul>
Outp. Flow Direction	<p>Selection of flow direction in which the pulse / frequency output issues the selected process value.</p> <p>The parameter is only available if Follow DO 41/42 has been configured for digital output 51 / 52 in parameter 'Mode'.</p> <ul style="list-style-type: none"> <li>• No pulses are issued if 'Forward &amp; Reverse' is selected. Only digital output 41 / 42 is active.</li> <li>• When 'Forward' is selected, pulses for forward flow are issued at digital output 41 / 42 and pulses for reverse flow at digital output 51 / 52 .</li> <li>• When 'Reverse' is selected, pulses for forward flow are issued at digital output 41 / 42 and pulses for reverse flow at digital output 51 / 52</li> </ul>
<b>...Setup Logic Output</b>	<p>Selection of submenu '...Setup Logic Output' using  .</p> <p>Only available if 'ModeLogic' has been selected.</p>
<b>...Alarm Config</b>	<p>Selection of submenu '...Alarm Config' using  .</p> <p>Only available if 'ModeLogic' has been selected.</p>

## ... 8 Operation

### ... Parameter descriptions



Menu / parameter	Description
<b>Input/Output / ...Dig.Out 51/52 / ...Setup Logic Output</b>	
Logic Output Action	Selection of binary output function. See description '„Input/Output / ...Dig.Out 41/42 / ...Setup Logic Output'.
Active Mode	Select switching properties for the binary output. <ul style="list-style-type: none"> <li>• Active High: Normally open</li> <li>• Active Low: Normally closed</li> </ul> Default setting: Active High.
<b>Input/Output / ...Dig.Out 51/52 / ...Alarm Config</b>	
General Alarm	Selection of error messages signaled via the binary output 51 / 52.
Qv Volumeflow Max	Only if the parameter 'Logic Output Action' is set to Alarm Signal.
Qv Volumeflow Min	
EPD	
TFE	
Gas Bubble	
Conductivity	
Sensor Temperature	
In house Temp	
<b>Input/Output / ...Dig.Out V1/V2</b>	
<b>Input/Output / ...Dig. Out V3/V4</b>	
Mode	Selection of operating mode for the digital output V1 / V2 or V3 / V4. <ul style="list-style-type: none"> <li>• Off: Digital output deactivated.</li> <li>• Logic: Digital output functions as binary output (for function see parameter '...Setup Logic Output').</li> </ul> The digital outputs V1 / V2 and V3 / V4 are only available if the corresponding plug-in cards are present!
<b>...Setup Logic Output</b>	Selection of submenu '...Setup Logic Output' using  . Only available if 'Mode / Logic' has been selected.
<b>...Alarm Config</b>	Selection of submenu '...Alarm Config' using  . Only available if 'Mode / Logic' has been selected.

Menu / parameter	Description
<b>Input/Output / ...Dig.Out V1/V2 / ...Setup Logic Output</b>	
<b>Input/Output / ...Dig. Out V3/V4 / ...Setup Logic Output</b>	
Logic Output Action	Selection of binary output function. See description '„Input/Output / ...Dig.Out 41/42 / ...Setup Logic Output'.
Active Mode	Select switching properties for the binary output. <ul style="list-style-type: none"> <li>• Active High: Normally open</li> <li>• Active Low: Normally closed</li> </ul> Default setting: Active High.
<b>Input/Output / ...Dig.Out V1/V2 / ...Alarm Config</b>	
<b>Input/Output / ...Dig. Out V3/V4 / ...Alarm Config</b>	
General Alarm	Select error messages signaled via the binary output V1 / V2 or V3 / V4.
Qv Volumeflow Max	Only if the parameter 'Logic Output Action' is set to Alarm Signal.
Qv Volumeflow Min	
EPD	
TFE	
Gas Bubble	
Conductivity	
Sensor Temperature	
In house Temp	
<b>Input/Output / ...Dig.In V1/V2</b>	
<b>Input/Output / ...Dig.In V3/V4</b>	
Function	Select a function for the digital input. <ul style="list-style-type: none"> <li>• No function: No function.</li> <li>• Reset all Totalizer: Counter reset for all counters (forward flow, reverse flow and difference totalizer)</li> <li>• Stop all Totalizer: External counter stop for all counters (forward flow, reverse flow and difference totalizer)</li> <li>• Auto. Zero Adjust: Start external zero point balancing.</li> <li>• Set Flowrate to zero: Sets flow measurement to 0.</li> <li>• Start/Stop Batching: Start / stop fill operation (only when FillMass function is activated).</li> <li>• Dual Range Mass: Switchover Qm Max 1 / Qm Max 2.</li> <li>• Dual Range Volume: Switchover Qv Max 1 / Qv Max 2.</li> </ul>
Active Mode	Select switching properties for the digital input.
Delay Time	Selection of delay time for suppressing EMC faults on the digital input.

## ... 8 Operation

### ... Parameter descriptions

#### Menu: Process Alarm

Menu / parameter	Description
<b>Process Alarm</b>	
Alarm history	Display of the alarm history
Clear Alarm History	Reset of the alarm history.
<b>...Group Masking</b>	Selection of submenu '...Group Masking' using  .
<b>...Alarm Limits</b>	Selection of submenu '...Alarm Limits' using  .

#### Process Alarm / ...Group Masking

Maintenance Required	Alarm messages are divided into groups.
Function Check	If masking is activated for a group (On), no alarm is issued.
Out Of Specification	For additional information, see <b>Diagnosis / error messages</b> on page 109.

#### Process Alarm / ...Alarm Limits

Qm Massflow Min	Set the minimum / maximum limit value (0 to 110 %) for mass measurement. If the process value 'Qm [unit]' exceeds or falls below the limit value, an alarm is triggered.
Qm Massflow Max	
Qv Volumeflow Min	Set the minimum / maximum limit value (0 to 110 %) for volume measurement. If the process value 'Qv [unit]' exceeds or falls below the limit value, an alarm is triggered.
Qv Volumeflow Max	

## Menu: Communication

Menu / parameter	Description
<b>Communication</b>	
...HART	Selection of submenu '...HART' using  .
...Modbus	Selection of submenu '...Modbus' using  .
...Profibus	Selection of submenu '...Profibus' using  .
<b>Communication / ...HART</b>	
Device Address	<p>Selection of HART device address.</p> <p><b>Note</b></p> <p>The HART protocol has provisions for creating a bus with up to 15 devices (1 to 15)).</p> <p>If an address greater than 0 is set, the device operates in multidrop mode. The current output 31 / 32 / Uco is fixed to 4 mA. HART communication takes place only through current output 31 / 32 / Uco.</p>
Loop Current Mode	<p>Selection of the operating mode for current output with HART communication.</p> <ul style="list-style-type: none"> <li>• Multidrop Fixed</li> <li>• Normal Signaling</li> </ul>
HART Tag	<p>Entry of a HART TAG number as unique identifier for the device.</p> <p>Alphanumeric, a maximum of 8 characters, upper case only, no special characters.</p>
HART Long Tag	<p>Entry of a HART TAG number as unique identifier for the device.</p> <p>Alphanumeric, maximum of 32 characters, ASCII</p> <p>Only starting from HART version 7!</p>
HART Descriptor	<p>Entry of a HART descriptor.</p> <p>Alphanumeric, a maximum of 16 characters, upper case only, no special characters.</p>
HART Message	Display of the alphanumeric TAG number.
HART Manuf. ID	Display of the HART manufacturer ID. ABB = 26
HART Device ID	Display of the HART device ID.
HART Find	<p>Select whether the transmitter must respond to the HART command 73 (Find Device).</p> <ul style="list-style-type: none"> <li>• Off: The transmitter does not respond to command 73.</li> <li>• Once: The transmitter responds once to command 73.</li> <li>• Continuous: The transmitter always responds to command 73.</li> </ul>
Last HART Command	Display of the most recently sent HART command.






## ... 8 Operation

### ... Parameter descriptions

Menu / parameter	Description
<b>Communication / ...Modbus</b>	
Address	Setting the Modbus device address (1 to 127).
IEEE Format	<p>Selection of the byte order for the Modbus communication.</p> <ul style="list-style-type: none"> <li>Enabled: If the IEEE format is activated, the data words are sent in the 'little endian' format with the lowest value word first.</li> <li>Disabled: If the IEEE format is deactivated, the data words are sent in the standard Modbus 'bigendian' format.</li> </ul> <p>Factory setting: Enabled.</p>
Baud Rate	<p>Selection of the transmission speed (baud rate) for the Modbus communication.</p> <p>Factory setting: 9600 baud.</p>
Parity	<p>Selection of the parity for the Modbus communication.</p> <p>Factory setting: Odd.</p>
Stop Bits	<p>Selection of the stop bits for the Modbus communication.</p> <p>Factory setting: One stop bit</p>
Response Delay	<p>Setting of the pause time in milliseconds after receiving a Modbus command. The device sends a response no earlier than expiration of the set pause time.</p> <p>Factory setting: 10 ms</p>
<b>Communication / ...Profibus</b>	
Address	Set the PROFIBUS DP® device address (1 to 126).
Ident Nr. Selector	<p>Display the PROFIBUS DP® identification number</p> <ul style="list-style-type: none"> <li>9700: 1xAI</li> <li>9740: 1xAI + 1xTOT</li> <li>3432: ABB-specific</li> </ul>
Comm State	<p>Display the PROFIBUS communication status.</p> <ul style="list-style-type: none"> <li>Offline: No PROFIBUS® communication.</li> <li>Stop: Bus active, device not active.</li> <li>Clear: Device is being initialized.</li> <li>Operate: Cyclic communication is active.</li> </ul>
Baud Rate	<p>Display the transmission speed (baud rate) for the PROFIBUS® communication.</p> <p>The baud rate is automatically detected and does not need to be configured manually.</p>
PB Manufacturer ID	<p>Display the PROFIBUS DP® manufacturer ID</p> <ul style="list-style-type: none"> <li>26: ABB</li> </ul>










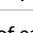
## Menu: Diagnostics

Menu / parameter	Description
<b>Diagnostics</b>	
...Maintenance control	Selection of submenu '...Maintenance control' using  .
...Diagnosis Control	Selection of submenu '...Diagnosis Control' using  .
...Diagnosis Values	Selection of submenu '...Diagnosis Values' using  .
.....Simulation Mode	Selection of submenu '.....Simulation Mode' using  .
...Output Readings	Selection of submenu '...Output Readings' using  .

### Diagnostics / ...Maintenance control

Preset Maint. cycle	Setting the service interval (0 to 9999 hours). After the service interval has expired, the corresponding error message 'M026.004' (Service interval has been reached) is set. The setting '0' deactivates the maintenance interval.
Maint. Remain. Time	Remaining service interval time until setting of error message 'M026.004.'
Start New Cycle	Resetting of the maintenance interval. The service interval is reset to the value set in 'Preset Maint. cycle'.

### Diagnostics / ...Diagnosis Control

...Diagnosis Tfe	Selection of submenu '...Diagnosis Tfe' using  .
...Empty Pipe Detector	Selection of submenu '...Empty Pipe Detector' using  .
...Diagnosis Coil*	Selection of submenu '...Diagnosis Coil' using  .
...Diagnosis Gas Bub.*	Selection of submenu '...Diagnosis Gas Bub.' using  .
...Diagnosis Conductiv*	Selection of submenu '...Diagnosis Conductiv' using  .
...Diagnosis SIL**	Selection of submenu '...Diagnosis SIL' using  .
...Noise Check	Selection of submenu '...Noise Check' using  .
...Fingerprints	Selection of submenu '...Fingerprints' using  .
Diagnosis Interval	Set the time span between the performance of each individual diagnosis. Default setting: 5 s.

\* The menu is only available if the Expert Diagnosis function is activated. See also the 'Device Setup\...Transmitter\...Feature Settings' menu.

\*\* Menu only available if SIL diagnostic function is activated. See also the 'Device Setup\...Transmitter\...Feature Settings' menu.

## ... 8 Operation

### ... Parameter descriptions

Menu / parameter	Description
<b>Diagnostics / ...Diagnosis Control / ...Diagnosis Tfe</b>	
Tfe On/Off	<p>Activate the Partial Filling Detection function.</p> <p><b>Note</b></p> <p>This feature is available if the sensor is equipped with a Partial Filling Detector (optional). This function is available for sensors from size DN 50 without explosion protection or with explosion protection for Zone 2 / Div 2. The flow sensor must be installed horizontally with the terminal box pointing upwards. The conductivity of the measured medium must be in the range of 20 to 20.000 <math>\mu\text{S}/\text{cm}</math>.</p>
Start Tfe Adjust	<p>The partial filling detection must be set in accordance with the conditions on-site. Start the automatic adjustment of the Partial Filling Detection function.</p> <p><b>Note</b></p> <p>Prior to starting, make sure that:</p> <ul style="list-style-type: none"> <li>• There is no flow through the sensor (close valves, shut-off devices etc.).</li> <li>• The flowmeter sensor is completely filled with the medium to be measured</li> </ul>
Manual Tfe Adjust	Manual setting of the Partial Filling Detection function.
Tfe Threshold	Manual fine adjustment of the switching threshold. The switching threshold is set automatically during automatic adjustment. If the current value should exceed the defined switching threshold, a message will appear on the display and an alarm will be triggered through the digital output, if appropriately configured.
Actual Tfe Value	Output of the TFE detection value. If the value should exceed the switching threshold, a message will appear on the display and an alarm will be triggered through the digital output, if appropriately configured.
<b>Diagnostics / ...Diagnosis Control / ...Empty Pipe Detector</b>	
Empty Pipe Detector	<p>Activate the 'Empty Pipe Detector' function (only for sizes <math>\geq</math> DN 10).</p> <p>A completely filled meter tube is essential for an accurate measurement. The 'Empty Tube Detection' function detects an empty meter tube..</p> <p>In case of an alarm, the current output records the determined status in the menu 'Input/Output / ...Curr.Out 31/32 / Curr. at EPD Alarm' and the pulse output is stopped.</p>
Adjust EP	<p>The empty tube detection function must be set in accordance with the conditions on-site. The switching threshold is set automatically during automatic adjustment.</p> <p>Start the automatic adjustment of the Empty Tube Detection function.</p>
Manual Adjust EP F.	<p>Manual set the empty tube detection function.</p> <p>The value must be adapted such that the frequency for the empty tube detection (Detector EP Value) is almost 2000 Hz..</p> <p><b>Note</b></p> <p>Before starting the (manual / automatic) adjustment, make sure that:</p> <ul style="list-style-type: none"> <li>• There is no flow through the sensor (close valves, shut-off devices etc.).</li> <li>• The flowmeter sensor is completely filled with the medium to be measured</li> </ul>
Threshold	<p>Set the switching threshold for the empty tube detection.</p> <p>The switching threshold is set automatically during automatic adjustment. The switching threshold can be changed for manual fine adjustment.</p>
Detector EP Value	Frequency display for empty tube detection. If the current value should exceed the defined switching threshold, a message will appear on the display and an alarm will be triggered through the digital output, if appropriately configured.

Menu / parameter	Description
<b>Diagnostics / ...Diagnosis Control / ...Diagnosis Coil*</b>	
Coil Diag On/Off	Activate the coil diagnosis function.
Coil Resistor	Display the coil resistance.
Coil Current	Display the coil current.
Coil Inductance	Display the coil inductance.
Coil Temperature	Display the coil temperature within the sensor.
Coil Temperature Adj	Measurement of coil temperature must be set in accordance with the conditions on-site. Temperature measured with a separate thermometer can be entered here.
Coil Temp. Min Alarm	Min. and max. alarm for the sensor temperature (coil temperature)
Coil Temp. Max Alarm	Can be used to monitor the temperature limit of the meter tube liner
<b>Diagnostics / ...Diagnosis Control / ...Diagnosis Gas Bub.*</b>	
Coil Diag On/Off	Activate the 'Gas Bubble Detection' function. Default setting: Off  <b>Note</b> Gas bubble detection can be used in the nominal diameter range of DN 10 to 300. For additional information, see <b>Extended diagnostic functions</b> on page 118.
Gas Bubble Value	Displays current gas bubble value.
Start Adj Gas Bubble	The gas bubble detection function must be set in accordance with the conditions on-site. Start the automatic adjustment of the gas bubble detection.  <b>Note</b> Prior to starting, make sure that: <ul style="list-style-type: none"> <li>• There is no flow through the sensor (close valves, shut-off devices etc.).</li> <li>• The flowmeter sensor must be completely filled with the liquid to be measured and free of gas bubbles.</li> </ul>
Gas Bubble Threshold	Set the switching threshold. If the current value should exceed the defined switching threshold, a message will appear on the display and an alarm will be triggered through the digital output, if appropriately configured.

\* The menu is only available if the Expert Diagnosis function is activated. See also the 'Device Setup\...Transmitter\...Feature Settings' menu.

## ... 8 Operation

### ... Parameter descriptions

---

#### Diagnostics / ...Diagnosis Control / ...Diagnosis Conductiv\*

---

Conductivity On/Off	<p>Activate the conductivity diagnostic function.</p> <p>Default setting: Off</p> <p><b>Note</b></p> <p>Gas bubble detection can be used in the nominal diameter range of DN 10 to 300.</p> <p>For additional information, see <b>Extended diagnostic functions</b> on page 118.</p>
Conductivity[ $\mu\text{S}/\text{cm}$ ]	Indicator of the measured conductivity in $\mu\text{S}/\text{cm}$ .
Adj. Cond. Value	<p>Conductivity must be set in accordance with the conditions on-site.</p> <p>Measure the conductivity using a conductivity meter on-site and enter the measured value here.</p> <p>Limits: 5 to 20000 <math>\mu\text{S}/\text{cm}</math></p>
Cond. Iout Min Value	The conductivity value is available as a 4 to 20 mA-output (option card).
Cond. Iout Max Value	Set the 4 mA and 20 mA value which correspond to the upper and lower range of the conductivity value.
Cond.Min Alarm Value	Set the alarm for minimum and maximum conductivity. In the case of down-scale, an alarm is triggered.
Cond.Max Alarm Value	Limits: 5 to 20000 $\mu\text{S}/\text{cm}$
Elec. Imp. E1-GND	<p>Electrical impedance E1-GND.</p> <p>Current impedance between electrode E1 and GND (ground potential).</p>
Elec. Imp. E2-GND	<p>Electrical impedance E2-GND.</p> <p>Current impedance between electrode E2 and GND (ground potential).</p>

---

#### Diagnostics / ...Diagnosis Control / ...Diagnosis SIL\*\*


---

SIL On/Off	<p>For information purposes only.</p> <p>SIL devices are delivered ex works as SIL devices. There is no special SIL mode to activate</p>
------------	--

---

\* The menu is only available if the Expert Diagnosis function is activated. See also the 'Device Setup\...Transmitter\...Feature Settings' menu.

\*\* Menu only available if SIL diagnostic function is activated. See also the 'Device Setup\...Transmitter\...Feature Settings' menu.

Menu / parameter	Description
<b>Diagnostics / ...Diagnosis Control / ...Noise Check</b>	
Start Noise Check	Start the 'Noise Check' function, using  .
<b>Result Noise Check</b>	The LCD display displays the results of the Noise Check.
Power Spectrum	Current power spectrum.
Amplitude 1 Value	Display the four highest amplitudes in the power spectrum.
Amplitude 2 Value	
Amplitude 3 Value	
Amplitude 4 Value	
Frequency 1	Display the four highest amplitudes in the frequency corresponding to the power spectrum.
Frequency 2	
Frequency 3	
Frequency 4	
<b>Diagnostics / ...Diagnosis Control / ...Fingerprints</b>	
Tx Factory CMR	The 'fingerprint database' allows for a comparison of the values at the time of factory calibration with the currently recorded values. Errors in the integrity of the device can already be detected early on. Corrective measures can be taken.
Tx Factory 1m/s	
Tx Factory 10m/s	Here: Display of the determined values at the time of the factory calibration.
Se Factory Coil Ind.	
Se Factory Imp. E1	
Se Factory Imp.E2	
Start. FP verification	Create a fingerprint and perform verification.
Result FP verification	Display of the verification result. Based on the result, one of the following messages will be issued. 'FP Verificat. passed', 'CMR failed', '1m/s failed', 'CMR, 1m/s failed'10m/s failed', 'CMR, 10m/s failed'1m/s, 10m/s failed', 'All TxFingerp.failed'Coil Fingerp. Failed', 'CMR, Coil failed'1m/s, Coil failed', 'CMR,1m/s,Coil failed'10m/s, Coil failed', 'CMR,10m/s,Coil faile'1, 10m/s,Coil failed', 'All Fingerp. failed'No Verific.performed'
Tx Customer CMR	The manual fingerprint is created on-site prior to verification of the transmitter.
Tx Customer 1m/s	Here: Display of the determined values.
Tx Customer 10m/s	
Se Customer Coil Ind	
Se Customer Imp. E1	
Se Customer Imp. E2	

## ... 8 Operation

### ... Parameter descriptions

Menu / parameter	Description
<b>Diagnostics / ...Diagnosis Values</b>	
All values in this menu are for informational and service purposes only.	
Inhouse Temperature	Display of temperature value within the transmitter housing.
Inhouse Temp MaxPeak	
Inhouse Temp MinPeak	
Driver Current	Display of the drive current of the sensor coil.
Signal Region on ADC	Display of the measuring signal within the A / D converter input. (-100 % to +100 %)
Coil DAC Preset	Display of the D / A converter for coil drive.
DC Feedback DAC	D / A converter feedback value.
ADC Errors	A / D converter error
Device Restart Count	Number of device restarts (boots).

#### **Diagnostics / .....Simulation Mode**





Simulation Switch	Manual simulation of measured values. After selecting the value to be simulated, a corresponding parameter is displayed in the menu 'Diagnostics / .....Simulation Mode'. The simulation value can be set here.
Off	
Qm Massflow [unit]	The output values correspond to the simulated flowrate entered.
Qm Massflow [%]	The 'Configuration' information is displayed in the lower line of the display.
Qv Volumeflow [unit]	Only one measured value / output can be selected for simulation.
Qv Volumeflow [%]	After power-up / restart of the device, the simulation is switched off.
Conductivity[ $\mu$ S/cm]	
Curr.Out 31/32	
Curr.Out V1/V2	
Curr.Out V3/V4	
Dig.Out 41/42 State	
Dig.Out 41/42 Freq.	
Dig.Out 41/42 Pulse	
Dig.Out 51/52 State	
Dig.Out 51/52 Pulse	
Dig.Out V1/V2 State	
Dig.Out V3/V4 State	
Dig.In V1/V2 State	
Dig.In V3/V4 State	
Hart Frequency	

Menu / parameter	Description
<b>Diagnostics / ...Output Readings</b>	
Curr.Out 31/32	Display the current values and statuses of the listed inputs and outputs.
Curr.Out V1/V2	
Curr.Out V3/V4	
Dig.Out 41/42 Freq.	
Dig.Out 41/42 State	
Dig.Out 51/52 State	
Dig.Out V1/V2 State	
Dig.Out V3/V4 State	
Dig.In V1/V2 State	
Dig.In V3/V4 State	

## ... 8 Operation

### ... Parameter descriptions

#### Menu: Totalizer

Menu / parameter	Description
<b>Totalizer</b>	
...Reset Totalizer	Selection of submenu '...Reset Totalizer' using  .
...Preset Totalizer	Selection of submenu '...Preset Totalizer' using  .
...Batching	Selection of submenu '...Batching' using  .
...Lag Correction	Selection of submenu '...Lag Correction' using  .

#### Totalizer / ...Reset Totalizer

All Totalizer	Resets all totalizers to zero.
Massflow Fwd	Resets individual counters.
Massflow Rev	
Volumeflow Fwd	
Volumeflow Rev	

#### Totalizer / ...Preset Totalizer

Massflow Fwd	Allows editing / presetting of counter values (e.g. when replacing the transmitter).
Massflow Rev	
Volumeflow Fwd	
Volumeflow Rev	



Menu / parameter	Description
<b>Totalizer / ...Batching</b>	
Batch Process Value	<p>Selection of process variable used during the filling process.</p> <ul style="list-style-type: none"> <li>• Off: Filler deactivated.</li> <li>• Volume Forward: Volume flow rate in forward flow direction.</li> <li>• Norm Volume Forward: Net volume flow rate in forward flow direction.</li> <li>• Mass Forward: Mass flow in forward flow direction.</li> <li>• Net Volume Forward: Net volume flow rate in forward flow direction.</li> <li>• Net Mass Forward: Net mass flow in forward flow direction.</li> </ul>
Preset Batch Total.	<p>Sets the fill quantity using the selected unit.</p> <p>When the defined fill quantity is reached, the configured binary output is activated.</p> <p><b>Note</b></p> <p>Before setting the fill quantity, the corresponding process value must be selected with the parameter 'Batch Process Value'.</p>
Reset Cur.Batch Tot.	Resets the current fill quantity.
Start Batching	<p>Manual start of the filling function.</p> <p>Alternatively, the digital input can be configured for starting / stopping the fill operation.</p>
Current Batch Total.	<p>Display of the current fill quantity.</p> <p>Once a fill operation has been started, the quantity already filled is shown here.</p> <p>The counter restarts at zero for each fill operation initiated and then counts up to the set fill quantity.</p>
Stop Batching	<p>Manual stop of the filling function.</p> <p>Alternatively, the digital input can be configured for starting / stopping the fill operation.</p>
Batch Counts	Display of the number of fill operations since the last reset.
Reset Batch Counts	Sets the parameter 'Batch Counts' to zero.

**Note**

In order to achieve a shorter response time for the fill function, the damping must be switched off. To switch off the damping, switch to the menu. 'Device Setup / ...Transmitter / Damping On/Off'

## ... 8 Operation

### ... Parameter descriptions

Menu / parameter	Description
<b>Totalizer / ...Lag Correction</b>	
Mode	<p>Selection of overrun correction.</p> <p>Closing the fill valve takes some time and as a consequence more liquid is added, even though the fill quantity is reached and the contact for closing the valve is actuated.</p> <ul style="list-style-type: none"> <li>• Manual: The overrun quantity is calculated by the transmitter automatically.</li> <li>• Auto: The overrun quantity must be determined manually and entered in the selected unit via the parameter 'Quantity'.</li> </ul>
Quantity	Manual input of the overrun quantity / display of the overrun quantity detected automatically by the transmitter.
Factor	<p>The menu is visible when 'Mode' is set to 'Auto'.</p> <p>Sets the weighting of the last filling process during automatic calculation of the overrun quantity.</p> <p>The calculation is based on the following formula:</p> <p>New correction value = last correction value + (BatchAuto.Lag Corr.Factor × correction value at the last filling)</p> <ul style="list-style-type: none"> <li>• 0.0: No change to correction value.</li> <li>• 1.0: The correction value is immediately adjusted to the overrun quantity calculated during the last fill operation.</li> </ul> <p>Value range: 0 to 1</p>
Time	<p>Sets the time for the overrun quantity correction after the fill valve is closed.</p> <p>Value range: 0.1 to 10<sup>9</sup> sec.</p>

**Menu: Sensor Setup****NOTICE****Damage to components!**

Damage to the flowmeter sensor due to incorrect setting of the excitation current possible.

**Note**

Menu only available if function 'Backwards Comp.' has been ordered and activated (see menu 'Device Setup/...Transmitter/...Feature Settings').

If the function Backwards Comp. is activated, the transmitter can also be used with older transducers.

Setting the parameters in accordance with the specification on the name plate of the older sensor.

Menu / parameter	Description
<b>Sensor Setup</b>	
Sensor Type	Select the sensor type: <ul style="list-style-type: none"> <li>Standard QmaxDN: For ProcessMaster, HygienicMaster.</li> </ul>
Meter Size	Setting the nominal diameter in accordance with the value provided on the name plate of the flowmeter sensor. Value range: DN1 to 2400
Se Span	Setting the span in accordance with the value provided on the name plate of the flowmeter sensor.
Se Zero	Setting the zero point in accordance with the value provided on the name plate of the flowmeter sensor.
Line Freq	Selection of the mains frequency of the power supply (50Hz or 60Hz)
Excitation Freq.	Setting the excitation frequency in accordance with the value provided on the name plate of the flowmeter sensor. Range: 30 & 25Hz, 15 & 12.5Hz, 7.5 & 6.25Hz, 3.75 & 3.125Hz
Set Point Curr.	Adjustment of the excitation current of the sensor coils. Setting parameter to 200 mA only for models FEP321, FEP521, FEH321, FEH521. For all other sensors contact ABB Service.
Pre. Amp	Selection whether a preamplifier exists in the flowmeter sensor or not Older transducers with sensor sizes smaller than DN 10 or signal cables longer than 50 m (164 ft) have a preamplifier.
Calibration flag	Set to '1' as soon as all parameters have been set in the setup menu of the sensor.
Sensor TFE Function	This activates or deactivates full pipe detection (TFE = complete fill electrode).

**Software history**

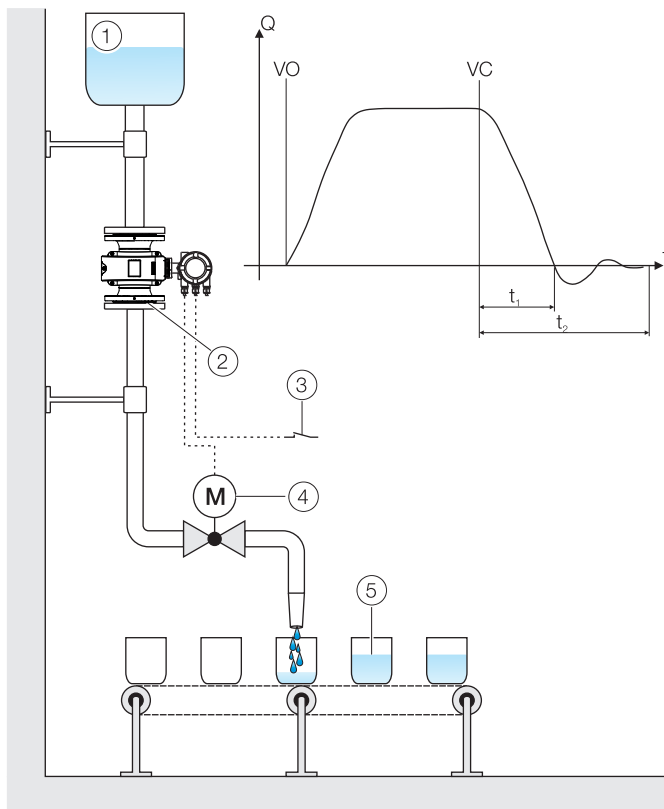
In accordance with NAMUR recommendation NE53, ABB offers a transparent and traceable software history.

**Device software package FEx630 (device firmware package)**

Design	Issue date	Type of change	Description	Ordering number
00.04.00	2/3/2017	First publication	–	3KXF002044U0100_00.04.00
00.04.01	6/27/2017	Bug fixing	Piston pumps filter	3KXF002044U0100_00.04.01
00:05:00	1/12/2018	Bug fixing	Integrated Polish language	3KXF002044U0100_00.05.00
7/1/2000	2018	Bug fixing	PROFIBUS DP® and Modbus® integrated. New bootloader	3KXF002044U0100_01.07.00

## ... 8 Operation

### Filling function



- ① Supply tank
  - ② Sensor
  - ③ Start / stop fill operation (digital input through plug-in card)
  - ④ Fill valve
  - ⑤ Filling tank
- VO Valve open (filling started)
  - VC Valve closed (fill quantity reached)
  - t<sub>1</sub> Valve closing time
  - t<sub>2</sub> Overrun time

Figure 76: FillMass fill function

The optional filling function allows filling with filling times > 3 seconds.

Filling quantity is configurable and the filling process can be started via the digital input (plug-in card). As soon as the filling quantity has been reached, the valve can be closed via the digital output. Filling quantity correction is calculated by measuring the overrun quantity. Additionally, the low flow cut-off can be configured if required.

#### Setup

For the configuration of the fill function, the following steps must be performed:

1. The fill function must be active. See also the 'Device Setup / ...Transmitter / ...Feature Settings / ...' menu.
2. One digital output must be configured as a binary output with the function 'Batch End Contact'. See also the 'Input/Output / ...' menu. As an option, one digital input (option module) can be configured with the function 'Start/Stop Batching' at the start of the filling process.
3. The parameters for the fill function must be configured. See also the 'Totalizer / ...Batching / ...' menu.

#### Note

During fast filling processes, the damping should be set to the minimum value to guarantee the greatest possible accuracy of the fill quantity.

See also the 'Device Setup / ...Transmitter / ...' menu.

### Brief overview of configurations

Configuration of digital output 41 / 42 as pulse output for forward flow and digital output 51 / 52 as pulse output for reverse flow.

Menu / parameter	Parameter setting
<b>Input/Output / Dig.Out 41/42 / ...</b>	
Mode	⇒ Pulse
Outp. Flow Direction	⇒ Forward
<b>Input/Output / ...Setup Pulse Output</b>	
Output Value Pulse	⇒ Pulse Volume Flow
Pulses per Unit	⇒ Setting in accordance with requirement
Pulse Width	⇒ Setting in accordance with requirement
<b>Input/Output / Dig.Out 51/52</b>	
Mode	⇒ Follow DO 41/42

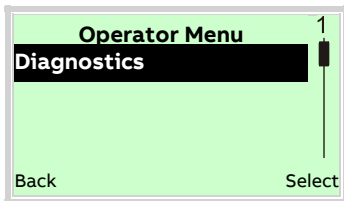
## 9 Diagnosis / error messages

### Calling up the error description

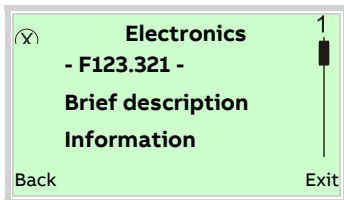
Additional details about the error that has occurred can be called up on the information level.



1. Use to switch to the information level (Operator Menu).



2. Use / to select the submenu 'Diagnostics'.
3. Confirm the selection with .



The error message is shown on the display according to priority.

The first line shows the area in which the error has occurred.

The second line shows the unique error number. It is made up of the priority (Fxxx) and the error position (.xxx)

The next lines show a brief description of the error and information on how to remedy it.

You absolutely need to scroll the display further to read the error message in more detail.

#### Note

For a detailed description of the error messages and information on troubleshooting, see the following pages.

## ... 9 Diagnosis / error messages

### Error messages

The error messages are divided into four groups in accordance with the NAMUR classification scheme.

#### Errors

Error no. / Range	Text on the LCD display	Cause	Remedy
F099.042 / electronics	ADC overrange alarm. Noise too high. Check applicati. Call service.	Electrode signal overranges max. ADC limits. No flow measurement possible.	If the tube is empty, make sure the empty tube detection is activated. Make sure that the actual flow rate does not up-scaled the configured flow rate. Contact the service department
F098.011 / electronics	No Frontend Board detected. Wrong connection. Defect Frontend. Check wiring.	Frontend board or motherboard hardware defective. Wrong or no connection between frontend board and motherboard.	Check the wiring in the terminal compartment and in the transmitter housing. Contact the service department
F097.029 / Electronics	Coil regulation error. Check wiring of sensor coils. Call service	Incorrect coil wiring (M1 / M2 terminals) or cable break / short-circuit or defective coil fuse or moisture in terminal compartment.	Check for incorrect coil wiring (M1 / M2 terminals) or cable break / short-circuit or defective coil fuse or humidity in the terminal compartment.
F096.043 / Electronics	SIL self check alarm. Call service.	The $\mu$ Controller of the current output has detected a transmitter error.	Contact the service department
F095.036 / Electronics	Coil isolation alarm. Call service.	Defective coil or incorrect wiring (short-circuit between M1 / M2 and GND). Flooded sensor	Contact the service department
F094.021 / electronics	Safety Alarm Curr. Out 31 / 32 SIL function detects error. Call Service.	The $\mu$ Controller of the current output has detected relevant SIL errors.	Contact the service department
F093.032 / Electronics	Electrode short cuircit. Check wiring of sensor electrode. Call service.	Wrong wiring or electrode leakage or short-circuit of the electrode signal line and shield or flowmeter flooded.	Check for incorrect wiring or electrode leakage or short-circuit of the electrode signal line and the shield or flooded sensor.
F092.033 / Electronics	Electrode open cuircit. Check wiring of sensor electrode. Call service.	Wrong electrode wiring or break in electrode signal line.	Check for incorrect electrode wiring or break in electrode signal line.
F091.030 / Electronics	Coil wiring error. Check wiring of sensor coils. Call service.	Incorrect coil wiring (M1 / M2 terminals) or cable break / short circuit or defective coil fuse or moisture in terminal compartment.	Check for incorrect coil wiring (M1 / M2 terminals) or cable break / short-circuit or defective coil fuse or humidity in the terminal compartment.
F090.035 / Electronics	ADC RX210 com. error. Call service.	Bad EMC environment or defective component.	Replace the electronics unit or contact ABB Service.

Error no. / Range	Text on the LCD display	Cause	Remedy
F088.012 / electronics	FEB communication error. EMC disturbance. Call Service.	EMC interference on the signal cable. Wrong signal cable.	Check signal cables and connection Please contact the service department.
F086.018 / Electronics	Curr.Out 31 / 32 com error. Defective Board. EMC disturbance. Call Service.	Broken motherboard hardware. EMC interference	Please contact the service department.
F084.010 / electronics	NV data defect. Data storage irreparable. Call Service.	Data in SensorMemory corrupt.	Please contact the service department.
F082.013 / Electronics	Incompatible Frontend Board. Frontend not fit to Motherboard. Call Service.	Wrong frontend board or motherboard.	Please contact the service department.
F081.025 / electronics	MB voltages outside range. Defective Motherboard HW. Call Service.	Broken motherboard hardware.	Replace motherboard. Please contact the service department.

### Function check

Error no. / Range	Text on the LCD display	Cause	Remedy
C078.003 / Config.	Flowrate to zero. Check digital in terminals.	The Digital Input option card is configured to trigger the 'set flowrate to zero' option and this event.	Check terminals of digital input and configuration.
C076.005 / Config.	All totalizer stopp. Check digital in terminals.	The Digital Input option card is configured to trigger the 'All Totalizer stop' option and this event.	Check terminals of digital input and configuration.
C074.006 / Config.	Totalizer reset. Reset of one or more Totalizers.	The Digital Input option card is configured to trigger the Reset Totalizer option and this event.	Check terminals of digital input and configuration.
C072.002 / Config.	Simulation is on. Simulated values. Switch off Simulation Mode.	The simulation of a process value or an output is active.	Switch off simulation mode.
C070.026 / Config.	An alarm is simulated. Switch off alarm simulation.	The simulation of an alarm is active.	Set alarm simulation to 'Off'.

## ... 9 Diagnosis / error messages

### ... Error messages

#### Operation outside of specifications (Out Of Spec.)

Error no. / Range	Text on the LCD display	Cause	Remedy
S065.044 / operation	Inhouse temp. alarm. Reduce ambient temperature.	Measuring medium or ambient temperature is outside the spec.	Check process conditions, reduce temperature.
S064.041 / operation	EPD alarm. Secure pipe is completely filled.	Sensor not filled.	Check if pipe is empty. Make sure that the sensor is completely filled.
S063.040 / operation	TFE alarm. Secure pipe is completely filled.	Alarm of the complete filling electrode, but incorrect, because the sensor is not completely filled.	Check installation and process conditions.
S062.039 / operation	Sensor temp. limits alarm. Change limits or change fluid temperature.	The measuring medium temperature is outside the temperature limit.	Check process conditions and adjust alarm threshold.
S061.038 / operation	Conductivity limits alarm. Change limits or Check application.	The conductivity of the measuring medium is outside the limit values.	Check process conditions and adjust alarm threshold.
S060.037 / operation	Gas bubble alarm. Check conditions of application.	Gas bubbles in the measuring medium	Check the process conditions.
S052.016 / operation	Curr.Out 31 / 32 is saturated. CO process value out of range. Adapt Qmax.	The selected process value of the current output 31/32 is outside the measuring range.	Adjust measuring range.
S051.017 / operation	Curr.Out V1 / V2, V3 / V4 saturated. CO process value out of range. Adapt Qmax.	The selected process value of the current output V1 / V2 or V3 / V4 is outside the measuring range.	Adjust measuring range.
S049.019 / electronics	Option Card 1 com error. Defective Card. Check Card 1. Call Service.	Broken hardware of the motherboard or option card. EMC interference	Check / replace option card in slot 1. Please contact the service department.
S048.020 / electronics	Option Card 2 com error. Defective Card. Check Card 2. Call Service.	Broken hardware of the motherboard or option card. EMC interference	Check / replace option card in slot 2. Please contact the service department.
S047.015 / operation	Pulse output is cut off. Wrong config. Check pulse out configuration.	The calculated output pulse or the calculated output frequency is above the configured cutoff frequency.	Check configuration for the output pulse.
S046.000 / operation	Mass flowrate exceeds limits. Check flowrate and alarm limits.	The mass flow is below or above the configured limit values 'Qm Massflow Min' and 'Qm Massflow Max'.	Check the parameterization in menu 'Process Alarm / ...Alarm Limits' and adjust as needed. Check volume flow rate.
S044.001 / operation	Volume flowrate exceeds limits. Check flowrate and alarm limits.	The volume flow rate is below or above the configured limit values 'Qv Volumeflow Min' and 'Qv Volumeflow Max'.	Check the parameterization in menu 'Process Alarm / ...Alarm Limits' and adjust as needed. Check volume flow rate.



Error no. / Range	Text on the LCD display	Cause	Remedy
S041.034 / electronics	DC feedback regulation. Check conditions of application. Call service.	Multi-phase measuring media that produce a very high level of noise. Stones or solids that produce a very high level of noise. Galvanic voltages at the measuring electrodes. Conductivity of the measuring medium is not evenly distributed (e.g. directly after the injection points).	Please contact the service department.
S040.031 / electronics	Coil Inductance alarm. Call service.	Coil inductance changed, coil damaged, coil insulation damaged, external magnetic fields.	Please contact the service department.

## Maintenance

Error no. / Range	Text on the LCD display	Cause	Remedy
M038.009 / electronics	Sensor memory defective. Mem. or connect. defective. Replace memory.	Defective NV memory module. NV memory module not inserted.	Check if NV memory module is inserted. Please contact the service department.
M037.014 / Electronics	NV chips defect on Motherboard. Defective MB. Replace MB. Call Service.	Defective NV memory.	Replace motherboard. Please contact the service department.
M032.022 / Config.	Curr.Out 31 / 32 not calibrated. Call Service.	Current output 31 / 32, Uco not calibrated.	Please contact the service department.
M031.023 / Config.	Curr.Out V1 / V2 not calibrated. Replace Current Option Card. Call Service.	Current output V1 / V2 not calibrated.	Please contact the service department.
M030.024 / Config.	Curr.Out 31 / 32 not calibrated. Call Service.	Current output V3 / V4 not calibrated.	Please contact the service department.
M028.007 / Config.	Display value is < 1600 h at Qmax. Change mass Unit or vol. Unit for Totalizer.	Counter unit too small.	Change mass or volume totalizer unit.
M020.027 / Electronics unit	Communicat. Card not responding	Fieldbus plug-in is not reacting. • Plug-in card is defective.	Please contact the service department.
M026.004 / Config.	Maintenance interval is reached. Perform maintenance.	Set 'Preset Maint. cycle' to zero to disable the maintenance timer.	Perform maintenance work. Start new cycle.
M024.008 / Config.	Device not calibrated. Call Service.	Device is not calibrated.	Please contact the service department.

## ... 9 Diagnosis / error messages

### Overview

Errors encountered are itemized in tabular form on the following pages. The response of the transmitter on error detection is described therein.

The table lists all possible errors together with a description of their impact on the value of measurement variables, the properties of current outputs and the alarm output.

Error no. / Range	Error text	Current output	Digital output	Pulse output	LCD display	Error maskable?
F099.042 / electronics	ADC overrange alarm. Noise too high. Check applicati. Call service.	High Alarm or Low Alarm, depending on parameter 'Curr.Out at Alarm'.	General Alarm if DO as 'Logic / Alarm Signal' is configured	0 Hz	0 %	No
F099.011 / electronics	No Frontend Board detected. Wrong connection. Defect Frontend. Check wiring.			0 Hz	0 %	No
F097.029 / Electronics	Coil regulation error. Check wiring of sensor coils. Call service			0 Hz	0 %	No
F096.043 / Electronics	SIL self check alarm. Call service.			Current value - no change.	Current value - no change.	No
F095.036 / Electronics	Coil isolation alarm. Call service.			Current value - no change.	Current value - no change.	No
F094.021 / electronics	Safety Alarm Curr. Out 31 / 32 SIL function detects error. Call Service.			Current value - no change.	Current value - no change.	No
F093.032 / Electronics	Electrode short cuircit. Check wiring of sensor electrode. Call service.			0 Hz	0 %	No
F092.033 / Electronics	Electrode open cuircit. Check wiring of sensor electrode. Call service.			0 Hz	0 %	No
F091.030 / Electronics	Coil wiring error. Check wiring of sensor coils. Call service.			0 Hz	0 %	No

Error no. / Range	Error text	Current output	Digital output	Pulse output	LCD display	Error maskable?
F090.035 / Electronics	ADC RX210 com. error. Call service.			0 Hz	0 %	No
F088.012 / electronics	FEB communication error. EMC disturbance. Call Service.			0 Hz	0 %	No
F086.018 / Electronics	Curr.Out 31 / 32 com error. Defective Board. EMC disturbance. Call Service.			Current value - no change.	Current value - no change.	No
F084.010 / electronics	NV data defect. Data storage irreparable. Call Service.			0 Hz	0 %	No
F082.013 / Electronics	Incompatible Frontend Board. Frontend not fit to Motherboard. Call Service.			0 Hz	0 %	No
F081.025 / electronics	MB voltages outside range. Defective Motherboard HW. Call Service.			0 Hz	0 %	No
C078.003 / Config.	Flowrate to zero. Check digital in terminals.	4 mA (0 % flow)	Current value - no change.	0 Hz	0 %	Menu '...Group Masking'.
C076.005 / Config.	All totalizer stopp. Check digital in terminals.	Current value - no change.	Current value - no change.	Current value - no change.	Current value - no change.	
C074.006 / Config.	Totalizer reset. Reset of one or more Totalizers.	Current value - no change.	Current value - no change.	Current value - no change.	Current value - no change.	Menu '...Group Masking'.
C072.002 / Config.	Simulation is on. Simulated values. Switch off Simulation Mode.	Current value - no change.	Current value - no change.	Current value - no change.	Current value - no change.	
C070.026 / Config.	An alarm is simulated. Switch off alarm simulation.	Current value - no change.	Current value - no change.	Current value - no change.	Current value - no change.	

## ... 9 Diagnosis / error messages

### ... Overview

Error no. / Range	Error text	Current output	Digital output	Pulse output	LCD display	Error maskable?
S065.044 / operation	Inhouse temp. alarm. Reduce ambient temperature.	Current value - no change.	No Answer	No Answer	Current value - no change.	
S064.041 / operation	EPD alarm. Secure pipe is completely filled.	Alarm - configured as in menu 'Curr. at EPD Alarm'.	Alarm, if DO as 'Logic / Alarm Signal / EPD Alarm' is configured	0 Hz	0 %	Menu '...Group Masking'.
S063.040 / operation	TFE alarm. Secure pipe is completely filled.	Alarm - configured as in menu 'Curr. at TFE Alarm'.	Alarm, if DO as 'Logic / Alarm Signal / TFE Alarm' is configured	Current value - no change.	Current value - no change.	Menu '...Group Masking'.
S062.039 / operation	Sensor temp. limits alarm. Change limits or change fluid temperature.	Current value - no change.	No Answer	Current value - no change.	Current value - no change.	Menu '...Group Masking'.
S061.038 / operation	Conductivity limits alarm. Change limits or Check application.	Current value - no change.	Alarm, if DO as 'Logic / Alarm Signal / Conductivity' is configured	Current value - no change.	Current value - no change.	Menu '...Group Masking'.
S060.037 / operation	Gas bubble alarm. Check conditions of application.	Current value - no change.	Alarm, if DO as 'Logic / Alarm Signal / Gas bubble Alarm' is configured	Current value - no change.	Current value - no change.	Menu '...Group Masking'.
S052.016 / operation	Curr.Out 31 / 32 is saturated. CO process value out of range. Adapt Qmax.	Alarm - configured as in menu '„Curr.Out > 20.5mA'.	Current value - no change.	Current value - no change.	Current value - no change.	Menu '...Group Masking'.
S051.017 / operation	Curr.Out V1 / V2, V3 / V4 saturated. CO process value out of range. Adapt Qmax.					
S049.019 / electronics	Option Card 1 com error. Defective Card. Check Card 1. Call Service.	Does not react anymore	Current value - no change.	Current value - no change.	Current value - no change.	Menu '...Group Masking'.
S048.020 / electronics	Option Card 2 com error. Defective Card. Check Card 2. Call Service.	Does not react anymore	Current value - no change.	Current value - no change.	Current value - no change.	Menu '...Group Masking'.

Error no. / Range	Error text	Current output	Digital output	Pulse output	LCD display	Error maskable?
S047.015 / operation	Pulse output is cut off. Wrong config. Check pulse out configuration.	Current value - no change.	Current value - no change.	Largest possible pulse rate	Current value - no change.	Menu '...Group Masking'.
S046.000 / operation	Mass flowrate exceeds limits. Check flowrate and alarm limits.	Current value - no change.	Alarm, if DO as 'Qm Massflow Max' Or 'Qm Massflow Min' is configured.	Current value - no change.	Current value - no change.	Menu '...Group Masking'.
S044.001 / operation	Volume flowrate exceeds limits. Check flowrate and alarm limits.	Current value - no change.	Alarm, if DO as 'Qv Volumeflow Max' Or 'Qv Volumeflow Min' is configured.	Current value - no change.	Current value - no change.	Menu '...Group Masking'.
S041.034 / electronics	DC feedback regulation. Check conditions of application. Call service.	4 mA (0 % flow)	No Answer.	0 Hz	0 %	Menu '...Group Masking'.
S040.031 / electronics	Coil Inductance alarm. Call service.	Current value - no change.	No Answer.	Current value - no change.	Current value - no change.	Menu '...Group Masking'.
M038.009 / electronics	Sensor memory defective. Mem. or connect. defective. Replace memory.	Current value - no change.	No Answer.	Current value - no change.	Current value - no change.	Menu '...Group Masking'.
M037.014 / Electronics	NV chips defect on Motherboard. Defective MB. Replace MB. Call Service.					
M032.022 / Config.	Curr.Out 31 / 32 not calibrated. Call Service.					
M031.023 / Config.	Curr.Out V1 / V2 not calibrated. Replace Current Option Card. Call Service.	Current value - no change.	Current value - no change.	Current value - no change.	Current value - no change.	Menu '...Group Masking'.
M030.024 / Config.	Curr.Out 31 / 32 not calibrated. Call Service.					
M028.007 / Config.	Display value is < 1600 h at Qmax. Change mass Unit or vol. Unit for Totalizer.	Current value - no change.	No Answer.	Current value - no change.	Current value - no change.	Menu '...Group Masking'.
M026.004 / Config.	Maintenance interval is reached. Perform maintenance.					
M024.008 / Config.	Device not calibrated. Call Service.	High Alarm or Low Alarm, depending on parameter 'Curr.Out at Alarm'.	Current value - no change.	Current value - no change.	Current value - no change.	Menu '...Group Masking'.
M020.027 / Electronics	Communicat. Card not responding	Current value - no change.	Current value - no change.	Current value - no change.	Current value - no change.	Menu '...Group Masking'.

## ... 9 Diagnosis / error messages

### Extended diagnostic functions

#### Overview

#### Note

- The extended diagnostic functions are only available on the ProcessMaster FEP630 and HygienicMaster FEH630 if the 'Extended diagnostic functions' software package has been ordered (see table) .
- The 'Partial Filling Detector' function is **not** available for HygienicMaster FEH630.
- To facilitate initial commissioning, the individual diagnosis options of the extended diagnostic functions are deactivated (factory default).
- Each diagnostic function (e.g. Gas Bubble Detector or Electrode Deposit Detector) can be individually activated. Once activated, the diagnostic function must be calibrated according to the conditions on site and the limit values must be set.

Diagnostic Functions	
Standard	Empty pipe detection (EPD)
	Partial filling detection (TFE)
	Noise / grounding check
	Fingerprint verification
	Service interval
	Transmitter temperature
Software package 'Extended diagnostic functions' (optional)	Coil/sensor temperature
	Coil inductance
	Gas bubble detection
	Conductivity monitoring
Filling function (optional)	Electrode impedance / Leakage Monitoring
	Filling function

#### Detection of partial filling

A partially filled sensor influences the measured values of the flow meter as well as the measuring accuracy.

If the flowmeter sensor is ordered with a full pipe detection electrode located at the top of the flowmeter sensor, the function '...Diagnosis Tfe' of the transmitter triggers an alarm when the meter tube goes into partial filling.

Requirements for use:

- Nominal diameter: > DN 50 (> 2 in)
- Flowmeter sensor Design Level A
- Conductivity of the measuring medium: 20 to 20000 µS/cm

Installation conditions:

- The flow sensor must be installed horizontally with the terminal box pointing upwards.

#### Setup

The partial filling detection must be matched to the measuring medium on site.

Menu / parameter	Description
Diagnostics / ...Diagnosis Control / ...Diagnosis Tfe	
Tfe On/Off	Activate the function.
Start Tfe Adjust	Automatic adjustment of the TFE function.
	Prior to starting, make sure that: <ul style="list-style-type: none"> <li>• There is no flow</li> <li>• Sensor is completely filled</li> </ul>
Manual Tfe Adjust	Manual adjustment of the TFE function.
Tfe Threshold	Manual fine adjustment of the switching threshold.
Actual Tfe Value	Display of the current TFE value.
	Above the TFE threshold, an alarm occurs, if configured.

### Detection of gas bubbles

Gas bubbles in the measuring medium influence the flow measurement values and the measuring accuracy.

It is possible to issue a gas bubble alarm if the actual gas bubble value exceeds the configured threshold.

This alarm message is shown on the display. The digital output triggers an alarm if configured accordingly.

Requirements for use:

- Nominal diameter DN 10 to DN 300 (3/8 to 12 in).
- Conductivity of the measuring medium: 20 to 20000 µS/cm.

Installation conditions:

- The flowmeter sensor can be installed either horizontally or vertically. Vertical installation is preferable.

### Setup

The gas bubble detection must be matched to the measuring medium on site.

Menu / parameter	Description
Diagnostics / ...Diagnosis Control / ...Diagnosis Gas Bub.	
Gas Bubble On/Off	Activate the function.
Start Adj Gas Bubble	Automatic adjustment of the Gas Bubble Detection function. Prior to starting, make sure that: <ul style="list-style-type: none"> <li>• There is no flow</li> <li>• Sensor is completely filled and free of gas bubbles</li> </ul>
Gas Bubble Threshold	Manual fine adjustment of the switching threshold.

### Monitoring the conductivity

The conductivity of the liquid can be monitored by setting minimum / maximum alarm thresholds.

As soon as the alarm thresholds are up-scaled, the digital output triggers an alarm, if configured accordingly.

The conductivity is available as 4 to 20 mA output (option card).

Requirements for use:

- Conductivity of the measuring medium: 20 to 20000 µS/cm.
- Nominal diameter DN 10 to 300 (3/8 to 12 in).

Installation conditions:

- The measuring electrodes must be free of coverings.

### Setup

The conductivity monitoring must be matched to the measuring medium on site.

Menu / parameter	Description
Diagnostics / ...Diagnosis Control / ...Diagnosis Conductiv	
Conductivity On/Off	Activate the function.
Conductivity [µS/cm]	Indicator of the conductivity in µS/cm.
Adj. Cond. Value	Measure the conductivity of the measuring medium using a conductivity meter on-site and enter the measured value here.
Cond. Iout Min Value	Set the 4 mA and 20 mA value which correspond
Cond. Iout Max Value	to the upper and lower range of the conductivity value.
Cond.Min Alarm Value	Set the alarm for minimum and maximum
Cond.Max Alarm Value	conductivity. In the case of down-scale, an alarm is triggered.
Elec. Imp. E1-GND	Impedance between electrode E1 and GND (ground potential).
Input/Output / ...Curr.Out V1/V2	
Output Value	Select 'Conductivity' to output the conductivity over the current output V1 / V2 Only with appropriate plug-in card.

## ... 9 Diagnosis / error messages

### ... Extended diagnostic functions

#### Monitoring the electrode impedance

The measurement monitors the impedance between the measuring electrode and grounding and activates an alarm if the impedance drops below a limit. The function is activated together with the conductivity measurement.

Requirements for use:

- Conductivity of the measuring medium: 20 to 20000 µS/cm.

Additional installation conditions:

- When using plastic piping, install a grounding plate at the front and back of the device.
- There must not be any deposits on the measuring electrodes.
- The measuring tube must always be completely full, and the measuring medium must have only minor deviations in conductivity.

#### Measurements on the flowmeter

##### Coil inductance, coil current, coil resistance

The diagnosis of the coil in the sensor includes coil inductance, current and resistance.

##### Flowmeter sensor temperature

The coil temperature monitoring triggers an alarm via the digital output, if configured.

The minimum and maximum alarm value for the coil temperature can be set.

The coil temperature is a function of the ambient temperature and measuring medium temperature.

Compliance with the temperature specification of the sensor liner can thus be monitored.

#### Setup

Menu / parameter	Description
Diagnostics / ...Diagnosis Control / ...Diagnosis Coil	
Coil Diag On/Off	Activate the function.
Coil Resistor	Display the coil resistance.
Coil Current	Display the coil current.
Coil Inductance	Display the coil inductance.
Coil Temperature	Display the coil temperature within the sensor.
Coil Temperature Adj	Measurement of coil temperature must be set in accordance with the conditions on-site. Temperature measured with a separate thermometer can be entered here.
Coil Temp. Min Alarm	Min. and max. alarm for the sensor temperature
Coil Temp. Max Alarm	(coil temperature). Can be used to monitor the temperature limit of the meter tube liner

#### Transmitter monitoring

Monitoring the temperature of the electronic unit in the transmitter triggers an alarm via the digital output, if configured.

In the '...Diagnosis Values', the current temperature as well as the smallest and largest previously measured temperature is displayed.



### Monitoring the grounding

The function checks for noise in the measuring signal and the electrical grounding of the device. While the check is in progress, no flow measurement can take place.

The noise / grounding check is started manually and delivers a 'successful / failed' result.

The measurements (Power Spectrum, Amplitude 1 to 4 and Frequency 1 to 4) will help if the noise / grounding check fails.

Requirements for use:

- The sensor must be filled completely with measuring medium.
- There is no flow through the sensor (close all valves, shut-off devices etc.)
- The sensor must be grounded (see **Sensor grounding** on page 29).
- There may not be any deposits on the measuring electrodes.

Menu / parameter	Description
Diagnostics / ...Diagnosis Control / ...Noise Check	
Start Noise Check	Start of test
Result Noise Check	Test result
Power Spectrum	Current power spectrum.
Amplitude 1 Value ... 4	Display of the four strongest amplitudes of the
Frequency 1 ... 4	frequency spectrum in $\mu\text{V}$ with the associated frequency.

## Verification

### Fingerprint database

The sensor and transmitter fingerprint stored in the SensorMemory allows you to compare the state of the device at the time of manufacture at the factory with the current state of the device at the customer site.

The check is started manually and returns a 'successful / failed' result.

If the verification is unsuccessful, troubleshooting information is shown on the display (parameter 'Rslt FP Verification').

A software tool (ABB Ability SRV500) is available for documentation and trend analysis.

### Setup

Menu / parameter	Description
Diagnostics / ...Diagnosis Control / ...Fingerprints	
Tx Factory CMR, 1m/s, 10m/s	Display of transmitter fingerprint (factory fingerprint)
Se Factory Coil Ind.	Display coil impedance fingerprint
Se Factory Imp. E1	Display electrode impedance fingerprint E1-GND,
Se Factory Imp.E2	E2-GND
Strt FP Verification	Start of test
Rslt FP Verification	Test result
Tx Customer CMR, 1m/s, 10m/s	Display of transmitter fingerprint (customer fingerprint)
Se Customer Coil Ind	Display coil impedance fingerprint
Se Customer Imp. E1	Display electrode impedance fingerprint E1-GND,
Se Customer Imp. E2	E2-GND

# 10 Maintenance

## Safety instructions

### **WARNING**

#### **Risk of injury due to live parts!**

When the housing is open, contact protection is not provided and EMC protection is limited.

- Before opening the housing, switch off the power supply.

### **WARNING**

#### **Loss of Ex-approval!**

Loss of Ex approval due to replacement of components in devices for use in potentially explosive atmospheres.

- Devices for use in potentially explosive atmospheres may be serviced and repaired by qualified ABB personnel only.
- For measuring devices for potentially explosive atmospheres, observe the relevant operator guidelines.

### **CAUTION**

#### **Risk of burns due to hot measuring media**

The device surface temperature may exceed 70 °C (158 °F), depending on the measuring medium temperature!

- Before starting work on the device, make sure that it has cooled sufficiently.

### **NOTICE**

#### **Damage to components!**

The electronic components of the printed circuit board can be damaged by static electricity (observe ESD guidelines).

- Make sure that the static electricity in your body is discharged before touching electronic components.

Corrective maintenance work may only be performed by trained personnel.

- Before removing the device, depressurize it along with any adjacent lines or vessels.
- Check whether hazardous materials have been used as measuring medium before opening the device. Residual amounts of hazardous material may still be present in the device and could escape when it is opened.

Within the scope of operator responsibility, check the following as part of a regular inspection:

- pressure-carrying walls / pressure equipment liner
- the measurement-related function
- the leak tightness
- the wear (corrosion)

## Sensor

The flowmeter sensor is largely maintenance-free.

The following items should be checked annually:

- Ambient conditions (air circulation, humidity).
- Tightness of the process connections.
- Cable entries, cover gaskets and cover screws.
- Operational reliability of power supply, lightning protection and grounding.

The sensor electrodes must be cleaned when the flow rate information on the transmitter changes while recording the identical flow rate volume.

If the display shows a higher flowrate, the contamination is insulating. If a lower flowrate is displayed, the contamination results in a short-circuit.

For repairs to the liner, electrodes or magnet coil, the flowmeter must be returned to the manufacturer.

See **Returning devices** on page 129.

### Gaskets

Some device designs are shipped with special gaskets. These gaskets must be used and installed properly to prevent leakage and guarantee 3A and EHEDG conformity.

For all other device designs, use commercially available gaskets made from a compatible material for the measuring medium and prevailing temperature (rubber, PTFE, It, EPDM, silicon, Viton, etc.) or use 3A-compliant gasket material for HygienicMaster devices.

A wafer type sensor is installed without gaskets directly in the pipeline.

### Cleaning

When cleaning the exterior of meters, make sure that the cleaning agent used does not corrode the housing surface and the seals.

To avoid static charge, a damp cloth must be used for cleaning.

## 11 Repair

### Safety instructions

#### **DANGER**

##### **Danger of explosion if the device is operated with the transmitter housing or terminal box open!**

While using the device in potentially explosive atmospheres before opening the transmitter housing or the terminal box, note the following points:

- A valid fire permit must be present.
- Make sure that no flammable or hazardous atmospheres are present.

#### **WARNING**

##### **Risk of injury due to live parts!**

When the housing is open, contact protection is not provided and EMC protection is limited.

- Before opening the housing, switch off the power supply.

#### **WARNING**

##### **Loss of Ex-approval!**

Loss of Ex approval due to replacement of components in devices for use in potentially explosive atmospheres.

- Devices for use in potentially explosive atmospheres may be serviced and repaired by qualified ABB personnel only.
- For measuring devices for potentially explosive atmospheres, observe the relevant operator guidelines.

#### **CAUTION**

##### **Risk of burns due to hot measuring media**

The device surface temperature may exceed 70 °C (158 °F), depending on the measuring medium temperature!

- Before starting work on the device, make sure that it has cooled sufficiently.

#### **NOTICE**

##### **Damage to components!**

The electronic components of the printed circuit board can be damaged by static electricity (observe ESD guidelines).

- Make sure that the static electricity in your body is discharged before touching electronic components.

## ... 11 Repair

### Spare parts

Repair and maintenance activities may only be performed by authorized customer service personnel.

When replacing or repairing individual components, use original spare parts.

#### Note

Spare parts can be ordered from ABB Service.

[www.abb.com/contacts](http://www.abb.com/contacts)

### Replacing the fuse

#### NOTICE

If the O-ring gasket is seated incorrectly or damaged, this may have an adverse effect on the housing protection class.

Follow the instructions in **Opening and closing the housing** on page 23 to open and close the housing safely.

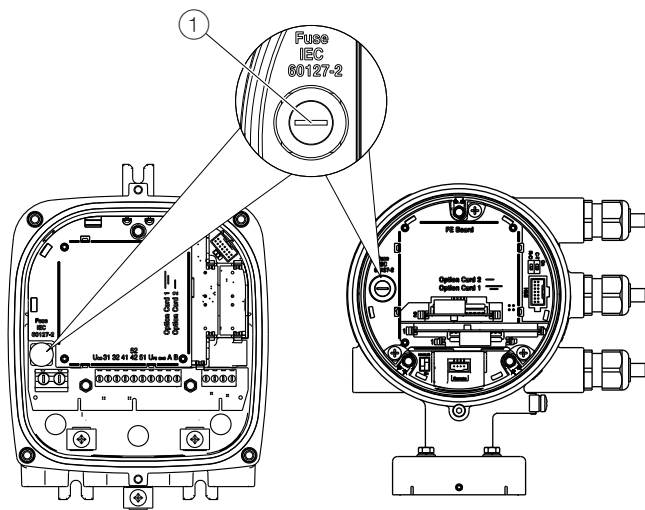
There is a fuse in the transmitter housing.

Power supply	11 to 30 V DC	100 to 240 V AC
<b>transmitter</b>		
Rated current of fuse	1.25 A	0.8 A
Nominal voltage of fuse	250 V AC	250 V AC
Design	Device fuse 5 x 20 mm	
Breaking capacity	1500 A at 250 V AC	
Ordering number	3KQR000757U0100	3KQR000757U0200

Perform the following steps to replace the fuse:

1. Switch off the power supply.
2. Open the transmitter housing.
3. Pull out the defective fuse and insert a new fuse.
4. Closing the transmitter housing.
5. Switch on the power supply.
6. Check that the device is working correctly.

If the fuse blows again on activation, the device is defective and must be replaced.

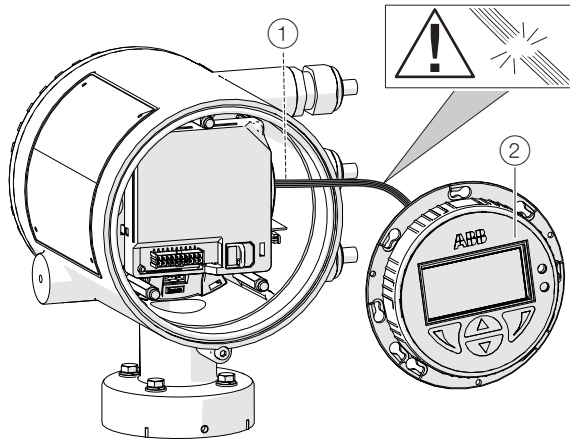


① Fuse holder

Figure 77: Fuse holder position

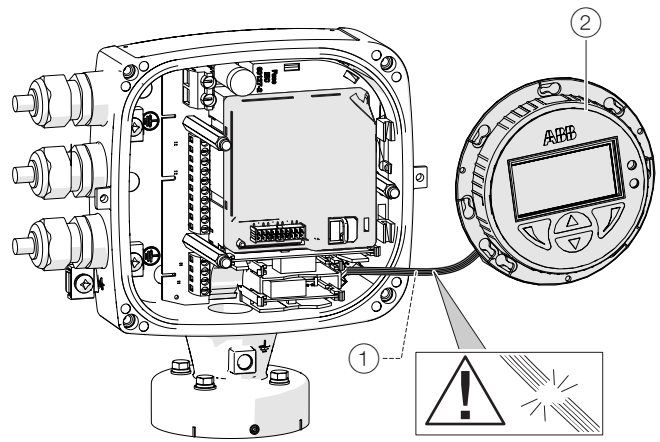
## Replacing the LCD indicator

Dual-compartment housing



① LCD indicator cable harness

Single-compartment housing



② LCD indicator

Figure 78: Replacing the LCD Indicator (example)

### NOTICE

If the O-ring gasket is seated incorrectly or damaged, this may have an adverse effect on the housing protection class. Follow the instructions in **Opening and closing the housing** on page 23 to open and close the housing safely.

The LCD indicator can be replaced in the event of a malfunction.

Component	Ordering number
LCD indicator (HMI)	3KQZ407125U0100
For integral mount and remote mount design	

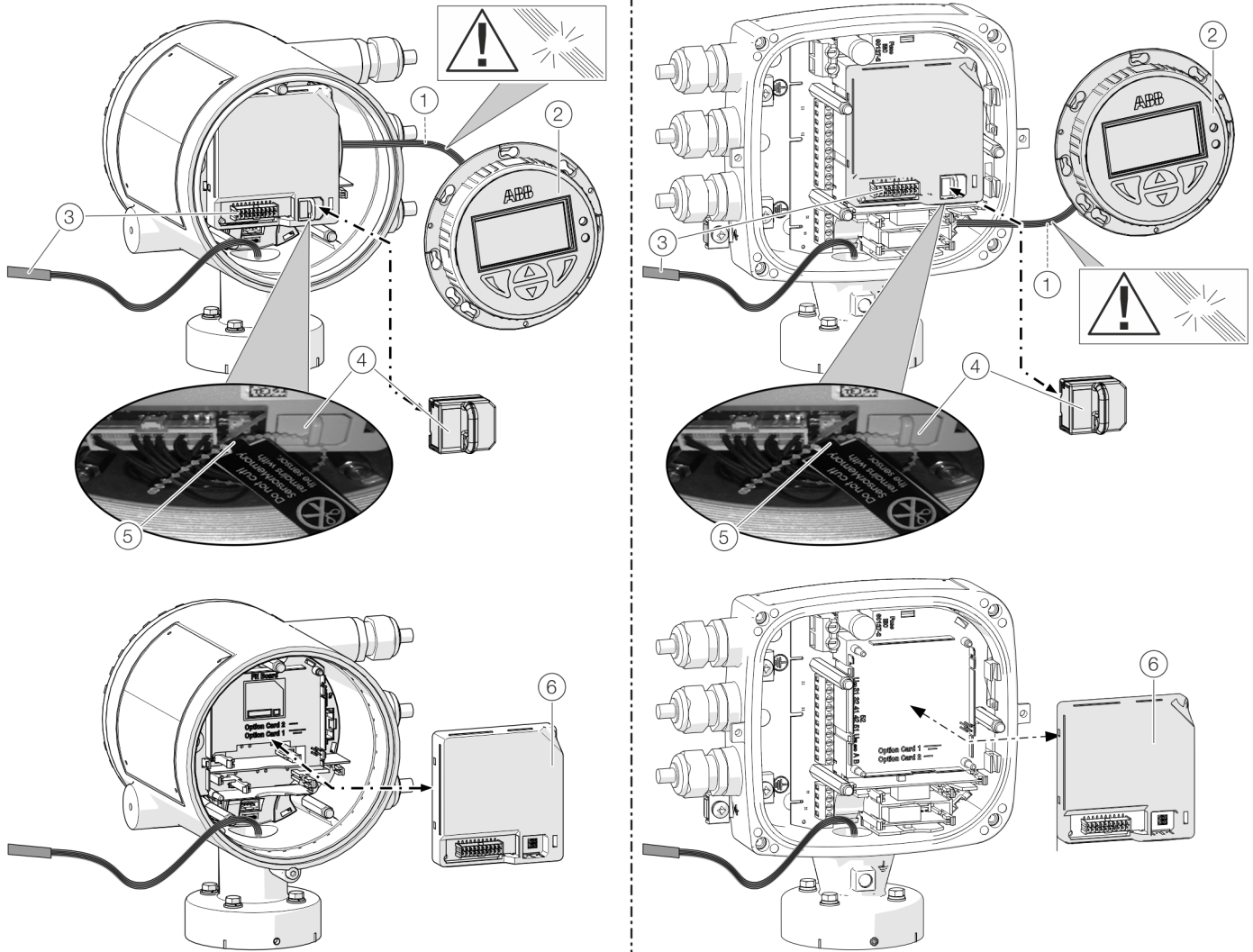
Replace the LCD indicator by following the steps below:

1. Switch off the power supply.
2. Unscrew / remove the cover.
3. Loosen fixing screws for LCD indicator (only in integral mount design).
4. Remove the LCD indicator.
5. Pull the connector out of the motherboard.
6. Attach the connector on the new LCD indicator. Ensure that the cable harness is not damaged.
7. Insert the LCD indicator and tighten if necessary.
8. Unscrew / set down the cover once again
9. Switch on the power supply.

# ... 11 Repair

## Replacing the frontend board

Integral mount design



- ① LCD indicator cable harness
- ② LCD indicator
- ③ Sensor cable harness

- ④ SensorMemory
- ⑤ Cable retainer
- ⑥ Frontend board

Figure 79: Replacing LCD indicator and frontend board (example)

**NOTICE**

**If the O-ring gasket is seated incorrectly or damaged, this may have an adverse effect on the housing protection class.**

Follow the instructions in **Opening and closing the housing** on page 23 to open and close the housing safely.

In the event of a fault, the frontend board can be replaced on flowmeters with an integral mount design.

Replace the frontend board as follows:

1. Switch off the power supply.
2. Unscrew / remove the cover.
3. Remove the LCD indicator. Ensure that the cable harness is not damaged.
4. Pull the connector out of the sensor cable harness.
5. Pull out the SensorMemory.

**Note**

The SensorMemory is assigned to the sensor. The SensorMemory is therefore fastened to the sensor cable harness with a cable retainer.

Ensure that the SensorMemory remains with the sensor and cannot be lost!

6. Pull the faulty frontend board out forwards.
7. Insert new frontend board.
8. Attach connector from the sensor cable harness.
9. Attach the SensorMemory.
10. Insert the LCD indicator and screw on /replace the cover.
11. Once the power supply is switched on, load the system data from the SensorMemory.

## ... 11 Repair

### ... Replacing the frontend board

#### Remote mount design

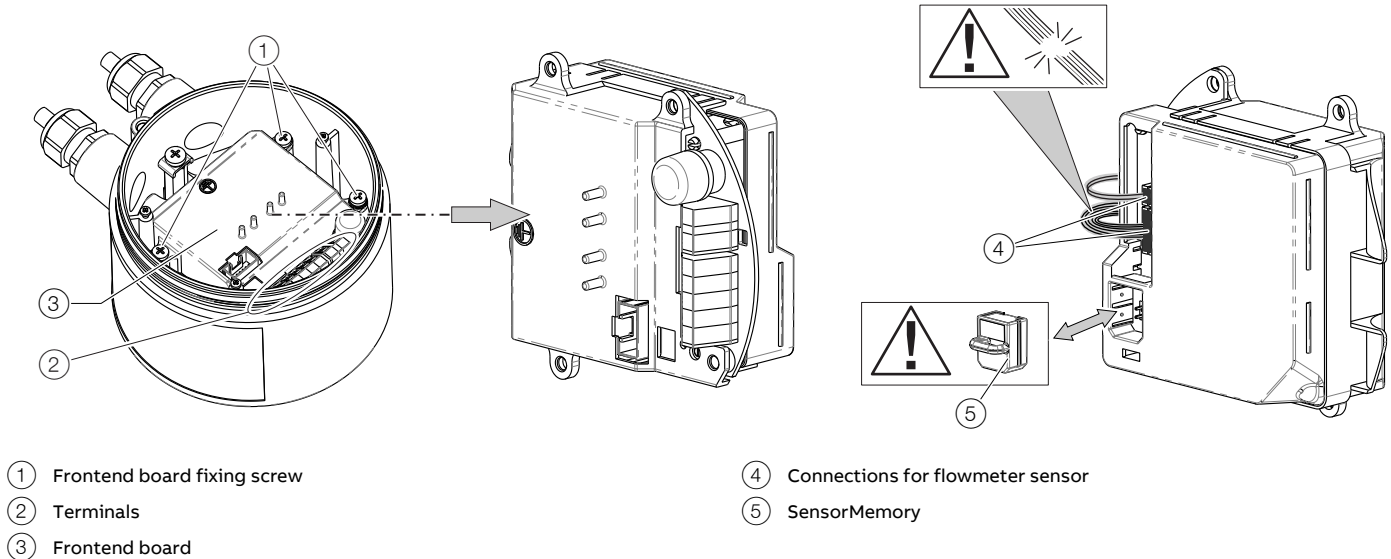


Figure 80: Replacing the frontend board (flowmeter sensor)

### NOTICE

**If the O-ring gasket is seated incorrectly or damaged, this may have an adverse effect on the housing protection class.** Follow the instructions in **Opening and closing the housing** on page 23 to open and close the housing safely.

The frontend board can be replaced in the event of a malfunction.

Replace the frontend board as follows:

1. Switch off the power supply.
2. Unscrew / remove the cover.
3. Loosen the fixing screws (3×) at the frontend board.
4. Remove the faulty frontend board.
5. Pull the connector out of the sensor cable harness. Ensure that the cable harness is not damaged.
6. Pull out the SensorMemory.

### Note

The SensorMemory is assigned to the sensor. Ensure that the SensorMemory remains with the sensor and cannot be lost!

7. Insert the SensorMemory into the new frontend board.
8. Connect the plug of the sensor cable harness.
9. Insert the new frontend board and secure it with the fixing screws (3×).
10. After powering up the power supply, the transmitter automatically replicates the system data from the SensorMemory.



## Replacing the sensor

### WARNING

#### Risk of injury due to process conditions.

The process conditions, for example high pressures and temperatures, toxic and aggressive measuring media, can give rise to hazards when working on the device.

- Before working on the device, make sure that the process conditions do not pose any hazards.
- If necessary, wear suited personal protective equipment when working on the device.
- Depressurize and empty the device / piping, allow to cool and purge if necessary.

### NOTICE

**If the O-ring gasket is seated incorrectly or damaged, this may have an adverse effect on the housing protection class.**

Follow the instructions in **Opening and closing the housing** on page 23 to open and close the housing safely.

#### Note

The frontend board of the replacement sensor has a SensorMemory module.

The calibration and system data of the sensor is stored in the SensorMemory.

After powering-up the power supply, the transmitter automatically replicates the system data from the SensorMemory.

Replace the sensor as described below:

1. Switch off the power supply.
2. Unscrew / remove the cover.
3. Disconnect the signal cable (if necessary, remove the potting compound).
4. Install the new sensor in accordance with **Installation** on page 15.
5. Complete the electrical connection in accordance with **Electrical connections** on page 29.
6. Unscrew / set down the cover once again
7. After powering-up the power supply, the transmitter automatically replicates the system data from the SensorMemory.

## Returning devices

Use the original packaging or a secure transport container of an appropriate type if you need to return the device for repair or recalibration purposes.

Fill out the return form (see **Return form** on page 143) and include this with the device.

In accordance with the EU Directive governing hazardous materials, the owner of hazardous waste is responsible for its disposal or must observe the following regulations for shipping purposes:

All devices delivered to ABB must be free from any hazardous materials (acids, alkalis, solvents, etc.).

Address for returns:

Please contact Customer Center Service according to page 6 for nearest service location.

## 12 Recycling and disposal

### Dismounting

#### **WARNING**

##### **Risk of injury due to process conditions.**

The process conditions, for example high pressures and temperatures, toxic and aggressive measuring media, can give rise to hazards when dismantling the device.

- If necessary, wear suited personal protective equipment during disassembly.
- Before disassembly, make sure that the process conditions do not pose any safety risks.
- Depressurize and empty the device / piping, allow to cool and purge if necessary.

Bear the following points in mind when dismantling the device:

- Switch off the power supply.
- Disconnect electrical connections.
- Allow the device / piping to cool and depressurize and empty. Collect any escaping medium and dispose of it in accordance with environmental guidelines.
- Use suited tools to disassemble the device, taking the weight of the device into consideration.
- If the device is to be used at another location, the device should preferably be packaged in its original packing so that it cannot be damaged.
- Observe the notices in **Returning devices** on page 129.

### Disposal

#### Note



Products that are marked with the adjacent symbol may **not** be disposed of as unsorted municipal waste (domestic waste).

They should be disposed of through separate collection of electric and electronic devices.

This product and its packaging are manufactured from materials that can be recycled by specialist recycling companies.

Bear the following points in mind when disposing of them:

- As of 8/15/2018, this product will be under the open scope of the WEEE Directive 2012/19/EU and relevant national laws (for example, ElektroG - Electrical Equipment Act - in Germany).
- The product must be supplied to a specialist recycling company. Do not use municipal waste collection points. These may be used for privately used products only in accordance with WEEE Directive 2012/19/EU.
- If there is no possibility to dispose of the old equipment properly, our Service can take care of its pick-up and disposal for a fee.

## 13 Specification

### Note

The device data sheet is available in the ABB download area at [www.abb.com/flow](http://www.abb.com/flow).

### Permitted pipe vibration

In accordance with EN 60068-2-6

Valid for sensors in remote mount and integral mount design.

- Maximum deflection: 0.15 mm (0.006 in) in the frequency range of 10 to 58 Hz
- Maximum acceleration: 2 g in the frequency range of 58 to 150 Hz

### ProcessMaster – Temperature data

The temperature range offered by the device is dependent on a number of different factors.

These factors include the measuring medium temperature

$T_{\text{medium}}$ , the ambient temperature  $T_{\text{amb}}$ , operating pressure

$P_{\text{medium}}$ , liner material and the approval for explosion protection.

### Storage temperature range

–40 to 70 °C (–40 to 158 °F)

### Maximum permissible cleaning temperature

CIP media	Liner	Cleaning temperature
Steam	PTFE, PFA	150 °C (302 °F)
Cleaning fluid	PTFE, PFA	140 °C (284 °F)

- The maximum cleaning temperature specified applies to a maximum ambient temperature of 25 °C (77 °F). If the ambient temperature up-scales > 25 °C (> 77 °F), then the temperature difference to the current temperature must be subtracted from the max. cleaning temperature.
- The specified cleaning temperature may have an effect for a maximum of 60 minutes.

## ... 13 Specification

### ... ProcessMaster – Temperature data

#### Maximum ambient temperature depending on measuring medium temperature

##### Integral mount design

##### Flowmeter sensor in standard version

Lining material	Flange material	Ambient temperature range ( $T_{amb}$ )		Measuring medium temperature ( $T_{medium}$ )	
		Minimum	Maximum	Minimum	Maximum
Hard rubber	Steel	-10 °C (14 °F)	60 °C (140 °F)	-10 °C (14 °F)	85 °C (185 °F)
				-5 °C (23 °F)*	80 °C (176 °F) *
Hard rubber	Stainless steel	-15 °C (5 °F)	60 °C (140 °F)	-15 °C (5 °F)	85 °C (185 °F)
				-5 °C (23 °F) *	80 °C (176 °F) *
Soft rubber	Steel	-10 °C (14 °F)	60 °C (140 °F)	-10 °C (14 °F)	60 °C (140 °F)
Soft rubber	Stainless steel	-15 °C (5 °F)	60 °C (140 °F)	-15 °C (5 °F)	60 °C (140 °F)
PTFE	Steel	-10 °C (14 °F)	60 °C (140 °F)	-10 °C (14 °F)	90 °C (194 °F)
			45 °C (113 °F)		130 °C (266 °F)
PTFE	Stainless steel	-20 °C (-4 °F)	60 °C (140 °F)	-25 °C (-13 °F)	90 °C (194 °F)
		-40 °C (-40 °F)**	45 °C (113 °F)		130 °C (266 °F)
Thick PTFE***	Steel	-10 °C (14 °F)	60 °C (140 °F)	-10 °C (14 °F)	90 °C (194 °F)
			45 °C (113 °F)		130 °C (266 °F)
Thick PTFE***	Stainless steel	-20 °C (-4 °F)	60 °C (140 °F)	-25 °C (-13 °F)	90 °C (194 °F)
		-40 °C (-40 °F)**	45 °C (113 °F)		130 °C (266 °F)
PFA***	Steel	-10 °C (14 °F)	60 °C (140 °F)	-10 °C (14 °F)	90 °C (194 °F)
			45 °C (113 °F)		130 °C (266 °F)
PFA***	Stainless steel	-20 °C (-4 °F)	60 °C (140 °F)	-25 °C (-13 °F)	90 °C (194 °F)
		-40 °C (-40 °F) **	45 °C (113 °F)		130 °C (266 °F)
ETFE***	Steel	-10 °C (14 °F)	60 °C (140 °F)	-10 °C (14 °F)	90 °C (194 °F)
			45 °C (113 °F)		130 °C (266 °F)
ETFE***	Stainless steel	-20 °C (-4 °F)	60 °C (140 °F)	-25 °C (-13 °F)	90 °C (194 °F)
		-40 °C (-40 °F)**	45 °C (113 °F)		130 °C (266 °F)
Linatex*	Steel	-10 °C (14 °F)	60 °C (140 °F)	-10 °C (14 °F)	70 °C (158 °F)
Linatex*	Stainless steel	-20 °C (-4 °F)	60 °C (140 °F)	-20 °C (-4 °F)	70 °C (158 °F)
Ceramic carbide	Steel	-10 °C (14 °F)	60 °C (140 °F)	-10 °C (14 °F)	80 °C (176 °F)
Ceramic carbide	Stainless steel	-20 °C (-4 °F)	60 °C (140 °F)	-20 °C (-4 °F)	80 °C (176 °F)

\* Only for China production site

\*\* For (optional) low-temperature version only

\*\*\* Only for design level 'A'

**Flowmeter sensor in high temperature version\*\*\***

Lining material	Flange material	Ambient temperature range (T <sub>amb</sub> )		Measuring medium temperature (T <sub>medium</sub> )	
		Minimum	Maximum	Minimum	Maximum
Thick PTFE***	Steel	-10 °C (14 °F)	60 °C (140 °F)	-10 °C (14 °F)	180 °C (356 °F)
Thick PTFE***	Stainless steel	-20 °C (-4 °F)	60 °C (140 °F)	-20 °C (-4 °F)	180 °C (356 °F)
		-40 °C (-40 °F)**			
PFA***	Steel	-10 °C (14 °F)	60 °C (140 °F)	-10 °C (14 °F)	180 °C (356 °F)
PFA***	Stainless steel	-20 °C (-4 °F)	60 °C (140 °F)	-20 °C (-4 °F)	180 °C (356 °F)
		-40 °C (-40 °F)**			
ETFE***	Steel	-10 °C (14 °F)	60 °C (140 °F)	-10 °C (14 °F)	130 °C (266 °F)
ETFE***	Stainless steel	-20 °C (-4 °F)	60 °C (140 °F)	-20 °C (-4 °F)	130 °C (266 °F)
		-40 °C (-40 °F)**			

\* Only for China production site

\*\* For (optional) low-temperature version only

\*\*\* Only for design level 'A'

## ... 13 Specification

### ... ProcessMaster – Temperature data

#### Remote mount design

Flowmeter sensor in standard version					
Lining material	Flange material	Ambient temperature range ( $T_{amb}$ )		Measuring medium temperature ( $T_{medium}$ )	
		Minimum	Maximum	Minimum	Maximum
Hard rubber	Steel	-10 °C (14 °F)	60 °C (140 °F)	-10 °C (14 °F)	85 °C (185 °F)
				-5 °C (23 °F)*	80 °C (176 °F)*
Hard rubber	Stainless steel	-15 °C (5 °F)	60 °C (140 °F)	-15 °C (5 °F)	85 °C (185 °F)
				-5 °C (23 °F)*	80 °C (176 °F) *
Soft rubber	Steel	-10 °C (14 °F)	60 °C (140 °F)	-10 °C (14 °F)	60 °C (140 °F)
Soft rubber	Stainless steel	-15 °C (5 °F)	60 °C (140 °F)	-15 °C (5 °F)	60 °C (140 °F)
PTFE	Steel	-10 °C (14 °F)	60 °C (140 °F)	-10 °C (14 °F)	130 °C (266 °F)
PTFE	Stainless steel	-25 °C (-13 °F)	60 °C (140 °F)	-25 °C (-13 °F)	130 °C (266 °F)
				-40 °C (-40 °F)**	
Thick PTFE***	Steel	-10 °C (14 °F)	60 °C (140 °F)	-10 °C (14 °F)	130 °C (266 °F)
Thick PTFE***	Stainless steel	-25 °C (-13 °F)	60 °C (140 °F)	-25 °C (-13 °F)	130 °C (266 °F)
				-40 °C (-40 °F)**	
PFA***	Steel	-10 °C (14 °F)	60 °C (140 °F)	-10 °C (14 °F)	130 °C (266 °F)
PFA***	Stainless steel	-25 °C (-13 °F)	60 °C (140 °F)	-25 °C (-13 °F)	130 °C (266 °F)
				-40 °C (-40 °F)**	
ETFE***	Steel	-10 °C (14 °F)	60 °C (140 °F)	-10 °C (14 °F)	130 °C (266 °F)
ETFE***	Stainless steel	-25 °C (-13 °F)	60 °C (140 °F)	-25 °C (-13 °F)	130 °C (266 °F)
Linatex*	Steel	-10 °C (14 °F)	60 °C (140 °F)	-10 °C (14 °F)	70 °C (158 °F)
Linatex*	Stainless steel	-20 °C (-4 °F)	60 °C (140 °F)	-20 °C (-4 °F)	70 °C (158 °F)
Ceramic carbide	Steel	-10 °C (14 °F)	60 °C (140 °F)	-10 °C (14 °F)	80 °C (176 °F)
Ceramic carbide	Stainless steel	-25 °C (-13 °F)	60 °C (140 °F)	-20 °C (-4 °F)	80 °C (176 °F)

\* Only for China production site

\*\* For (optional) low-temperature version only

\*\*\* Only for design level 'A'

**Flowmeter sensor in high temperature version\*\*\***

Lining material	Flange material	Ambient temperature range (T <sub>amb.</sub> )		Measuring medium temperature (T <sub>medium</sub> )	
		Minimum	Maximum	Minimum	Maximum
Thick PTFE***	Steel	-10 °C (14 °F)	60 °C (140 °F)	-10 °C (14 °F)	180 °C (356 °F)
Thick PTFE***	Stainless steel	-25 °C (-13 °F)	60 °C (140 °F)	-25 °C (-13 °F)	180 °C (356 °F)
		-40 °C (-40 °F)**			
PFA***	Steel	-10 °C (14 °F)	60 °C (140 °F)	-10 °C (14 °F)	180 °C (356 °F)
PFA***	Stainless steel	-25 °C (-13 °F)	60 °C (140 °F)	-25 °C (-13 °F)	180 °C (356 °F)
		-40 °C (-40 °F)**			
ETFE	Steel	-10 °C (14 °F)	60 °C (140 °F)	-10 °C (14 °F)	130 °C (266 °F)
ETFE	Stainless steel	-25 °C (-13 °F)	60 °C (140 °F)	-25 °C (-13 °F)	130 °C (266 °F)
		-40 °C (-40 °F)**			

\* Only for China production site

\*\* For (optional) low-temperature version only

\*\*\* Only for design level 'A'

## ... 13 Specification

### ProcessMaster – Material load for process connections

The limits of the permissible measuring medium temperature ( $T_{\text{medium}}$ ) and permissible pressure ( $P_{\text{medium}}$ ) are calculated on the basis of the liner and flange material used in the device (see device name plate).

#### Minimum permissible operating pressure

The following tables show the permissible minimum operating pressure ( $P_{\text{medium}}$ ) as a function of the measuring medium temperature ( $T_{\text{medium}}$ ) and the liner material.

#### Design Level 'A'



Lining material	Nominal diameter	$P_{\text{medium}}$ [mbar abs]	$T_{\text{medium}}^*$
Hard rubber	DN 25 to DN 2000 (1 to 80 in)	0	< 85 °C (185 °F) < 80 °C (176 °F)**
	Soft rubber	DN 50 to DN 2000 (2 to 80 in)	0
PTFE	DN 10 to DN 600 ( $\frac{3}{8}$ to 24 in)	270	< 20 °C (68 °F)
		400	< 100 °C (212 °F)
		500	< 130 °C (266 °F)
Thick PTFE	DN 25 to DN 80 (1 to 3 in)	0	< 180 °C (356 °F)
	DN 100 to DN 250 (4 to 10 in)	67	< 180 °C (356 °F)
	DN 300 (12 in)	27	< 180 °C (356 °F)
PFA	DN 3 to DN 200 ( $\frac{1}{16}$ to 8 in)	0	< 180 °C (356 °F)
ETFE	DN 25 to DN 600 (1 to 24 in)	100	< 130 °C (266 °F)
Ceramic carbide	DN 25 to DN 1000 (1 to 40 in)	0	< 80 °C (176 °F)
Linatex**	DN 50 to DN 600 (6 to 24 in)	0	< 70 °C (158 °F)

\* For CIP/SIP cleaning, higher temperatures are permitted for limited time periods; refer to **Maximum permissible cleaning temperature** on page 131.

\*\* Only for China production site

#### Design level 'B'



Lining material	Nominal diameter	$P_{\text{medium}}$ [mbar abs]	$T_{\text{medium}}^*$
PTFE	DN 25 to DN 300 (1 to 12 in)	270	< 20 °C (68 °F)
		400	< 100 °C (212 °F)
		500	< 130 °C (266 °F)

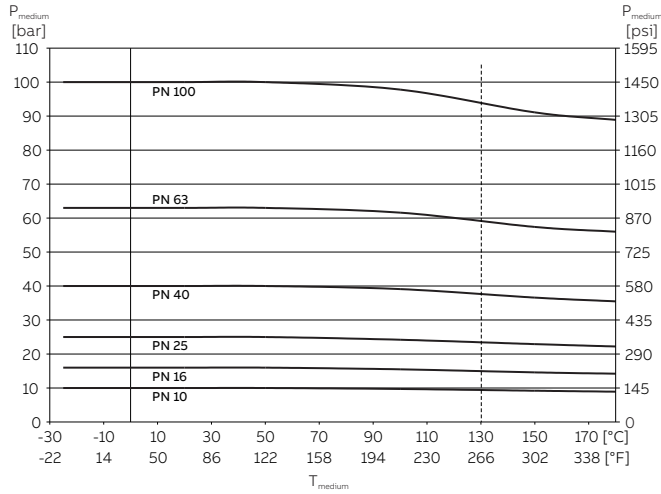
\* For CIP/SIP cleaning, higher temperatures are permitted for limited time periods; refer to **Maximum permissible cleaning temperature** on page 131.

Liner approvals on request; please contact ABB.

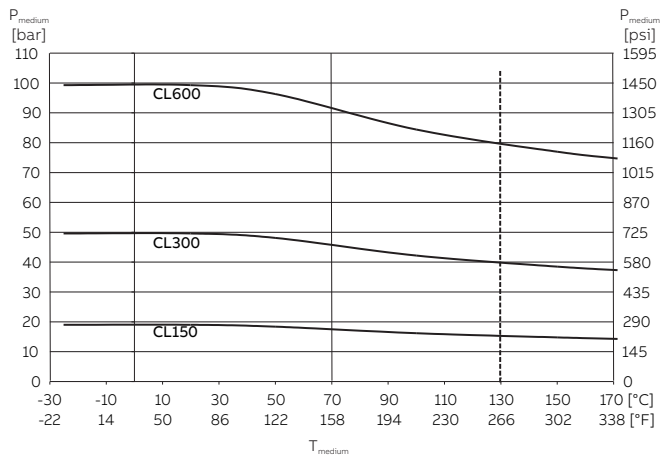


**Material load**

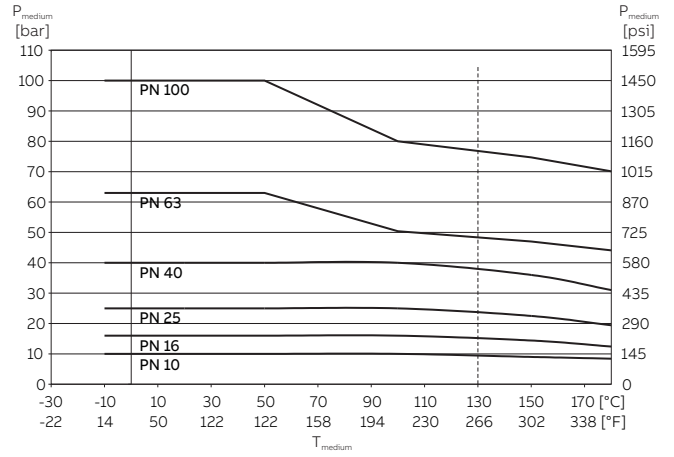
**Flowmeter sensor Design Level 'A'**



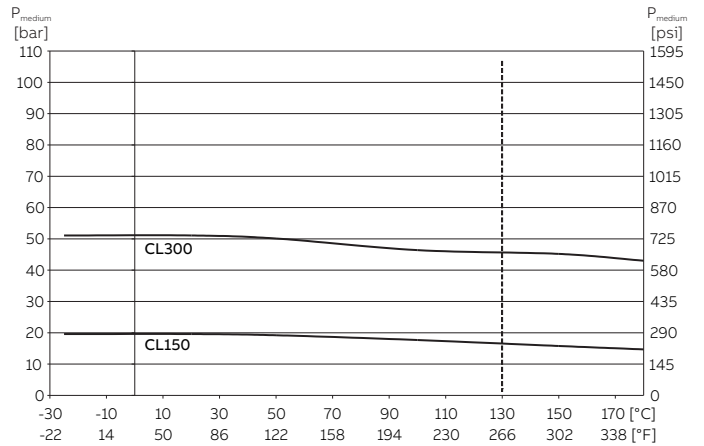
**Figure 81: DIN-flange, stainless steel, to DN 600 (24 in); Design Level 'A'**



**Figure 82: ASME-flange, stainless steel, to DN 400 (16 in) (CL150/300) to DN 1000 (40 in) (CL150); Design Level 'A'**



**Figure 83: DIN flange, steel up to DN 600 (24 in); Design Level 'A'**



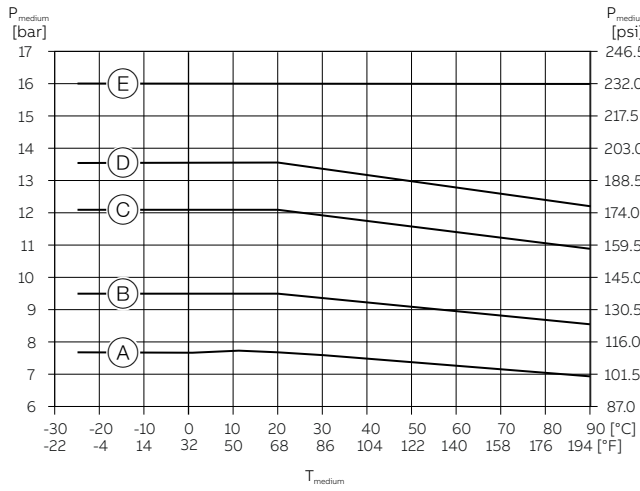
**Figure 84: ASME-flange, steel up to DN 400 (16 in) (CL150/300) to DN 1000 (40 in) (CL150); Design Level 'A'**

**JIS 10K-B2210 flange**

DN	Material	PN	T <sub>medium</sub>	P <sub>medium</sub>
DN 32 to 400 (1 ¼ to 16 in)	Stainless steel	10	-25 to 180 °C (-13 to 356 °F)	10 bar (290 psi) (145 psi)
DN 32 to 400 (1 ¼ to 16 in)	Steel	10	-10 to 180 °C (14 to 356 °F)	10 bar (290 psi) (145 psi)

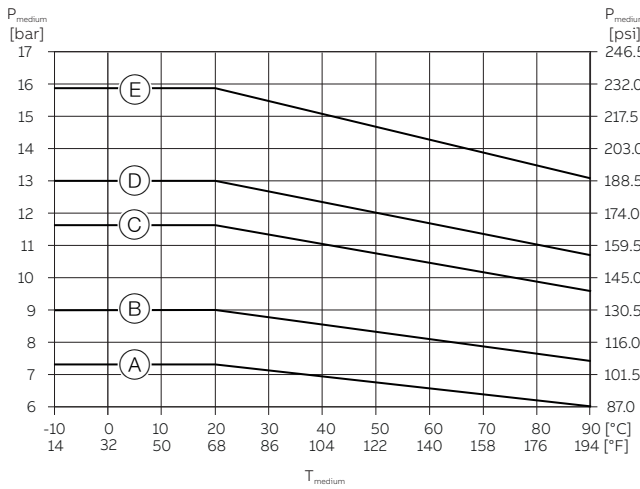
# ... 13 Specification

## ... ProcessMaster – Material load for process connections



- (A) DN 1000, PN 10
- (B) DN 700, DN800, DN900, PN 10
- (C) DN 1000, PN 16
- (D) DN 900, DN 800, PN 16
- (E) DN 700, PN 16

Figure 85: DIN-flange, stainless steel, up to DN 700 (28 in) to DN 1000 (40 in); Design Level 'A'



- (A) DN 1000, PN 10
- (B) DN 700, DN800, DN900, PN 10
- (C) DN 1000, PN 16
- (D) DN 900, DN 800, PN 16
- (E) DN 700, PN 16

Figure 86: DIN-flange, steel, up to DN 700 (28 in) to DN 1000 (40 in); Design Level 'A'

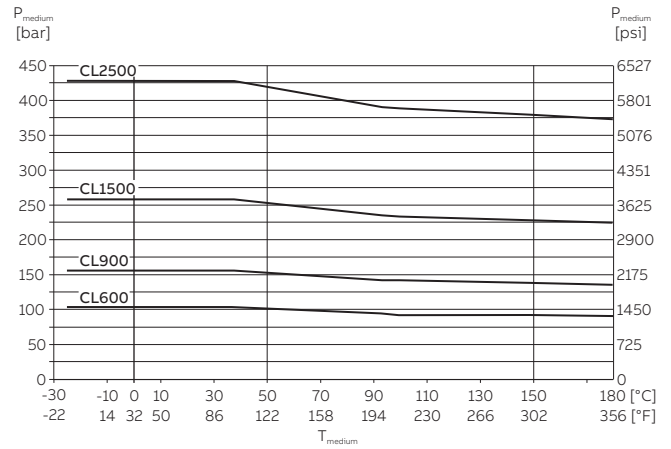


Figure 87: ASME flange, steel, DN 25 to 400 (1 to 24 in); Design Level 'A'

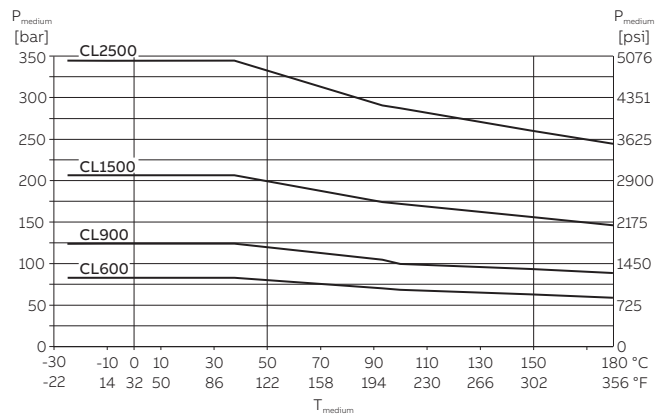
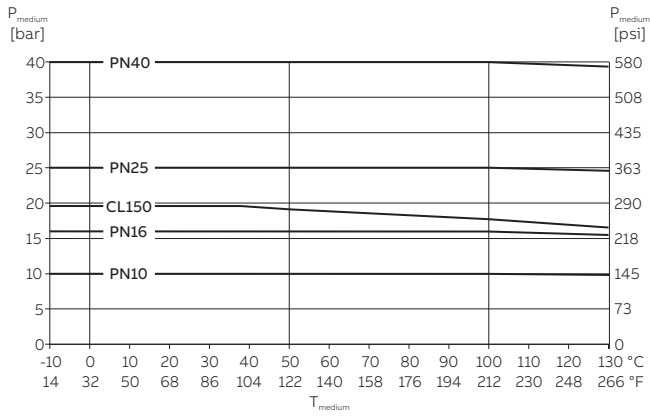
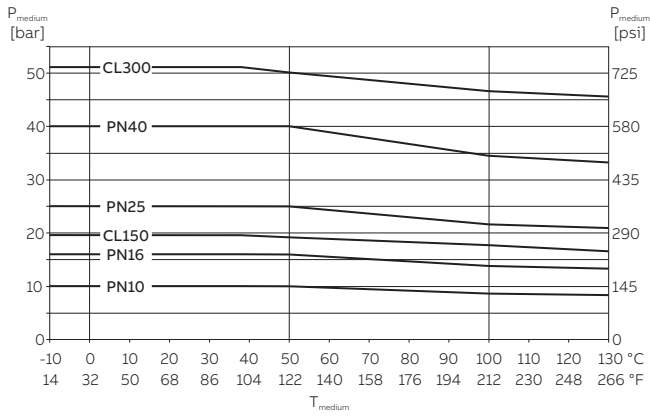


Figure 88: ASME flange, stainless steel, DN 25 to 400 (1 to 24 in); Design Level 'A'

**Flowmeter sensor Design Level 'B'**



**Figure 89: Cast iron housing, DN 25 to 600 (1 to 24 in); Design Level 'B'**



**Figure 90: Welded tubular steel housing, DN 25 to 600 (1 to 24 in); Design Level 'B'**

## ... 13 Specification

### HygienicMaster - Temperature data

The temperature range offered by the device is dependent on a number of different factors.

These factors include the measuring medium temperature

$T_{medium}$ , the ambient temperature  $T_{amb}$ , operating pressure

$P_{medium}$ , liner material and the approval for explosion protection.

#### Maximum Allowable Temperature Shock

Maximum allowable temperature shock difference in °C: Any

Temperature gradient °C/min: Any

#### Storage temperature range

-40 to 70 °C (-40 to 158 °F)

#### Maximum permissible cleaning temperature

CIP media	Liner	Cleaning temperature
Steam	PTFE, PFA	150 °C (302 °F)
Cleaning fluid	PTFE, PFA	140 °C (284 °F)

- The maximum cleaning temperature specified applies to a maximum ambient temperature of 25 °C (77 °F).  
If the ambient temperature up-scales > 25 °C (> 77 °F), then the temperature difference to the current temperature must be subtracted from the max. cleaning temperature.
- The specified cleaning temperature may have an effect for a maximum of 60 minutes.

#### Maximum ambient temperature depending on measuring medium temperature

##### Integral mount design or remote mount design

Flowmeter sensor in standard version				
Process connection	Ambient temperature range ( $T_{amb}$ )		Measuring medium temperature ( $T_{medium}$ )	
	Minimum*	Maximum	Minimum	Maximum*
Flange	-20 °C (-4 °F)	60 °C (140 °F)	-25 °C (-13 °F)	100 °C (112 °F)
	-20 °C (-4 °F)	40 °C (104 °F)	-25 °C (-13 °F)	130 °C (266 °F)***
Variable process connections	-20 °C (-4 °F)	60 °C (140 °F)	-25 °C (-13 °F)	100 °C (112 °F)
	-20 °C (-4 °F)	40 °C (104 °F)	-25 °C (-13 °F)	130 °C (266 °F)***

High temperature version – from size DN 10 (3/8 in)				
Process connection	Ambient temperature range ( $T_{amb}$ )		Measuring medium temperature ( $T_{medium}$ )	
	Minimum*	Maximum	Minimum	Maximum
Flange	-20 °C (-4 °F)	60 °C (140 °F)	-25 °C (-13 °F)	180 °C (356 °F)

\* Also available in low temperature version for ambient temperatures down to -40 °C (-40 °F)

\*\* For CIP/SIP cleaning, higher temperatures are permitted for limited time periods; refer to **Maximum permissible cleaning temperature** on page 140.

\*\*\* For units of nominal size DN 1 to 2, the measuring medium temperature is limited to 120 °C (248 °F)

## HygienicMaster – Material load for process connections

The limits of the permissible measuring medium temperature ( $T_{\text{medium}}$ ) and permissible pressure ( $P_{\text{medium}}$ ) are calculated on the basis of the liner and flange material used in the device (see device name plate).

### Minimum permissible operating pressure

The following tables show the permissible minimum operating pressure ( $P_{\text{medium}}$ ) as a function of the measuring medium temperature ( $T_{\text{medium}}$ ) and the liner material.

Lining material	Nominal diameter	$P_{\text{medium}}$ [mbar abs]	$T_{\text{medium}}^*$
PFA	DN 3 to DN 100 ( $\frac{1}{16}$ to 4 in)	0 < 130 °C (266 °F)	
PEEK	DN 1 to DN 2 ( $\frac{1}{25}$ to $\frac{1}{12}$ in)	0 < 120 °C (248 °F)	

\* For CIP/SIP cleaning, higher temperatures are permitted for limited time periods; refer to **Maximum permissible cleaning temperature** on page 140.

Liner approvals on request; please contact ABB.

### Overview – Material load

Process connection	DN	$P_{\text{medium max.}}$	$T_{\text{medium}}$
<b>Wafer type</b>	DN 3 to 50 ( $\frac{1}{16}$ to 2 in)	40 bar (580 psi)	-25 to 130 °C (-13 to 266 °F)
	DN 65 to 100 (2 $\frac{1}{2}$ to 4 in)	16 bar (232 psi)	
<b>Welded spuds</b> DIN 2463, ISO 1127, DIN 11850	DN 3 to 40 ( $\frac{1}{16}$ to 1 $\frac{1}{2}$ in)	40 bar (580 psi)	-25 to 130 °C (-13 to 266 °F)
	DN 50, DN 80 (2 in, 3 in)	16 bar (232 psi)	
<b>Welded spuds</b> SMS 1145	DN 65, DN 100 (2 $\frac{1}{2}$ in, 4 in)	10 bar (145 psi)	
	DN 25, DN 40 to 100 (1 in, 1.5 to 4 in)	6 bar (87 psi)	-25 to 130 °C (-13 to 266 °F)
<b>Threaded pipe connection</b> DIN 11851	DN 3 to 40 ( $\frac{1}{16}$ to 1 $\frac{1}{2}$ in)	40 bar (580 psi)	-25 to 130 °C (-13 to 266 °F)
	DN 50, DN 80 (2 in, 3 in)	16 bar (232 psi)	
<b>Tri-Clamp</b> DIN 32676	DN 65, DN 100 (2 $\frac{1}{2}$ in, 4 in)	10 bar (145 psi)	
	DN 3 to 50 ( $\frac{1}{16}$ to 2 in)	16 bar (232 psi)	-25 to 130 °C (-13 to 266 °F)
<b>Tri-Clamp</b> ASME BPE	DN 65 to 100 (2 $\frac{1}{2}$ to 4 in)	10 bar (145 psi)	
	DN 3 to 80 ( $\frac{1}{16}$ to 3 in)	10 bar (145 psi)	-25 to 121 °C (-13 to 250 °F)
<b>External threads</b> ISO 228, DIN 2999	DN 100 (4 in)	8.6 bar (124.7 psi)	
	DN 3 to 25 ( $\frac{1}{16}$ to 1 in)	16 bar (232 psi)	-25 to 130 °C (-13 to 266 °F)
<b>Welded spuds</b> OD tubing	DN 3 to 50 ( $\frac{1}{16}$ to 2 in)	10 bar (145 psi)	-25 to 130 °C (-13 to 266 °F)
	<b><math>\frac{1}{8}</math> in hygiene connection</b> ( $\frac{1}{25}$ to $\frac{1}{12}$ in)	10 bar (145 psi)	-10 to 120 °C (-14 to 248 °F)

## ... 13 Specification

### ... HygienicMaster – Material load for process connections

#### Flange devices

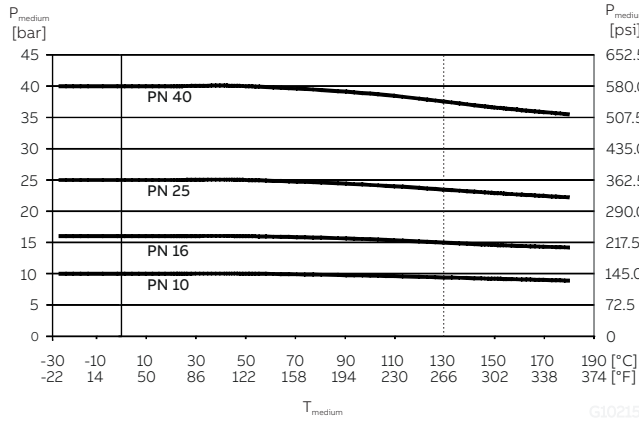


Figure 91: DIN flange, stainless steel, up to DN 100 (4 in)

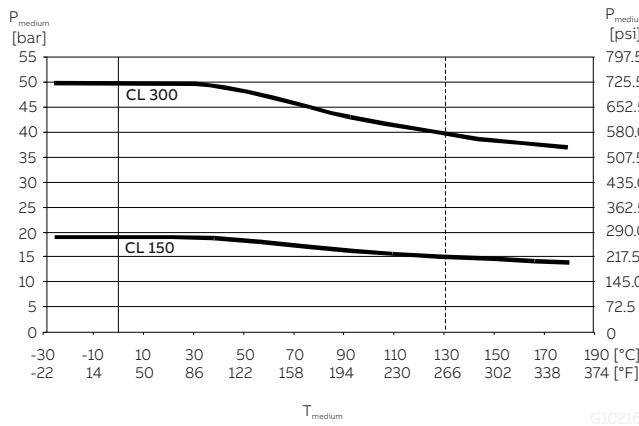


Figure 92: DIN flange, stainless steel, up to DN 100 (4 in) (CL 150 / 300)

#### JIS 10K-B2210 flange

DN	Material	PN	T <sub>medium</sub>	P <sub>medium</sub>
DN 25 to 100 (1 to 4 in)	Stainless steel	10	-25 to 130 °C (-13 to 266 °F)	10 bar (145 psi)

#### Wafer type devices

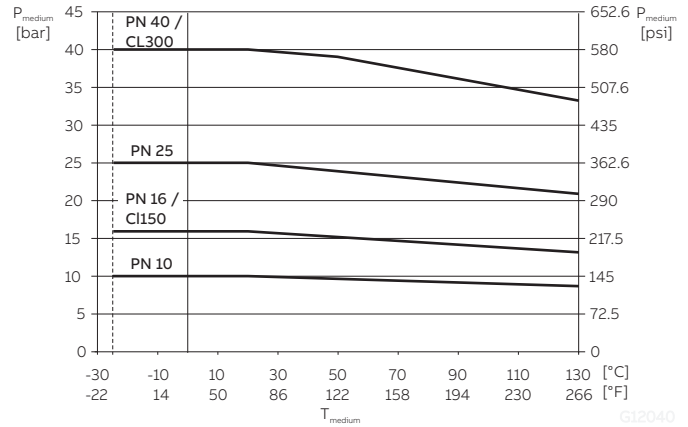


Figure 93: Wafer type design

#### JIS 10K-B2210 wafer type design

DN	Material	PN	T <sub>medium</sub>	P <sub>medium</sub>
DN 32 to 100 (1 ¼ to 4 in)	1.4404	10	-25 to 130 °C (-13 to 266 °F)	10 bar (290 psi) (145 psi)
	1.4435			
	1.4301			

## 14 Additional documents

#### Note

- An additional document with Ex safety instructions is available for measuring systems that are used in potentially explosive atmospheres.
- Ex safety instructions are an integral part of this manual. As a result, it is crucial that the installation guidelines and connection values it lists are also observed.

The icon on the name plate indicates the following:



#### Note

All documentation, declarations of conformity, and certificates are available in ABB's download area.

[www.abb.com/flow](http://www.abb.com/flow)

## Trademarks

HART is a registered trademark of FieldComm Group, Austin, Texas, USA

Modbus is a registered trademark of the Modbus Organization

PROFIBUS and PROFIBUS DP are registered trademarks of PROFIBUS & PROFINET International (PI)

LINATEX is a registered trademark of Linatex Ltd.

Hastelloy is a registered trademark of Haynes International, Inc.

## 15 Appendix

### Return form

#### Statement on the contamination of devices and components

Repair and/or maintenance work will only be performed on devices and components if a statement form has been completed and submitted.

Otherwise, the device/component returned may be rejected. This statement form may only be completed and signed by authorized specialist personnel employed by the operator.

#### Customer details:

Company: \_\_\_\_\_

Address: \_\_\_\_\_

Contact person: \_\_\_\_\_

Telephone: \_\_\_\_\_

Fax: \_\_\_\_\_

Email: \_\_\_\_\_

#### Device details:

Type: \_\_\_\_\_

Serial no.: \_\_\_\_\_

Reason for the return/description of the defect: \_\_\_\_\_

#### Was this device used in conjunction with substances which pose a threat or risk to health?

Yes       No

If yes, which type of contamination (please place an X next to the applicable items):

biological

corrosive / irritating

combustible (highly / extremely combustible)

toxic

explosive

other toxic substances

radioactive

Which substances have come into contact with the device?

1. \_\_\_\_\_

2. \_\_\_\_\_

3. \_\_\_\_\_

We hereby state that the devices/components shipped have been cleaned and are free from any dangerous or poisonous substances.

\_\_\_\_\_  
Town/city, date

\_\_\_\_\_  
Signature and company stamp

## ... 15 Appendix

### Torque information

#### Tightening torques for transducers with design level 'A'

##### Note

The specified torques are valid only for greased threads and piping that is not subject to tensile stress.

#### ProcessMaster in flange design and HygienicMaster in flange or wafer-type design

Nominal diameter [mm (in)]	Pressure rating	Maximum tightening torque [Nm]					
		Hard / soft rubber		PTFE, PFA, ETFE		Ceramic carbide	
		**	***	**	***	**	***
DN 3 to 10* ( $\frac{1}{10}$ to $\frac{3}{8}$ in)*	PN40	–	–	12.43	12.43	–	–
	PN63/100	–	–	12.43	12.43	–	–
	CL150	–	–	12.98	12.98	–	–
	CL300	–	–	17.38	17.38	–	–
	JIS 10K	–	–	12.43	12.43	–	–
DN 15 ( $\frac{1}{2}$ in)	PN40	6.74	4.29	14.68	14.68	–	–
	PN63/100	13.19	11.2	22.75	22.75	–	–
	CL150	3.65	3.65	12.98	12.98	–	–
	CL300	4.94	3.86	17.38	17.38	–	–
	CL600	9.73	9.73	–	–	–	–
	JIS 10K	2.84	1.37	14.68	14.68	–	–
DN 20 ( $\frac{3}{4}$ in)	PN40	9.78	7.27	20.75	20.75	–	–
	PN63/100	24.57	20.42	42.15	42.15	–	–
	CL150	5.29	5.29	18.49	18.49	–	–
	CL300	9.77	9.77	33.28	33.28	–	–
	CL600	15.99	15.99	–	–	–	–
	JIS 10K	4.1	1.88	20.75	20.75	–	–
DN 25 (1 in)	PN40	13.32	8.6	13.32	8.6	13.32	8.6
	PN63/100	32.09	31.42	53.85	53.85	53.85	53.85
	CL150	5.04	2.84	23.98	23.98	23.98	23.98
	CL300	17.31	16.42	65.98	38.91	65.98	38.91
	CL600	22.11	22.11	–	–	–	–
	JIS 10K	8.46	5.56	26.94	26.94	26.94	26.94
DN 32 (1 $\frac{1}{4}$ in)	PN40	27.5	15.01	45.08	45.08	45.08	45.08
	PN63/100	42.85	41.45	74.19	70.07	74.19	70.07
	CL150	4.59	1.98	29.44	29.44	29.44	29.44
	CL300	25.61	14.22	45.52	45.52	45.52	45.52
	CL600	34.09	34.09	–	–	–	–
	JIS 10K	9.62	4.9	45.08	45.08	45.08	45.08

\* Connection flange DIN/EN 1092-1 = DN 10 ( $\frac{3}{8}$  in), connection flange ASME = DN 15 ( $\frac{1}{2}$  in)

\*\* Flange material: steel.

\*\*\* Flange material: stainless steel.



Nominal diameter [mm (in)]	Pressure rating	Maximum tightening torque [Nm]					
		Hard / soft rubber		PTFE, PFA, ETFE		Ceramic carbide	
		**	***	**	***	**	***
DN 40 (1 ½ in)	PN40	30.44	23.71	56.06	56.06	56.06	56.06
	PN63/100	62.04	51.45	97.08	97.08	97.08	97.08
	CL150	5.82	2.88	36.12	36.12	36.12	36.12
	CL300	33.3	18.41	73.99	73.99	73.99	73.99
	CL600	23.08	23.08	–	–	–	–
	JIS 10K	12.49	6.85	56.06	56.06	56.06	56.06
DN 50 (1 ½ in)	PN40	41.26	27.24	71.45	71.45	71.45	71.45
	PN63	71.62	60.09	109.9	112.6	109.9	112.6
	CL150	22.33	22.33	66.22	66.22	66.22	66.22
	CL300	17.4	22.33	38.46	38.46	38.46	38.46
	CL600	35.03	35.03	–	–	–	–
	JIS 10K	17.27	10.47	71.45	71.45	71.45	71.45
DN 65 (2 ½ in)	PN16	14.94	8	37.02	39.1	37.02	39.1
	PN40	30.88	21.11	43.03	44.62	43.03	44.62
	PN63	57.89	51.5	81.66	75.72	81.66	75.72
	CL150	30.96	30.96	89.93	89.93	89.93	89.93
	CL300	38.38	27.04	61.21	61.21	61.21	61.21
	CL600	53.91	53.91	–	–	–	–
	JIS 10K	14.94	8	37.02	39.1	37.02	39.1
DN 80 (3 in)	PN40	38.3	26.04	51.9	53.59	51.9	53.59
	PN63	63.15	55.22	64.47	80.57	64.47	80.57
	CL150	19.46	19.46	104.6	104.6	104.6	104.6
	CL300	75.54	26.91	75.54	75.54	75.54	75.54
	CL600	84.63	84.63	–	–	–	–
	JIS 10K	16.26	9.65	45.07	47.16	45.07	47.16
DN 100 (4 in)	PN16	20.7	12.22	49.68	78.19	49.68	78.19
	PN40	67.77	47.12	78.24	78.19	78.24	78.19
	PN63	107.4	95.79	148.5	119.2	148.5	119.2
	CL150	17.41	7.82	76.2	76.2	76.2	76.2
	CL300	74.9	102.6	102.6	102.6	102.6	102.6
	CL600	147.1	147.1	–	–	–	–
	JIS 10K	20.7	12.22	49.68	78.19	49.68	78.19
DN 125 (5 in)	PN16	29.12	18.39	61.4	64.14	61.4	64.14
	PN40	108.5	75.81	123.7	109.6	123.7	109.6
	PN63	180.3	164.7	242.6	178.2	242.6	178.2
	CL150	24.96	11.05	98.05	98.05	98.05	98.05
	CL300	81.64	139.4	139.4	139.4	139.4	139.4
	CL600	244.1	244.1	–	–	–	–

\*\* Flange material: steel.

\*\*\* Flange material: stainless steel.

## ... 15 Appendix

### ... Torque information

Nominal diameter [mm (in)]	Pressure rating	Maximum tightening torque [Nm]					
		Hard / soft rubber		PTFE, PFA, ETFE		Ceramic carbide	
		**	***	**	***	**	***
DN 150 (6 in)	PN16	46.99	23.7	81.23	85.08	81.23	85.08
	PN40	143.5	100.5	162.5	133.5	162.5	133.5
	PN63	288.7	269.3	371.3	243.4	371.3	243.4
	CL150	30.67	13.65	111.4	111.4	111.4	111.4
	CL300	101.4	58.4	123.6	123.6	123.6	123.6
	CL600	218.4	218.4	–	–	–	–
DN 200 (8 in)	PN10	45.57	27.4	113	116.9	113	116.9
	PN16	49.38	33.82	70.42	73	70.42	73
	PN25	100.6	69.17	109.9	112.5	109.9	112.5
	PN40	196.6	144.4	208.6	136.8	208.6	136.8
	PN63	350.4	331.8	425.5	282.5	425.5	282.5
	CL150	49.84	23.98	158.1	158.1	158.1	158.1
	CL300	133.9	78.35	224.3	224.3	224.3	224.3
	CL600	391.8	391.8	–	–	–	–
DN 250 (10 in)	PN10	23.54	27.31	86.06	89.17	86.06	89.17
	PN16	88.48	61.71	99.42	103.1	99.42	103.1
	PN25	137.4	117.6	166.5	133.9	166.5	133.9
	PN40	359.6	275.9	279.9	241	279.9	241
	CL150	55.18	27.31	146.1	148.3	146.1	148.3
	CL300	202.7	113.2	246.4	246.4	246.4	246.4
DN 300 (12 in)	PN10	58.79	38.45	91.29	94.65	91.29	94.65
	PN16	122.4	85.64	113.9	114.8	113.9	114.8
	PN25	180.6	130.2	151.1	106.9	151.1	106.9
	PN40	233.4	237.4	254.6	252.7	254.6	252.7
	CL150	90.13	50.37	203.5	198	203.5	198
	CL300	333.3	216.4	421.7	259.1	421.7	259.1
DN 350 (14 in)	PN10	69.62	47.56	72.49	75.22	72.49	75.22
	PN16	133.6	93.61	124.9	104.4	124.9	104.4
	PN25	282.3	204.3	226.9	167.9	226.9	167.9
	CL150	144.8	83.9	270.5	263	270.5	263
	CL300	424.1	252.7	463.9	259.4	463.9	259.4
DN 400 (16 in)	PN10	108.2	75.61	120.1	113.9	120.1	113.9
	PN16	189	137.2	191.4	153.8	191.4	153.8
	PN25	399.4	366	404	246.7	404	246.7
	CL150	177.6	100	229.3	222.8	229.3	222.8
	CL300	539.5	318.8	635.8	328.1	635.8	328.1
DN 450 (18 in)	CL150	218.6	120.5	267.3	192.3	267.3	192.3
	CL300	553.8	327.2	660.9	300	660.9	300

\*\* Flange material: steel.

\*\*\* Flange material: stainless steel.

Nominal diameter [mm (in)]	Pressure rating	Maximum tightening torque [Nm]					
		Hard / soft rubber		PTFE, PFA, ETFE		Ceramic carbide	
		**	***	**	***	**	***
DN 500 (20 in)	PN10	141.6	101.4	153.9	103.5	153.9	103.5
	PN16	319.7	245.4	312.1	224.8	312.1	224.8
	PN25	481.9	350.5	477.1	286	477.1	286
	CL150	212.5	116	237.3	230.4	237.3	230.4
	CL300	686.3	411.8	786.8	363.1	786.8	363.1
DN 600 (24 in)	PN10	224.7	164.8	238.7	149.1	238.7	149.1
	PN16	515.1	399.9	496.7	365.3	496.7	365.3
	PN25	826.2	600.3	750.7	539.2	750.7	539.2
	CL150	356.6	202.8	451.6	305.8	451.6	305.8
	CL300	1188	719	1376	587.4	1376	587.4
DN 700 (28 in)	PN10	267.7	204.9	On request	On request	267.7	204.9
	PN16	455.7	353.2	On request	On request	455.7	353.2
	PN25	905.9	709.2	On request	On request	905.9	709.2
	CL150	364.1	326.2	449.2	432.8	364.1	326.2
	CL300	1241	On request	On request	On request	1241	On request
DN 750 (30 in)	CL150	423.8	380.9	493.3	442	423.8	380.9
	CL300	1886	On request	On request	On request	1886	On request
DN 800 (32 in)	PN10	391.7	304.2	On request	On request	391.7	304.2
	PN16	646.4	511.8	On request	On request	646.4	511.8
	PN25	1358	1087	On request	On request	1358	1087
	CL150	410.8	380.9	493.3	380.9	410.8	380.9
	CL300	2187	On request	On request	On request	2187	On request
DN 900 (36 in)	PN10	387.7	296.3	On request	On request	387.7	296.3
	PN16	680.8	537.3	On request	On request	680.8	537.3
	PN25	1399	1119	On request	On request	1399	1119
	CL150	336.2	394.6	511	458.5	336.2	394.6
	CL300	1972	On request	On request	On request	1972	On request
DN 1000 (40 in)	PN10	541.3	419.2	On request	On request	541.3	419.2
	PN16	955.5	756.1	On request	On request	955.5	756.1
	PN25	2006	1612	On request	On request	2006	1612
	CL150	654.2	598.8	650.6	385.1	654.2	598.8
	CL300	2181	On request	On request	On request	2181	On request
DN 1100 (44 in)	CL150	749.1	682.6	741.3	345.9	–	–
	CL300	2607	On request	On request	On request	–	–
DN 1200 (48 in)	PN 6	363.5	On request	–	–	–	–
	PN10	705.9	On request	–	–	–	–
	PN16	1464	On request	–	–	–	–
	CL150	815.3	731.6	–	–	–	–
	CL300	3300	On request	–	–	–	–

\*\* Flange material: steel.

\*\*\* Flange material: stainless steel.

## ... 15 Appendix

### ... Torque information

Nominal diameter [mm (in)]	Pressure rating	Maximum tightening torque [Nm]					
		Hard / soft rubber		PTFE, PFA, ETFE		Ceramic carbide	
		**	***	**	***	**	***
DN 1350 (54 in)	CL150	1036	983.7	–	–	–	–
	CL300	5624	On request	–	–	–	–
DN 1400 (56 in)	PN 6	515	On request	–	–	–	–
	PN10	956.3	On request	–	–	–	–
	PN16	1558	On request	–	–	–	–
DN 1500 (60 in)	CL150	1284	1166	–	–	–	–
	CL300	6139	On request	–	–	–	–
DN 1600 (64 in)	PN 6	570.7	On request	–	–	–	–
	PN10	1215	On request	–	–	–	–
	PN16	2171	On request	–	–	–	–
DN 1800 (72 in)	PN 6	708.2	On request	–	–	–	–
	PN10	1492	On request	–	–	–	–
	PN16	2398	On request	–	–	–	–
DN 2000 (80 in)	PN 6	857.9	On request	–	–	–	–
	PN10	1840	On request	–	–	–	–
	PN16	2860	On request	–	–	–	–

\*\* Flange material: steel.

\*\*\* Flange material: stainless steel.

## Tightening torques for transducers with design level 'B'

### Note

The specified torques are valid only for greased threads and piping that is not subject to tensile stress.

Nominal diameter [mm (in)] Pressure rating		Hard / soft rubber			PTFE
		** [Nm]	*** [Nm]	** [Nm]	*** [Nm]
DN 25 (1 in)	PN40	—	—	13.32	8.6
	CL150	—	—	23.98	23.98
	CL300	—	—	65.98	38.91
	JIS 10K	—	—	26.94	26.94
DN 32 (1 ¼ in)	PN40	—	—	45.08	45.08
	CL150	—	—	29.44	29.44
	CL300	—	—	45.52	45.52
	JIS 10K	—	—	45.08	45.08
DN 40 (1 ½ in)	PN40	—	—	56.06	56.06
	CL150	—	—	36.12	36.12
	CL300	—	—	73.99	73.99
	JIS 10K	—	—	56.06	56.06
DN 50 (1 ½ in)	PN40	—	—	71.45	71.45
	CL150	—	—	66.22	66.22
	CL300	—	—	38.46	38.46
	JIS 10K	—	—	71.45	71.45
DN 65 (2 ½ in)	PN16	—	—	37.02	39.1
	PN40	—	—	43.03	44.62
	CL150	—	—	89.93	89.93
	CL300	—	—	61.21	61.21
	JIS 10K	—	—	37.02	39.1
DN 80 (3 in)	PN40	—	—	51.9	53.59
	CL150	—	—	104.6	104.6
	CL300	—	—	75.54	75.54
	JIS 10K	—	—	45.07	47.16
DN 100 (4 in)	PN16	—	—	49.68	78.19
	PN40	—	—	78.24	78.19
	CL150	—	—	76.2	76.2
	CL300	—	—	102.6	102.6
	JIS 10K	—	—	49.68	78.19
DN 125 (5 in)	PN16	—	—	61.4	64.14
	PN40	—	—	123.7	109.6
	CL150	—	—	98.05	98.05
	CL300	—	—	139.4	139.4
DN 150 (6 in)	PN16	—	—	81.23	85.08
	PN40	—	—	162.5	133.5
	CL300	—	—	111.4	111.4

\*\* Flange material: steel.

\*\*\* Flange material: stainless steel.

## ... 15 Appendix

### ... Torque information

Nominal diameter [mm (in)] Pressure rating		Hard / soft rubber			
		** [Nm]	*** [Nm]	** [Nm]	*** [Nm]
DN 200 (8 in)	PN10	—	—	123.6	123.6
	PN16	—	—	113	116.9
	PN25	—	—	70.42	73
	PN40	—	—	109.9	112.5
	CL150	—	—	208.6	136.8
	CL300	—	—	158.1	158.1
DN 250 (10 in)	PN10	—	—	86.06	89.17
	PN16	—	—	99.42	103.1
	PN25	—	—	166.5	133.9
	PN40	—	—	279.9	241
	CL150	—	—	146.1	148.3
	CL300	—	—	246.4	246.4
DN 300 (12 in)	PN10	—	—	91.29	94.65
	PN16	—	—	113.9	114.8
	PN25	—	—	151.1	106.9
	PN40	—	—	254.6	252.7
	CL150	—	—	203.5	198
	CL300	—	—	421.7	259.1
DN 350 (14 in)	PN10	—	—	72.49	75.22
	PN16	—	—	124.9	104.4
	PN25	—	—	226.9	167.9
	CL150	—	—	270.5	263
	CL300	—	—	463.9	259.4
DN 400 (16 in)	PN10	—	—	120.1	113.9
	PN16	—	—	191.4	153.8
	PN25	—	—	404	246.7
	CL150	—	—	229.3	222.8
	CL300	—	—	635.8	328.1
DN 450 (18 in)	CL150	—	—	267.3	192.3
	CL300	—	—	660.9	300
DN 500 (20 in)	PN10	—	—	153.9	103.5
	PN16	—	—	312.1	224.8
	PN25	—	—	477.1	286
	CL150	—	—	237.3	230.4
	CL300	—	—	786.8	363.1
DN 600 (24 in)	PN10	—	—	238.7	149.1
	PN16	—	—	496.7	365.3
	PN25	—	—	750.7	539.2
	CL150	—	—	451.6	305.8
	CL300	—	—	1376	587.4

\*\* Flange material: steel.

\*\*\* Flange material: stainless steel.

### Tightening torques for HygienicMaster with variable process connections

Nominal diameter		Maximum tightening torque
[mm]	[in]	[Nm]
DN 3 to DN 10	¾ in	8
DN 15	½ in	10
DN 20	¾ in	21
DN 25	1	31
DN 32	1 ¼ in	60
DN 40	1 ½ in	80
DN 50	2	5
DN 65	2 ½ in	5
DN 80	3	15
DN 100	4	14

### Parameterization overview (factory settings)

Parameter	Value range	Factory setting
Sensor Tag	Alphanumeric, maximum 20 characters.	None
Sensor Location Tag	Alphanumeric, maximum 20 characters.	None
Qv Max 1	Depending on the nominal diameter of the sensor.	Set to $Q_{max}DN$ in accordance with <b>Measuring range table</b> on page 60.
Unit Volumeflow Qv	l/s; l/min; l/h; ml/s; ml/min; m3/s; m3/min; m3/h; m3/d; hl/h; g/s; g/min; g/h; kg/s; kg/min; kg/h; kg/d; t/min; t/h; t/d	l/min
Unit Vol. Totalizer	m3; l; ml; hl; g; kg; t	Liter (l)
Pulses per Unit	1 to 10000	1
Pulse Width	0.1 to 2000 ms	100 ms
Damping	0.02 to 60 s	1
Operating mode Digital output 41 / 42	Off, Binary output, Pulse output, Frequency output	Digital output 41/42 as pulse output for forward flow and reverse flow
Operating mode Digital output 51 / 52	Off, Binary output, pulse output (follows digital output 41 / 42, 90 ° or 180 ° out of phase)	Digital output 51 / 52 as binary output for output of the flow direction.
Curr.Out 31/32	4-20mA FWD/REV, 4-20mA FWD, 4-12-20 mA	4-20mA FWD/REV
Curr.Out at Alarm	High Alarm 21 to 23 mA or Low Alarm 3.5 to 3.6 mA	High Alarm, 21.8 mA
Current at flow rate > 103 % (I=20.5 mA)	Off (current output remains at 20.5 mA), High Alarm, Low Alarm ,	Off
Low flow cutoff	0 to 10 %	1 %
Empty pipe detection	On / Off	Off

---

**ABB Limited****Measurement & Analytics**

Howard Road, St. Neots  
Cambridgeshire, PE19 8EU  
UK

Tel: +44 (0)870 600 6122

Fax: +44 (0)1480 213 339

Email: [enquiries.mp.uk@gb.abb.com](mailto:enquiries.mp.uk@gb.abb.com)

**ABB Inc.****Measurement & Analytics**

125 E. County Line Road  
Warminster, PA 18974  
USA

Tel: +1 215 674 6000

Fax: +1 215 674 7183

**To find your local ABB contact visit:**

[abb.com/contacts](http://abb.com/contacts)

**ABB Automation Products GmbH****Measurement & Analytics**

Dransfelder Str. 2  
37079 Goettingen  
Germany

Tel: +49 551 905-0

Fax: +49 551 905-777

Email: [vertrieb.messtechnik-produkte@de.abb.com](mailto:vertrieb.messtechnik-produkte@de.abb.com)

**[abb.com/flow](http://abb.com/flow)**

---

We reserve the right to make technical changes or modify the contents of this document without prior notice. With regard to purchase orders, the agreed particulars shall prevail. ABB does not accept any responsibility whatsoever for potential errors or possible lack of information in this document.

We reserve all rights in this document and in the subject matter and illustrations contained therein. Any reproduction, disclosure to third parties or utilization of its contents – in whole or in parts – is forbidden without prior written consent of ABB.

Copyright© 2018 ABB  
All rights reserved

3KXF231601R4201