
ABB MEASUREMENT & ANALYTICS | DATA SHEET

EBN853 (Contrac)

Electronic unit



For the continuous control of
Contrac actuators RHD(E) and
RSD(E)

**Processor-controlled electronic unit according to the frequency
converter principle**

Power supply 115 V AC or 230 V AC

Conventional signal interface (0/4 to 20 mA / 24 V)

Digital communication via RS232 and HART

**Additional functions such as process controller, maintenance
computer, programmable characteristics**

**Simple configuration and parameter setting via graphical user
interface**

Torque and speed variation

PROFIBUS DP

Field mount housing in high IP rating IP 66

Brief description

The electronic unit builds the interface between the actuator and the control system.

During continuous positioning, the electronic unit varies the motor torque continuously until the actuator force and the control valve force are balanced. High response sensitivity and high positioning accuracy with short positioning time ensure an excellent control quality and a long actuator life.

Operating principles

The actuator continuously responds to a set point signal. The motor is permanently under voltage (operating mode S9 - 100 % stall-proof according to IEC 60034-1 / EN 60034-1) and gently increases or reduces the torque on the electronic unit in proportion to the ΔY signal (the difference between the Y set point and the Y position signal).

The actuator is not subject to temperature derating, i.e., there are no restrictions, even at the maximum permissible ambient temperature. Where a state of balance exists, the actuator force and process force are equivalent and the actuator keeps the final control element in the required position.

The classification of the 'S9 - 100 % overload protected' Contrac actuator in accordance with IEC 60034-1 / EN 60034-1 by far exceeds the requirements for the highest class, 'continuous modulation, class D' in accordance with EN 15714-2.

The Contrac actuator offers extensive process optimization capabilities thanks to its high-precision and highly dynamic operation.

Electronic unit

Electronic units are available for assembly in the field near the actuator, remotely in a mounting rack or for integrated assembly (smallest actuator type). In addition to the terminals, the electronic unit contains the microprocessor, frequency converter for motor control, analog and binary inputs and outputs, PROFIBUS® or HART® communication interfaces, the commissioning and service field and a plug connection to connect a PC.

No matter what the motor power of the respective actuator is, all electronic units are supplied single-phase by 230 V or 115 V mains supply (50 Hz or 60 Hz).

The commissioning and service field enables the end positions and direction of rotation to be set on the actuator. Moreover, status information is displayed using LEDs. Push buttons can be used to operate the actuator and set the operating mode (Automatic, Out of Service).

Analog signal and power input

For analog control, the set point entry is received from the control system through a 0 to 20 mA or 4 to 20 mA current value. Signal monitoring is possible. Should the signal leave the pre-defined limits, the actuator will perform the set safety procedure (e. g. 'Lock in last position' or 'Drive to safety position').

The position feedback is also given through a 0 to 20 mA or 4 to 20 mA feedback signal. There are 3 digital inputs and 3 digital outputs available in addition to the analog signal. If a digital input is activated, it will take priority over the set point signal (manual mode takes priority over automatic mode).

The following digital input configurations are possible:

Configuration	Digital input 1	Digital input 2	Digital input 3
OFF	No function	No function	No function
Manual intervention	Manual mode / Automatic mode switching	Travel command in OPEN direction	Travel command in CLOSE direction
Rapid traverse	Rapid traverse mode / Automatic mode switching	Rapid traverse travel command in OPEN direction	Rapid traverse travel command in CLOSE direction
Step controller	ON / OFF step controller activation	Step controller pulses in OPEN direction	Step controller pulses in CLOSE direction

... Brief description

The digital output function is freely selectable for each output. The following functions are available:

Function	Description
Ready to operate	Signaling of device status.
Signal end position 0 %	Actuator has reached the 0 % position.
Signal end position 100 %	Actuator has reached the 100 % position.
Signal limit value 1 rising	While the signal level is rising, the actuator has reached the position defined as limit value 1.
Signal limit value 1 falling	While the signal level is falling, the actuator has reached the position defined as limit value 1.
Signal limit value 2 rising	While the signal level is rising, the actuator has reached the position defined as limit value 2.
Signal limit value 2 falling	While the signal level is falling, the actuator has reached the position defined as limit value 2.
Collective failure	Drive function is no longer given. The actuator is no longer available.
Collective alarm	Parameters in the Contrac interface system have adopted values, which make a failure in the near future likely. The actuator remains functional.
Local operation	The actuator is operated via the local control station (ISF)
Rapid traverse + direction	Actuator is moving at rapid traverse speed in + direction (only for 2-motor version).
Rapid traverse control -direction	Actuator is moving at rapid traverse speed in - direction (only for 2-motor version).

Step controller operation

In the 'step controller' operating mode the incoming control commands are received as pulses at digital inputs 2 and 3 these are upward-integrated into an internal memory. The memory uses these pulses to generate an 'artificial' internal set point which the actuator then follows. This process is as easy on the control valve and actuator operation as the analog control process.

Rapid traverse mode

The actuator is operated exactly in the same operating mode as in the analog control mode. On activation of digital inputs 2 or 3, the actuator moves at twice the rated operating speed and half the torque in the corresponding direction. Just before the end position is reached, the actuator travel speed is automatically switched back to the set speed, at which the remaining distance is covered.

Speed

Contrac actuators offer different speed adjustments for both directions, independently of actuator torque or actuator force. Furthermore, a speed characteristics curve can be set with three different speed values for each direction. The actuator speed is steplessly adapted to the rate of change in speed of the set point value. This ensures a highly dynamic and extremely precise control process. In order to preserve the control valve, the actuator speed is automatically reduced before the end position is reached.

Torque/Force

The torque and actuator force setting options are comparable to the speed setting options. 50 %, 75 % and 100 % of the rated output value can be selected. The electronic unit alters the motor actuation according to the selected value.

Set point monitoring

The set point can be monitored for compliance with the adjustable limit values. Should the set point exceed the upper limit value or fall below the lower limit value, the actuator will perform the previously defined safety action. 'Lock in current Position' or 'Move to pre-defined safety position' are available as safety actions.

Ambient conditions

Temperature

Different temperature versions are available, depending on the actuator type.

The power-up period is not subject to derating, i.e. even at the maximum permissible ambient temperature, the actuator ensures maximum control precision and dynamics during a power-up period of 100 %.

Corrosion protection

Contrac actuators and electronic units have been designed for operation in extreme ambient conditions. They satisfy the requirements of atmospheric corrosivity category C5-I (highly polluted industrial atmospheres) for protection against external corrosion in accordance with DIN EN 15714 (Electric actuators for industrial valves – Basic requirements), and EN ISO 12944-2:1998 (Paints and varnishes. Corrosion protection of steel structures by protective paint systems. Classification of environments).

Electronic cabinet modules satisfy the requirements of category C1 (low pollution) as per EN ISO 12944-2:1998 (Paints and varnishes. Corrosion protection of steel structures by protective paint systems. Classification of environments).

Service life

Contrac actuators and electronic units exceed the service life requirements for the highest class D, 'continuous modulation', as per DIN EN 15714 (Electric actuators for industrial valves – Basic requirements). The actuators remain maintenance-free for up to 10 years under 'normal' load.

Communication

The PROFIBUS DP®, PROFIBUS DP®/V1 or HART® communication protocols are available for digital communication.

PROFIBUS®

PROFIBUS DP® is an international, open field bus protocol which has been standardized in the field bus standard EN 50170. On a cyclic basis, the master reads the input information from the slaves and writes the output information to the slaves. In addition to this cyclic data transfer of the process representation (e. g. setpoint and actual value), Profibus DP also provides powerful functions for diagnostics and commissioning. PROFIBUS DP/V1 additionally offers the acyclic transfer of data for the configuration of slaves, for example. Data traffic is monitored through the monitoring functions on the master and slave sides. In addition to PROFIBUS® data transfer, ABB Contrac actuators provide two configurable binary outputs to for example signal that the end position has been reached. The two configurable digital outputs can be used independently of the bus communication.

HART®

Contrac actuators also offer the option of using the HART® communication protocol for configuration and parameterization while operation is in progress. HART®-FSK communication enables simultaneous analog set point transmission and digital communication without additional installation. The HART signal is modulated on to the 4 to 20 mA analog set point signal. The HART® protocol works with Frequency Shift Keying (FSK) technology, based on the Bell 202 communication standard.

DTM

The DTM (Device Type Manager) for Contrac actuators is based on FDT / DTM technology (FDT 1.2 / 1.2.1) and can either be integrated into a control system or loaded on a PC with DAT200 Asset Vision Basic. This allows you to work with the same user interface in the commissioning phase, during operation, and for servicing tasks, involving monitoring the device, setting parameters, and reading out data. Communication is based on HART® protocol or PROFIBUS® communication. Reading out data from the device has no effect on the operation in progress. Newly set parameters are saved in the non-volatile memory directly upon download to the device, and become active immediately.

EDD

Similar to DTM, the EDD (Electronic Device Description) provides the option of configuration and parameterization of the device through HART® communication by using a handheld terminal or an EDD integrated in the system.

Specification

General information

EBN853	
IP rating	IP 66 in accordance with IEC 60529 / EN 60529 NEMA 4X in accordance with CAN / CSA22.2 No. 94
Humidity	≤ 95% annual average; condensation not permitted
Ambient temperature	-25 to 55 °C (-13 to 131 °F)
Transport and storage temperature	-25 to 70 °C (-13 to 158 °F)
Long-term storage temperature	-25 to 40 °C (-13 to 104 °F)
Mounting position	On vertical mounting plate, lateral cable gland, left
Vibration stress	Maximum 150 Hz: acceleration: 1 g (in accordance with EN 60068-2-6, Table C.2)
Paint	2-layer component epoxy (RAL 9005, black)
Electrical connection	Mains supply via screw terminals; all other connections made via screw-type plug connectors Connection cable between electronic unit and actuator tightly fastened to the electronic unit, from the actuator side using a connector to the connection to the actuator. Maximum cable length 100 m (328 ft). In actuators in explosion-proof design, the connection cable is tightly fastened to the actuator without a connector through the screw terminals. Optional, loose cable set supplied acc. to length requirements
Weight	11 kg (24 lbs)

Power supply

EBN853				
Supply voltage (standard actuators)	115 V AC (94 to 130 V) or 230 V AC (190 to 260 V); 47.5 to 63 Hz; single-phase			
Supply voltage (Ex actuators)	115 V AC (94 to 127 V) or 230 V AC (190 to 253 V); 47.5 to 63 Hz; single-phase			
Current consumption at the electronic unit (AC 115 V / AC 230 V)	Actuator	I_{\max} at 115 V	I_{\max} at 230 V	I_{pos} (115 V + 230 V): approx. 40 to 50 % of I_{\max}
	RHD(E)250-10	1.8 A	0.9 A	
	RHD(E)500-10	2.2 A	1.1 A	
	RHD(E)800-10	5.0 A	2.5 A	
	RHD(E)1250-12	5.0 A	2.5 A	
	RHD(E)2500-25	5.0 A	2.5 A	
	RHD(E)4000-40	5.8 A	2.7 A	
	RHD(E)8000-80	5.0 A	2.5 A	
	RSD(E)10-5,0	2.2 A	1.1 A	
	RSD(E)10-10,0	3.6 A	1.8 A	
	RSD(E)20-5,0	3.6 A	1.8 A	
	RSD(E)20-7,5	4.8 A	2.4 A	
	RSD(E)50-3,0	5.0 A	2.5 A	
	RSD100-1.5	5.0 A	2.5 A	
	RSD200-0.7	5.0 A	2.5 A	
External fuse for electronic unit	16 A; time-lag			

... Specification

Communication

Conventional communication	
Analog input	0 / 4 to 20 mA; internal load: 300 Ω
Analog output	0 / 4 to 20 mA, electrically isolated, max. load 500 Ω
3 digital inputs, 1 to 3	Digital 0: -3 to 5 V or open, electrically isolated Digital 1: 12 to 35 V, electrically isolated
3 digital outputs, 1 to 3	Potential-free relay contact, max. 60 V, 150 mA
Digital communication	RS232 for commissioning and service, with optional FSK / HART® or PROFIBUS DP®
Default settings	See Table Conventional communication on page 10.
Voltage output U_V	24 V, 15 mA, electrically isolated, for scanning external contacts, or similar applications
Connection for transmitter (optional)	Supply for two-wire transmitter with activated process controller in Contrac
Individual settings	See data sheet 'DS/CONTRAC/SETTING' or available upon request.

PROFIBUS DP® Communication

PNO ID no.	0×9655 Actuators with DP/V0 communication (cyclic data traffic) 0×09EC Actuators with DP/V1 communication (cyclic and acyclic data traffic)
Communication protocol	PROFIBUS PA® Profile V3.0 Class B in accordance with IEC 50170 / EN 50170 (DIN 19245)
Bus cable	Twisted, shielded copper wire acc. to IEC 50170 / EN 50170
Interface	EIA-485 (RS485) acc. to IEC 50170 / EN 50170
Permissible baud rates	93.75 Kbit/s 187.5 Kbit/s 500 Kbit/s 1500 Kbit/s Automatic baud rate detection
Bus address	0 to 126, default address 126 Set Slave Address service is supported
Bus termination	Connectable active bus termination. Power supply from electronic unit
Block types	1 analog input function block 1 transducer block 1 physical block
Failsafe	Failsafe function is supported. Configurable function for downtime of bus communication <ul style="list-style-type: none"> • Lock in last position • Drive to safety position • Adjust with last effective set point Adjustable time delay
Modules for cyclic communication	8 standards-compliant modules and 3 manufacturer-specific modules are available.* SP (Short) SP (Long) RCAS_IN+RCAS_OUT SP+READBACK+POS_D SP+CHECKBACK SP+READBACK+POS_D+CHECKBACK RCAS_IN+RCAS_OUT+CHECKBACK SP+RCAS_IN+READBACK+RCAS_OUT+POS_D+CHECKBACK STANDARD SP+RB+MESSEING SP+RB+ENL_DIAG
Acyclic communication	Full parameterization and configurability via Master Class 2 and DTM
Default settings	See Table PROFIBUS DP® communication on page 10.
Digital outputs 1 and 2	In addition to the PROFIBUS®-communication, there are 2 digital outputs. Potential-free relay contact, max. 60 V, 150 mA Default setting: Digital output 1 End position signal 0 % Digital output 2 End position signal 100 %
Individual settings	See data sheet 'DS/CONTRAC/SETTING' or available upon request.

* A full description of communication modules can be found in parameterization and configuration instructions 45/68-10

... Specification

Delivery status

The standard delivery scope includes metric cable entry threads with IP66 seal plugs. Optional NPT and PG adapters are available. The individual actuator configuration may vary from the standard setup above. This information can be displayed via the user interface. Unless otherwise specified by the user, the electronic units are delivered with the following standard configuration:

Conventional communication	
Parameter	Setting
Function selection	Positioner, parameter: set point
Set point function	Analog set point
Set point range	4 to 20 mA
Set point characteristic	Linear; set point = position value
Actual value range	4 to 20 mA
Nominal torque / rated force in \pm direction	100 %
Automatic speed in \pm direction:	100 %
Action in 0 % / 100 % end position	Keep leak-tight with nominal torque / rated force
Digital inputs	Digital input 1 Manual / Automatic switching, Digital input 2 / 3 Travel command \pm
Digital outputs	Digital output 1 ready for operation / error message, Digital output 2 / 3 end position signaling 0 % / 100 %
Brake Away Function	Deactivated
Shut-off function	Deactivated
Positioning loop monitoring	Deactivated
Set point monitoring	Deactivated
Alarm Type	Deactivated
Action after restoration of power	Switch to Automatic
Working range of actuator	Not set

PROFIBUS DP® communication	
Parameter	Setting
Function selection	Positioner, parameter: set point
Set point function	Digital
Set point range	4 to 20 mA
Set point characteristic	Linear; set point = position value
Actual value range	Digital
Nominal torque / rated force in \pm direction	100 %
Automatic speed in \pm direction:	100 %
Action in 0 % / 100 % end position	Keep leak-tight with nominal torque / rated force
Digital outputs	Digital output 1 / 2 end position signal 0 % / 100 %
Brake Away Function	Deactivated
Shut-off function	Deactivated
Positioning loop monitoring	Deactivated
Communication monitoring	PROFIBUS DP® / V0: Activated Lock in last position PROFIBUS DP® / V1: Activated After delay time has elapsed (standard configuration 5 s) Lock in last position
Alarm Type	Deactivated
Action after restoration of power	Switch to Automatic
Working range of actuator	Not set

Electrical connections

Wire cross-sectional areas

EBN853 – Screw terminals	
Motor/brake	rigid: 0.2 to 6 mm ² (24 to 10 AWG)
	flexible: 0.2 to 4 mm ² (24 to 12 AWG)
Mains	rigid: 0.5 to 6 mm ² (20 to 10 AWG)
	flexible: 0.5 to 4 mm ² (20 to 12 AWG)
Signals	rigid: 0.5 to 4 mm ² (20 to 12 AWG)
	flexible: 0.5 to 2.5 mm ² (20 to 14 AWG)

Cable glands

The actuators and electronic units are supplied without cable glands. Suited cable glands must be installed on site.

Tap holes for cable glands

	metric	optional adapters for*	
Signal cable	M20 × 1.5 (2 ×)	PG 16 (2 ×)	NPT ½ in (2 ×)
Motor cable	M25 × 1.5 (1 ×)	PG 21 (1 ×)	NPT ¾ in (1 ×)

* Adapter for PG or NPT thread must be ordered separately

Note

The on-site cable glands for the motor and signal cables must be produced in type of protection Ex 'e' (increased safety) and must ensure contact with the cable shielding.

Selection of suited connection cables

Please observe the following information when selecting cables:

- Use suited cables only for the electric connection between the Contrac control actuator in potentially explosive atmospheres and the components outside of the potentially explosive atmospheres.
- Use shielded cables for the motor / brake cable, the sensor cable, and the signal cable to the control system / controller.
- Connect the shielding of the motor / brake cable and the sensor cable on both sides (to the actuator and to the Contrac electronic unit).
- For the connection between the motor and motor temperature monitoring unit and for the power supply, shielded cables are not required.

Installation information on the cable harness for actuators in Ex design

The electrical connection between the Contrac electronic unit and the Contrac actuator can be established using the cable set (order code 695). The cable harness is not part of the Ex prototype test certificate and must therefore be tested for safety-relevant functionality within the complete installation by the installer or operator.

If the specified cable harness does not meet all safety-relevant requirements, the proper installation material must be used.

For the specified motor connection cable, the shielding must be connected at both ends and connected with protective ground.

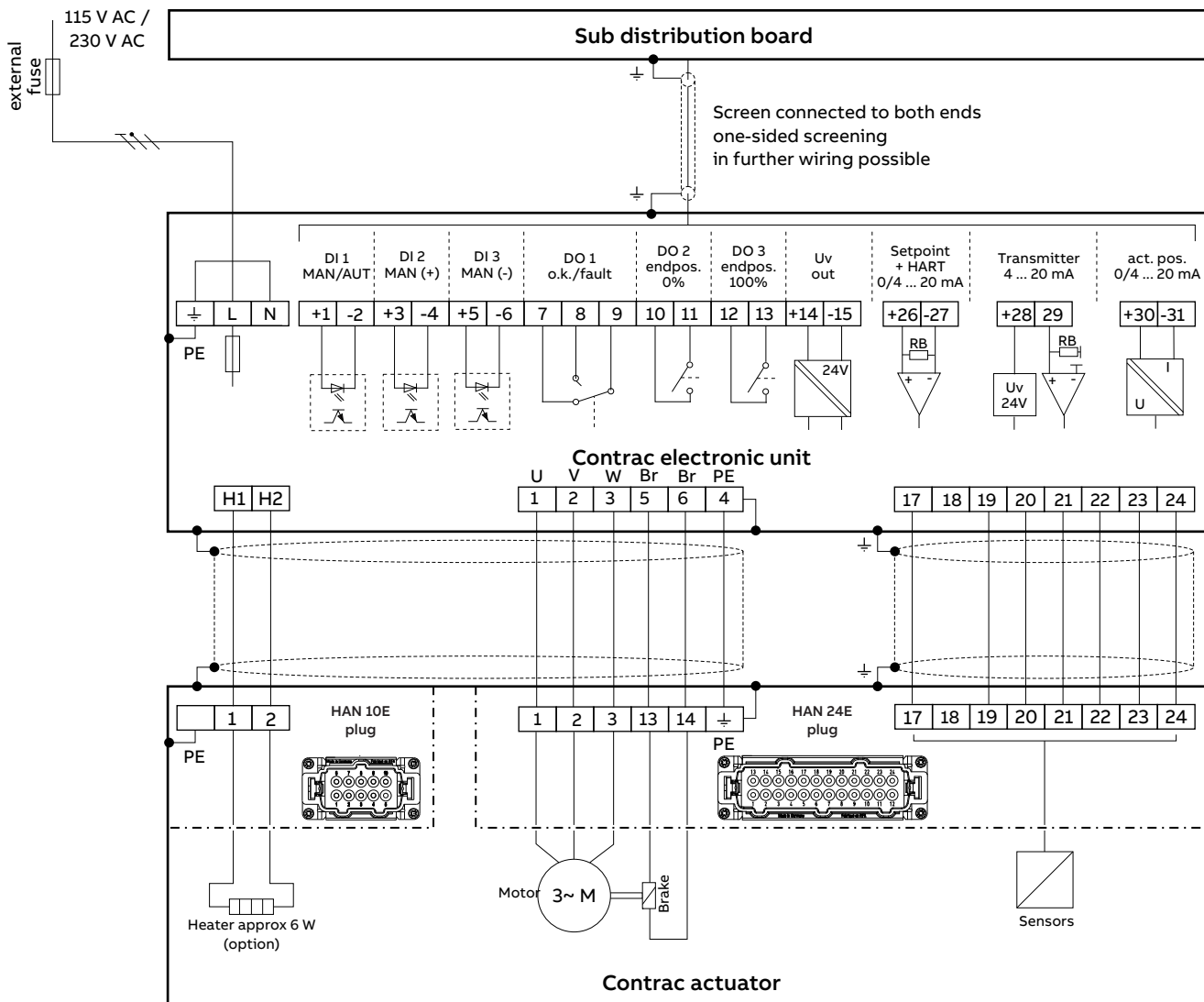
... Electrical connections

Electronic Unit EBN853 (Contrac)

Analog / Digital

Note

The electrical connection is provided by a universal plug on the actuator and the screw terminals on the electronic unit.



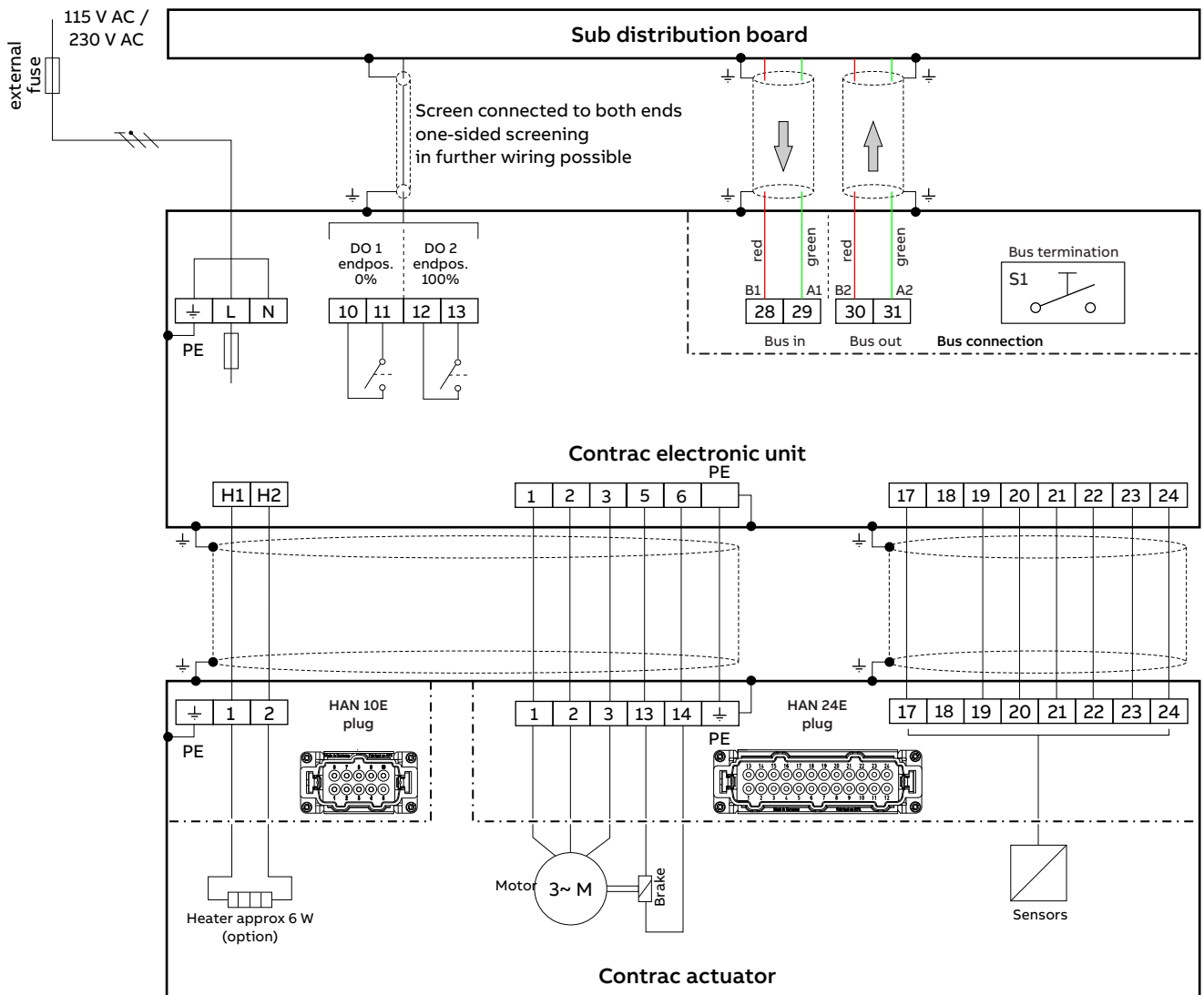
BE = digital input
 BA = digital output

Figure 1: Control via analog input 0/4 to 20 mA, HART® communication or digital inputs

PROFIBUS DP®

Note

The electrical connection is provided by a universal plug on the actuator and the screw terminals on the electronic unit.



BA = digital output

Figure 2: Control via fieldbus PROFIBUS DP®

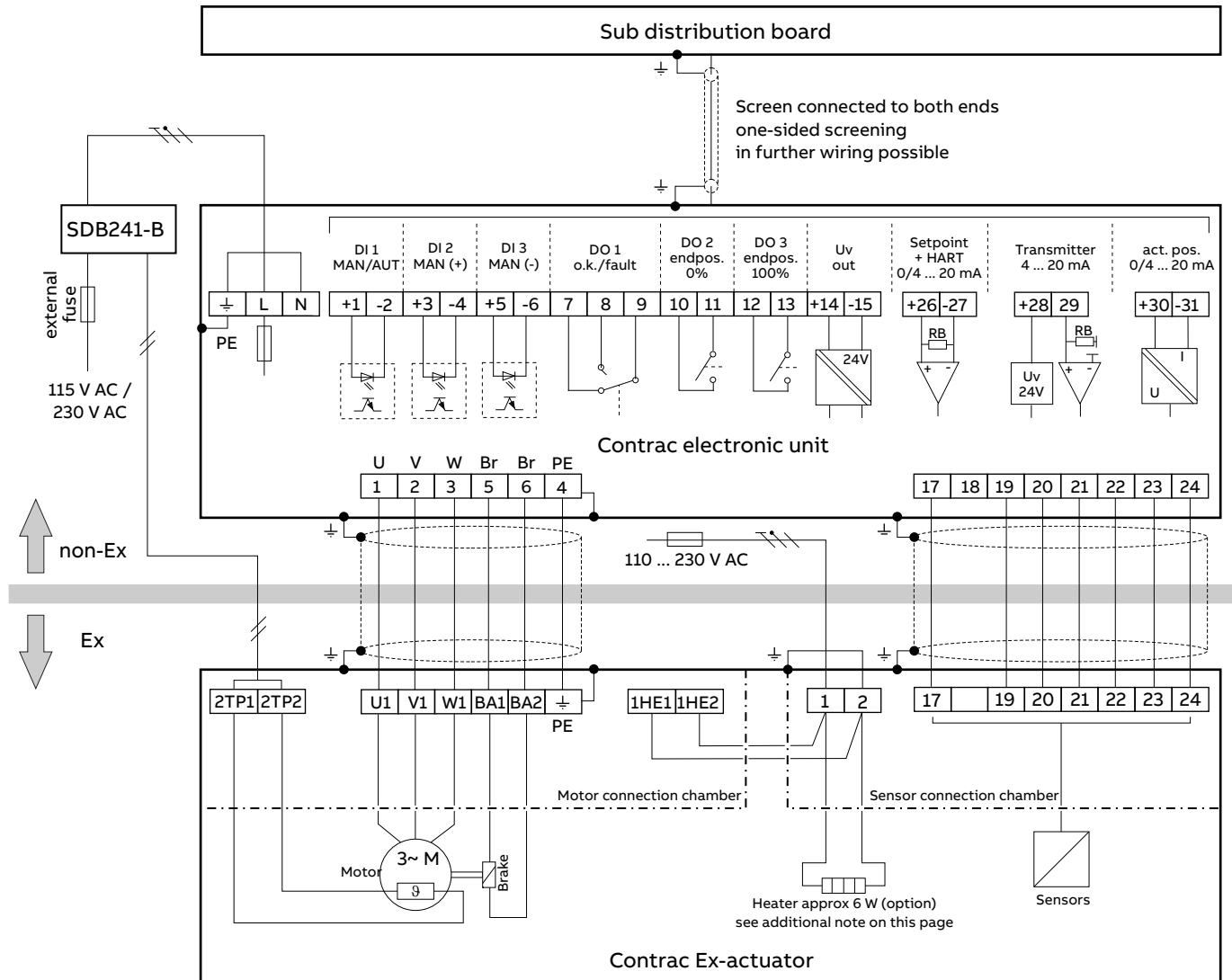
... Electrical connections

Ex Actuators

Analog / Digital

Note

- The electrical connection is established via screw terminals on the control actuator and on the electronic unit.
- If you are using a separate heat supply, the heater must be protected with a 2 to 6 A medium time-lag fuse (e.g. NEOZED D01 E14).



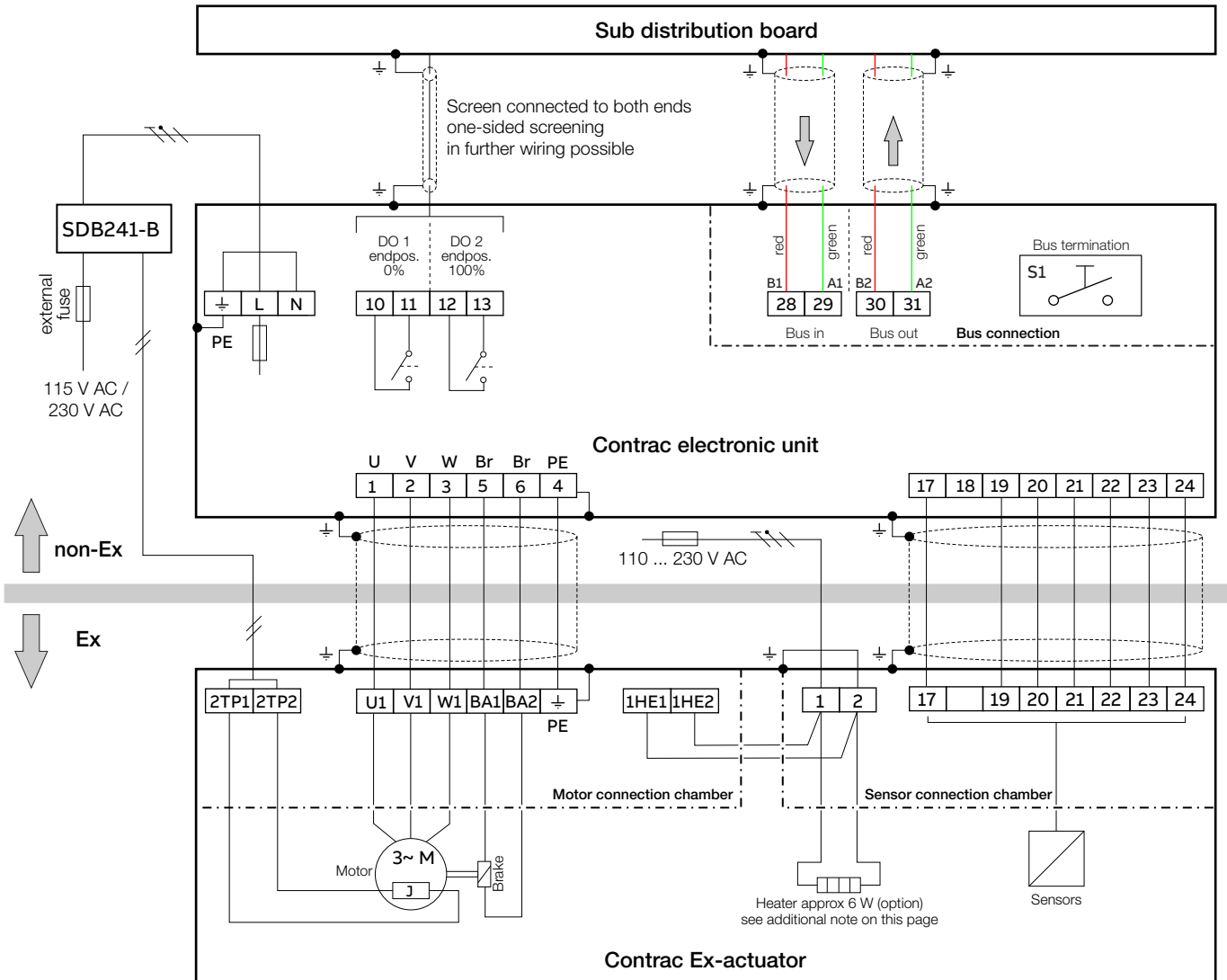
BE = digital input
 BA = digital output

Figure 3: Control via analog input 0/4 to 20 mA, HART® communication or digital inputs

PROFIBUS DP®

Note

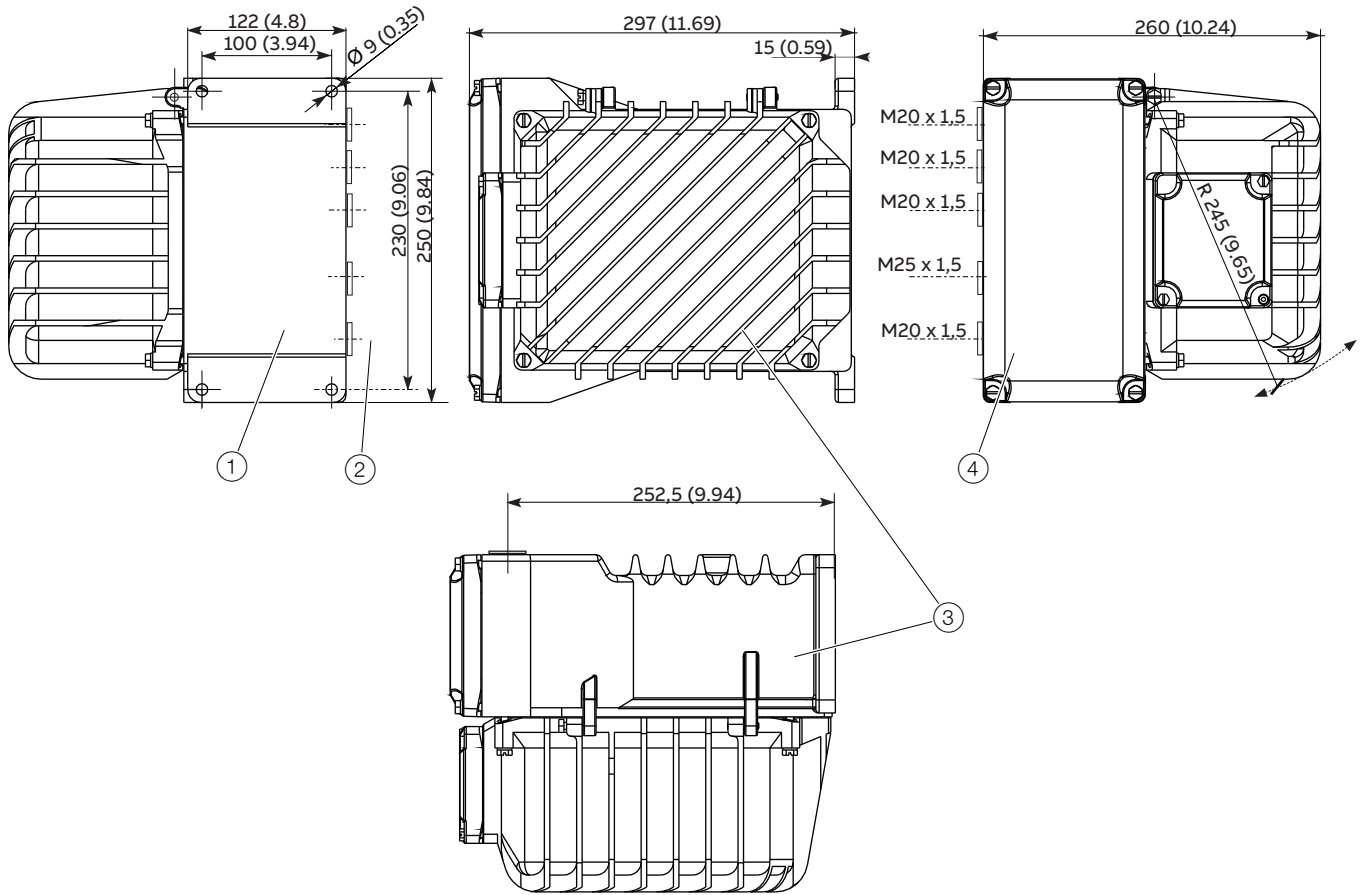
- The electrical connection is established via screw terminals on the control actuator and on the electronic unit.
- If you are using a separate heat supply, the heater must be protected with a 2 to 6 A medium time-lag fuse (e.g. NEOZED D01 E14).



BA = digital output

Figure 4: Control via fieldbus PROFIBUS DP®

Dimensions



- ① Back view
- ② Leave at least 100 mm (3.94 in) distance for the cable gland and cable radius
- ③ Side view
- ④ Front view

Figure 5: Dimensions in mm (in)

... Ordering Information

Main ordering information		XXX	XXX
EBN853 Electronic Unit for Ex-Actuators, for field installation		XXX	XXX
Ambient Temperature Range of Actuator			
-25 to 60 °C (-15 to 140 °F) (Only for part turn actuators Ex)		346	
-30 to 40 °C (-22 to 104 °F) (Only for part turn actuators Ex)		347	
-20 to 60 °C (-4 to 140 °F) (Only for linear actuators Ex)		348	
Settings of Electronic Unit			
Standard settings (see technical data)			390
Customer-specific settings (see data sheet 10/68-2.40 EN)			391

Additional ordering information EBN853 for Ex-Actuators

EBN853 Electronic Unit for Ex-Actuators, for field installation	XXX	XXX	XXX	XXX	XXX	XXX	XXX	XXX	XXX
Electrical Connection Thread									
Set NPT adapter (junction metric / NPT thread)	680								
Set PG adapter (junction metric / PG thread)	681								
Anti-condensation Heater in Actuator "ON"									
Anti-condensation heater in actuator "ON"		359							
Identification on Data Label									
(Alphanumeric, max. 32 characters)			295						
Data Label with US Units									
Data label with US units				253					
F. No. of associated Actuator on Data Label of Electronic Unit									
F. No. of associated actuator on data label of electronic unit (Available only as "Special Requirement")					297				
Factory Certificate 2.1 acc. to EN 10204									
Factory certificate 2.1 acc. EN 10204						291			
Certificate 3.1 acc. to EN 10204									
Certificate 3.1 acc. EN 10204							292		
Operating Instruction									
German									Z1D
English									Z1E
Russian									Z1R
Positioner / Controller Function									
Positioner function									238
Process controller function									239

Accessories

Description	Ordering number
RHD(E) / RSD(E) / PME / LME Save & Restore Tool ECOM700 for Contrac electronic units with software version ≥ 2.0	3KXE911100L0001
RHD(E) / RSD(E) / PME / LME Save & Restore Tool ECOM688 for Contrac electronic units with software version < 2.0	3201110
RHD(E) / RSD(E) / PME / LME PC connection cable, 3 m cable with 9-pole Sub-D connector and 9-pole Sub-D female connector	746349



Trademarks

HART is a registered trademark of FieldComm Group, Austin, Texas, USA

PROFIBUS and PROFIBUS DP are registered trademarks of PROFIBUS & PROFINET International (PI)

Sales



Service



Notes



ABB Limited**Measurement & Analytics**

Howard Road, St. Neots
Cambridgeshire, PE19 8EU
UK

Tel: +44 (0)870 600 6122

Fax: +44 (0)1480 213 339

Email: enquiries.mp.uk@gb.abb.com

ABB Inc.**Measurement & Analytics**

125 E. County Line Road
Warminster, PA 18974
USA

Tel: +1 215 674 6000

Fax: +1 215 674 7183

ABB Automation Products GmbH**Measurement & Analytics**

Schillerstr. 72
32425 Minden
Germany

Tel: +49 571 830-0

Fax: +49 571 830-1806

abb.com/actuators

We reserve the right to make technical changes or modify the contents of this document without prior notice. With regard to purchase orders, the agreed particulars shall prevail.

ABB does not accept any responsibility whatsoever for potential errors or possible lack of information in this document.

We reserve all rights in this document and in the subject matter and illustrations contained therein. Any reproduction, disclosure to third parties or utilization of its contents – in whole or in parts – is forbidden without prior written consent of ABB.

Copyright© 2018 ABB
All rights reserved

3KXE181003R1001