

Check Valves



www.panamengineers.com

Check Valves

PANAM Check Valves are specially designed & manufactured for flow control of fluids and gases in corrosive & hazardous environment. The valves are used in process control, instrumentation and flow control applications. Valves are precision machined with designer durability and maximum efficiency to provide high quality and low cost alternatives in fluid and gaseous control systems of different applications, to meet the exact standards of our customer growing demands.

Features

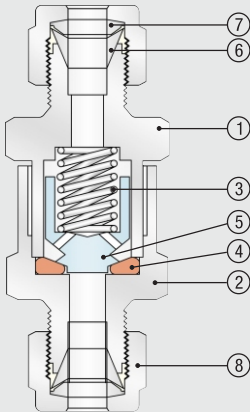
Available in High Grade Stainless Steel, Brass Materials

Variety of end connections includes Male / Female threaded NPT, BSP, BSPT, ISO, DIN and JIS tapered pipe ends.

100% factory tested for both crack & reseal.

Complete heat traceability.

Material of Construction



Sr. No.	Part Name	Qty.	Material
1	Body (Outlet)	1	A479-316 / Brass
2	Body (Inlet)	1	A479-316 / Brass
3	Spring	1	302 S.S. / A313
4	'O' Ring	1	Viton / Buna-N
5	Poppet	1	A479-316 / Brass
6	Back Ferrule	1	A479-316 / Brass
7	Front Ferrule	1	A479-316 / Brass
8	Nut	1	A479-316 / Brass

Optional TFE coated springs and elastomer seal are available upon request

Pressure & Temperature Ratings

Pressure Rating

316SS	1/8" to 1"	6000 Psig C W P (414 bar)
Brass	1/8" to 1"	3000 Psig C W P (207 bar)

Also Available in 10,000 psig upon request

Orifice 1.078" to 0.656"
(2.0 mm to 16.7 mm)

Cv Factor 0.18 to 6.56

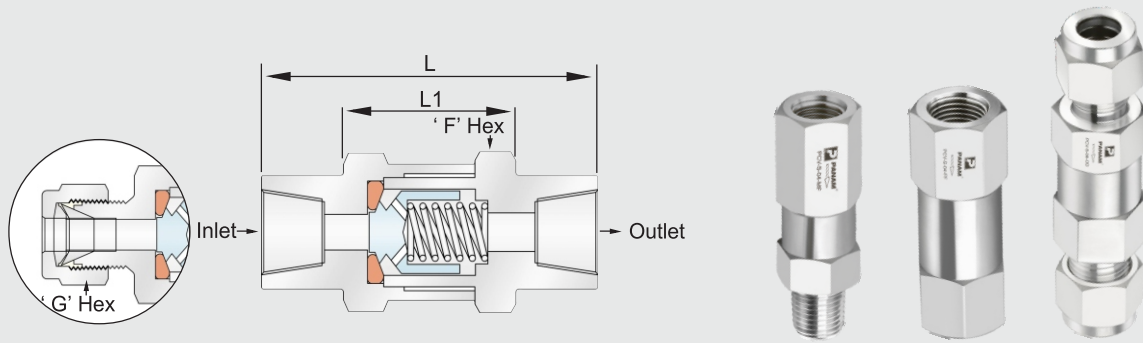
Working temperatures

Viton seal	-15° F to 375° F (-26°C to 190°C)
Fluorocarbon Rubber	-15° F to 400° F (-26°C to 204°C)
Buna - N Rubber	-30° F to 275° F (-34°C to 135°C)
Neoprene Rubber	-45° F to 250° F (-43°C to 121°C)

Working-Choice of fixed pressure cracking points from 1/3 to 25 psi (.02 to 1.75 bar) or as per customers requirements.

Note:- Valves may initially crack at higher than subsequent cracking pressure if are not actuated for a period of time.

Dimensions



Part No	Inlet	Outlet	L	L1	F Hex	G Hex
PCV-02-SS-OD	1/8" OD	1/8" OD	68.50	33.50	19.00	11.00
PCV-02-SS-FF	1/8" Female NPT	1/8" Female NPT	50.00	33.50	19.00	-
PCV-02-SS-MM	1/8" Male NPT	1/8" Male NPT	53.50	33.50	19.00	-
PCV-06-SS-OD	6mm OD	6mm OD	72.00	33.50	19.00	14.00
PCV-04-SS-OD	1/4" OD	1/4" OD	72.00	33.50	19.00	14.00
PCV-04-SS-FF	1/4" Female NPT	1/4" Female NPT	60.00	33.50	19.00	-
PCV-04-SS-MM	1/4" Male NPT	1/4" Male NPT	62.50	33.50	19.00	-
PCV-04-04-SS-MOD	1/4" Male NPT	1/4" OD	66.00	33.50	19.00	14.00
PCV-04-M06-SS-MOD	1/4" Male NPT	6mm OD	66.00	33.50	19.00	14.00
PCV-M08-SS-OD	8mm OD	8mm OD	72.00	33.50	19.00	16.00
PCV-06-SS-OD	3/8" OD	3/8" OD	73.50	33.50	19.00	17.50
PCV-06-SS-FF	3/8" Female NPT	3/8" Female NPT	60.00	34.00	22.00	-
PCV-06-SS-MM	3/8" Male NPT	3/8" Male NPT	62.50	33.50	19.00	-
PCV-M10-SS-OD	10mm OD	10mm OD	74.50	33.50	19.00	19.00
PCV-08-SS-OD	1/2" OD	1/2" OD	79.00	34.00	22.00	22.00
PCV-08-SS-FF	1/2" Female NPT	1/2" Female NPT	84.00	-	32.00	-
PCV-08-SS-MM	1/2" Male NPT	1/2" Male NPT	73.00	34.00	22.00	-
PCV-08-08-SS-MOD	1/2" Male NPT	1/2" OD	76.00	34.00	22.00	22.00
PCV-08-M12-SS-MOD	1/2" Male NPT	12mm OD	76.00	34.00	22.00	22.00
PCV-M12-SS-OD	12mm OD	12mm OD	79.00	34.00	22.00	22.00
PCV-10-SS-OD	5/8" OD	5/8" OD	106.00	60.00	32.00	25.40
PCV-M16-SS-OD	16mm OD	16mm OD	106.00	60.00	32.00	25.40
PCV-12-SS-OD	3/4" OD	3/4" OD	106.00	60.00	32.00	25.40
PCV-12-SS-FF	3/4" Female NPT	3/4" Female NPT	84.00	-	35.00	-
PCV-12-SS-MM	3/4" Male NPT	3/4" Male NPT	99.00	60.00	32.00	-
PCV-12-12-SS-MOD	3/4" Male NPT	3/4" OD	102.50	60.00	32.00	28.50
PCV-16-SS-OD	1" OD	1" OD	118.00	65.00	35.00	38.00
PCV-16-SS-FF	1" Female NPT	1" Female NPT	98.50	-	40.50	-
PCV-16-SS-MM	1" Male NPT	1" Male NPT	115.00	65.00	35.00	-
PCV-16-16-SS-MOD	1" Male NPT	1" OD	118.00	65.00	35.00	38.00
PCV-M25-SS-OD	25mm OD	25mm OD	118.00	65.00	35.00	38.00

All dimensions are in millimeters unless otherwise specified. Dimensions are for reference only, Subject to change with out prior notice.



PANAM ENGINEERS LTD.

An ISO 9001:2008 Company

203, Jaisingh Business Center, Parsiwada, Sahar Road, Andheri (East), Mumbai - 400 099. INDIA
Tel.: +91 22 2831 5555 / 57 / 58 • Fax: +91 22 2831 5574 • email: sales@panamengineers.com / sales@panam.in
website: www.panamengineers.com / www.panam.in