

diaphragm pressure switches ATEX flameproof enclosure



**Certificate :
0425 ATEX 2634**



PED 2014/68/EU



II 2 GD Ex db IIC T6 Ex tb IIIC T85°C

These flameproof electrical apparatus comply with European Directive ATEX 2014/34/EU, for group II and category 2 GD. They are suitable for a variety of uses in hazardous zones 1, 2, 21 and 22 in which the use of flameproof instrument is required. The sensing element is a metallic diaphragm and acts directly on the microswitch through a self-centering pivot. The simplicity of the design, without levers, cams or similar mechanisms, gives the unit an exceptionally long working life.

3.45 - Standard Model

Type of ignition protection as per EN 60079-0 and EN 60079-1:
Ex db IIC T6 Ex tb IIIC T85°C.

Protection: IP 65 as per EN 60529.

Ranges: 0...40 mbar/0...600mbar; -40...0 mbar/-600...0 mbar.

Electrical specifications: N. 1...2 SPDT microswitches (see microswitches table).

Differential: fixed.

Repeatability: ≤ 1% of the full setting value.

Set-point adjustment: internal, micrometric adjustable.

Earth contacts: N. 1 internal, N. 1 external.

Process fluid temperature: -4...+140°F (-20...+60 °C).

Ambient temperature: -4...+149°F (-20...+65 °C).

Thermal drift: ≤ 0,027% / °F (≤ 0,05% / °C).

Process connection: AISI 316L st.st.

Elastic element: AISI 316 Ti st.st. diaphragm VITON gasket.

Case: aluminium, blue polyurethane painted.

Cover: aluminium, beige polyurethane painted.

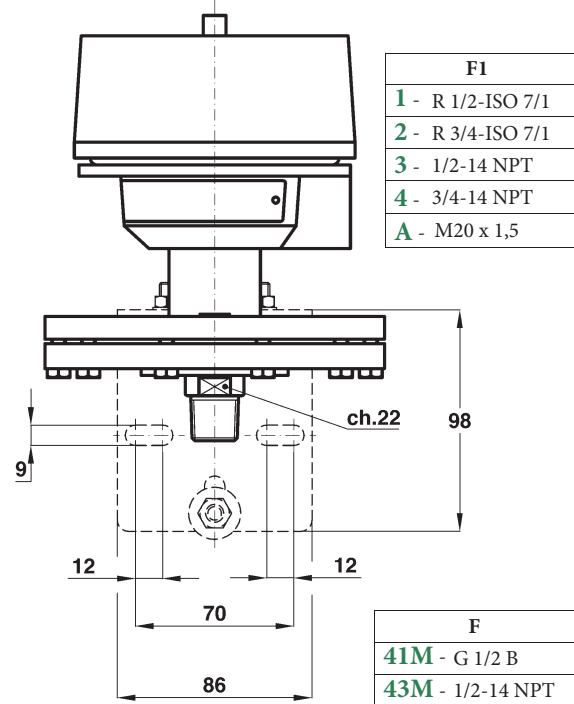
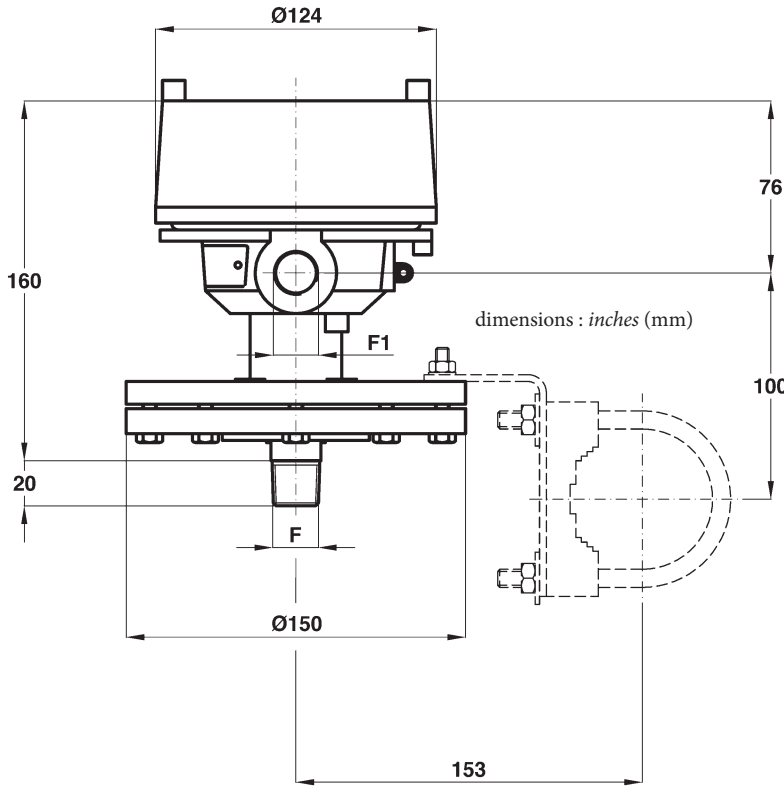
Tag: AISI 304 st.st., etched.

Tell-tale vents: polypropylene.

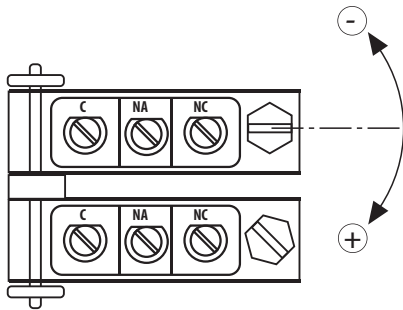
Setting ranges (1)	Test pressure	Differential 1 micro (2)	Differential 2 micro (2)
5...40 mbar	0,5 bar	4 mbar	5 mbar
5...60 mbar	0,5 bar	4 mbar	5 mbar
6...100 mbar	0,5 bar	4 mbar	6 mbar
9...160 mbar	0,5 bar	6 mbar	9 mbar
9...250 mbar	1 bar	6 mbar	9 mbar
15...400 mbar	1 bar	10 mbar	15 mbar
18...600 mbar	1 bar	12 mbar	18 mbar

(1) also available for vacuum and compound

(2) differential and minimum set-point values for microswitches cod. I, L, N, R, S, T, U, V are 300% of those shown in table.



Set- point adjustment



MICROSWITCHES
ohmic load

Simple / Doble	Type	250	125	24
		Vac	Vac	Vdc
C/D	std.	15A	15A	0,1A
G/H	SPLASH	15A	15A	0,1A
I/L	goldplated		1A	0,1A
M/P	inert gas filled	15A	15A	0,1A
N/R	goldplated and inert gas filled		1A	0,1A
S/T	SPLASH VDC	15A	15A	2A
U/V	inert gas filled VDC	15A	15A	2A

OPTIONS

M26 - PTFE diaphragm	M29 - Tantalum diaphragm
S16 - Wall mounting bracket	S31 - 2" stake's mounting bracket
T01 - Tropicalization	

(1) Monel or Hastelloy C diaphragm.

"HOW TO ORDER" SEQUENCE

Section / Model / Set-point Adjustment / Microswitch/ Electrical connection / Process connection / ATEX / Options
3 45 C, D, G, H 1 41M 2D2 M26...S31
I, L, M, P 2 43M
N, R, E 3 53M
S, T, U, V 4 97M
A