

differential pressure switches



PED 2014/68/EU

These differential pressure switches are IP 65, and suitable for a variety of applications such as: chemical, petrochemical, conventional power station where it is required to control differential pressure, level, flow. The sensing element is a metallic diaphragm with 2 metallic bellows and acts directly on the microswitch through a self-centering pivot. The simplicity of the design, without levers, cams or similar mechanism, gives the unit an exceptionally long working life.

3.29 - Standard Model

Ranges: 0...250 mbar/0...600 mbar.

Electrical specifications: N. 1...2 SPDT microswitches (see microswitches table).

Differential: fixed.

Repeatability: $\leq 1\%$ of the full setting value.

Set-point adjustment: internal, micrometric adjustable.

Protection: IP 65 as per EN 60529/IEC 529.

Electrical wiring: terminal strip.

Earth contacts: N. 1 internal.

Process temperature: $+212^{\circ}\text{F}$ max (100°C).

Ambient temperature: $-13...+149^{\circ}\text{F}$ ($-25...+65^{\circ}\text{C}$).

Thermal drift: $\leq 0,027\% / ^{\circ}\text{F}$ ($\leq 0,05\% / ^{\circ}\text{C}$).

Process connection: AISI 316 st. st.

Elastic element: AISI 316 st.st. diaphragm with N.2 AISI 316 Ti. bellows; VITON gasket.

Case: AISI 304 st.st.

Cover: AISI 304 st.st. bayonet lock.

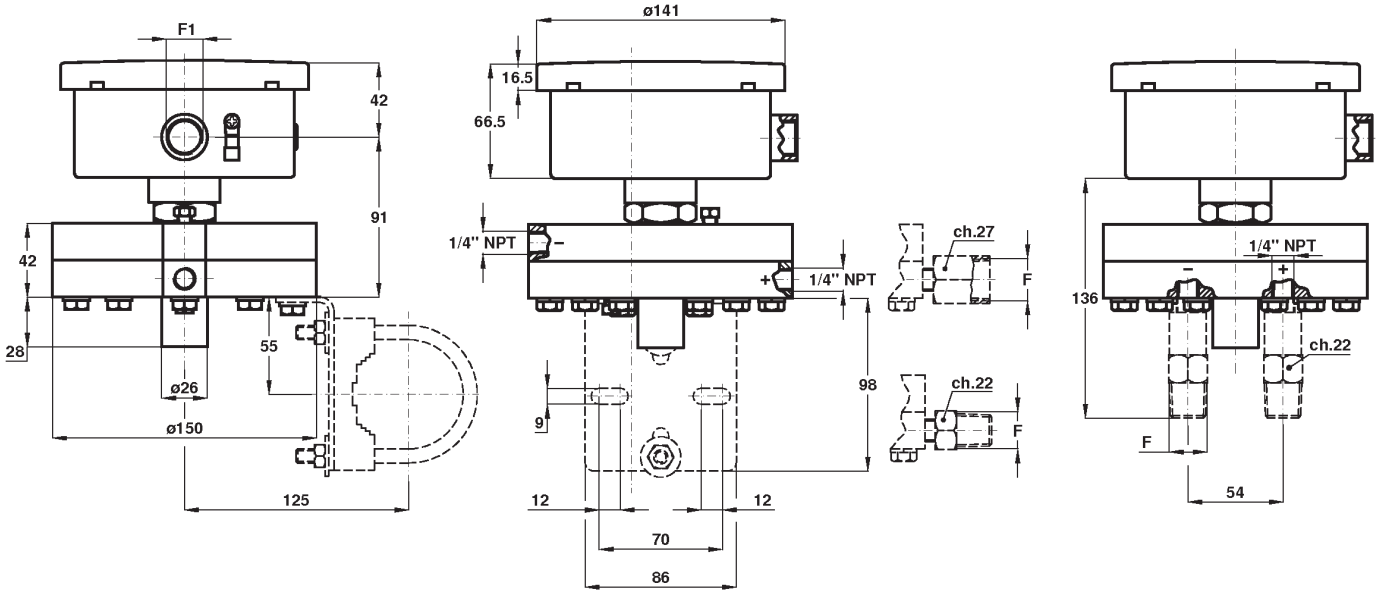
Flushing plugs: AISI 316 st.st.

Tag: AISI 304 st.st., etched.

Weight: 13.66 lbs (6,2 kg).

Setting ranges	One side static pressure	Both side static pressure	Differential 1 micro (1)	Differential 2 micro (1)
20...250 mbar	2,5 bar	4 bar	10 mbar	15 mbar
25...400 mbar	4 bar	4 bar	16 mbar	20 mbar
35...600 mbar	4 bar	4 bar	20 mbar	30 mbar

(1) differential and minimum set-point values for microswitches cod. I, L, N, R, S, T, U, V are 300% of those shown in table.

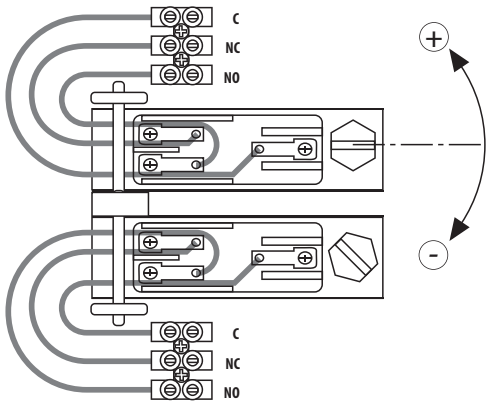


F
23F - 1/4-18 NPT F
43M - 1/2-14 NPT
43F - 1/2-14 NPT F
41M - G 1/2 A

dimensions : mm

F1
1 - R 1/2-ISO 7/1
2 - R 3/4-ISO 7/1
3 - 1/2-14 NPT
4 - 3/4-14 NPT
A - M20 x 1,5
P11 - cable gland

Set-point adjustment



MICROSWITCHES
ohmic load

Single / Double	Type	250	125	24
		Vac	Vac	Vdc
C/D	std.	15A	15A	0,1A
G/H	SPLASH	15A	15A	0,1A
I/L	goldplated		1A	0,1A
M/P	inert gas filled	15A	15A	0,1A
N/R	goldplated and inert gas filled		1A	0,1A
S/T	SPLASH VDC	15A	15A	6A
U/V	inert gas filled VDC	15A	15A	6A

OPTIONS

APV - Lower connection
P02 - Degreasing for oxygen
S31 - 2° stake's mounting bracket
T01 - Tropicalisation

"HOW TO ORDER" SEQUENCE

Section / Model / Set-point Adjustment / Microswitch / Electrical connection / Process connection /Options
3 29 A, B, G, H 1 APV P02...T01
I, L, M, P 2 23F
N, R 3 43M
S, T, U, V 4 43F
A 41M
P11

Copyright © Nuova Fima srl. All rights reserved. Any part of this publication should not be reproduced without a written Nuova Fima's srl approval



IN ORDER TO IMPROVE THEIR PRODUCTION, MESSRS. NUOVA FIMA RESERVE THE RIGHT TO THEMSELVES TO MAKE ALL THE MODIFICATIONS THAT THEY DEEM INDISPENSABLE AT ANY TIME. UPDATED DATA-SHEETS ARE AVAILABLE ON SITE: www.nuovafima.com