

diaphragm pressure switch



PED 2014/68/EU

These diaphragm pressure switches are IP 55, and only suitable for applications in the chemical, petrochemical and conventional power plants. The sensing element is a metallic diaphragm and acts directly on the microswitch through a self-centering pivot. The simplicity of the design, without levers, cams or similar mechanism, gives the unit an exceptionally long working life.

3.10 - Standard Model

Ranges: 0...1 bar/0...25 bar; -1...0 bar.

Electrical specifications: N. 1 SPDT microswitches. (see microswitches table)

Differential: fixed.

Repeatability: ≤ 1% of the full setting value.

Set-point adjustment: internal, micrometric adjustable.

Protection: IP 55 as per EN 60529/IEC 529.

Cable exit: cable gland (cables \varnothing 0.24...0.43" - 6...11 mm).

Electrical wiring: terminal screw, directly on microswitch.

Earth contacts: N. 1 internal.

Process temperature: +212°F max (100°C).

Ambient temperature: -13...+149°F (-25...+65 °C).

Thermal drift: ≤ 0,027% / °F (≤ 0,05% / °C).

Process connection: anticorodal aluminium blue anodized, 1/4" NPT F.

Elastic element: AISI 316 st.st. diaphragm for pressure ranges ≤ 2,5 bar; carbon steel diaphragm covered with AISI 316 st.st. for pressure ranges 4...25 bar.

Gasket: PTFE.

Case: anticorodal aluminium blue anodized.

Cover: anticorodal aluminium yellow anodized.

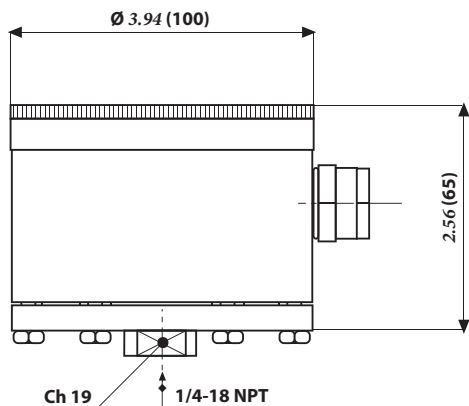
Tag: AISI 304 st.st. silk-screen painted.

Weight: 1.87 (0,85 kg).

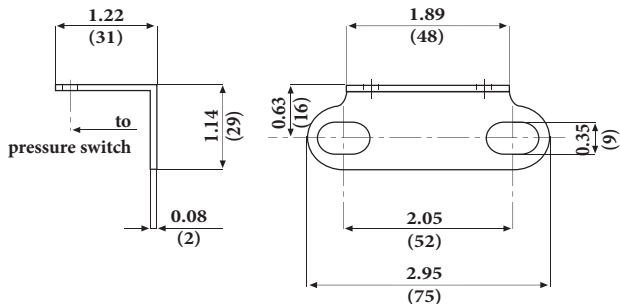
Setting ranges	Test pressure	Differential 1 MICRO (2)
0,05...1 bar (1)	1,3 bar	40 mbar
0,05...1,6 bar (1)	2 bar	40 mbar
0,06...2,5 bar (1)	3 bar	50 mbar
0,08...4 bar	5 bar	60 mbar
0,12...6 bar	8 bar	100 mbar
0,15...10 bar	12 bar	120 mbar
0,25...16 bar	20 bar	200 mbar
0,4...25 bar	30 bar	300 mbar

(1) available also for vacuum & compound.

(2) differential and minimum set-point values for microswitches cod. I, N, S, U are 300% of those shown in table.

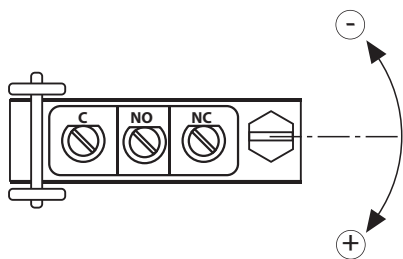


dimensions : inches (mm)



Walls mounting bracket (Cod. **S16**)

Set-point adjustment



MICROSWITCHES
ohmic load

Single	Type	250	125	24
		Vac	Vac	Vdc
C	std.	15A	15A	0,1A
G	SPLASH	15A	15A	0,1A
I	goldplated		1A	0,1A
M	inert gas filled	15A	15A	0,1A
N	goldplated and inert gas filled		1A	0,1A
S	SPLASH VDC	15A	15A	6A
U	inert gas filled VDC	15A	15A	6A

”HOW TO ORDER” SEQUENCE

Section / Model / Set-point Adjustment / Microswitch / Electrical connection / Process connection / Options

3 10

C, G
I, M
N
S, U

23F - 1/4 NPT F S16

